

WARNING

Before use:

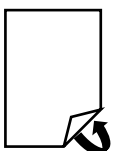
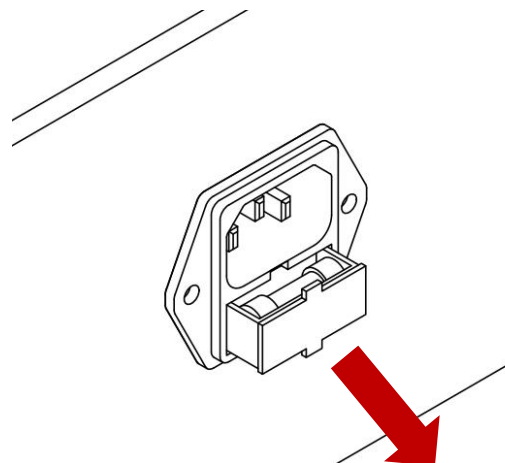
The AC voltage selector is set at 120V in the factory. For use within Europe the selector **should** be set to 230V. **Otherwise irreversible damage will occur.**

The AC voltage selection is done by inserting the fuse holder (with the appropriate fuse) in the right position into the IEC socket. You will find the appropriate fuse in a white envelope enclosed.

Follow the **five** steps below for a proper set-up. If you require any assistance, please let us know.

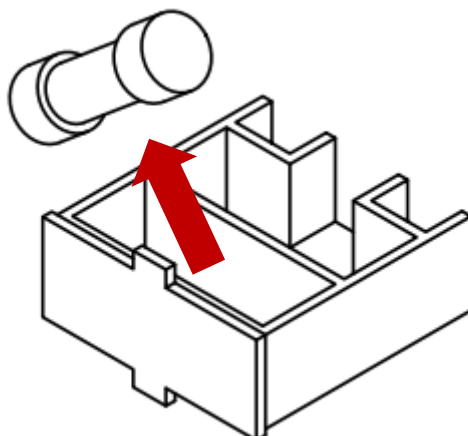
Step 1: Find the location of the fuse holder on the back of the amplifier

Step 2: Remove the fuse holder.

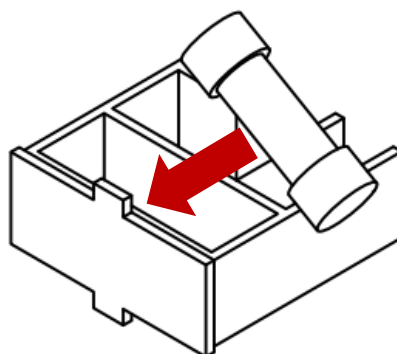


Please continue on overleaf

Step 3: Remove fuse.



Step 4: Insert EU fuse (supplied in the white envelope) into the fuse holder.



Step 5: Rotate fuse holder 180 degrees, insert the fuse holder while the small arrow at 220 – 240 points downward and matches the arrow on the IEC socket. The amplifier is now set for 230V operation.

