

Model No.: DX25TG59-04

Rev: 1

Product Line: Tymphany

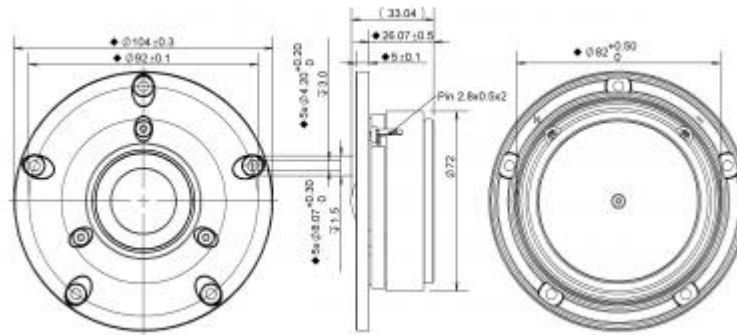
Last Update: 2017-03-03 02:00:02

Product Description

This DX family tweeter features a 4 ohm 25 mm ferrofluid-cooled voice coil, a damped silk diaphragm with large surround roll to produce a low resonant frequency, and a ferrite magnet motor which adds heat sinking for power handling capacity. The faceplate features recessed mounting holes to minimize reflections.



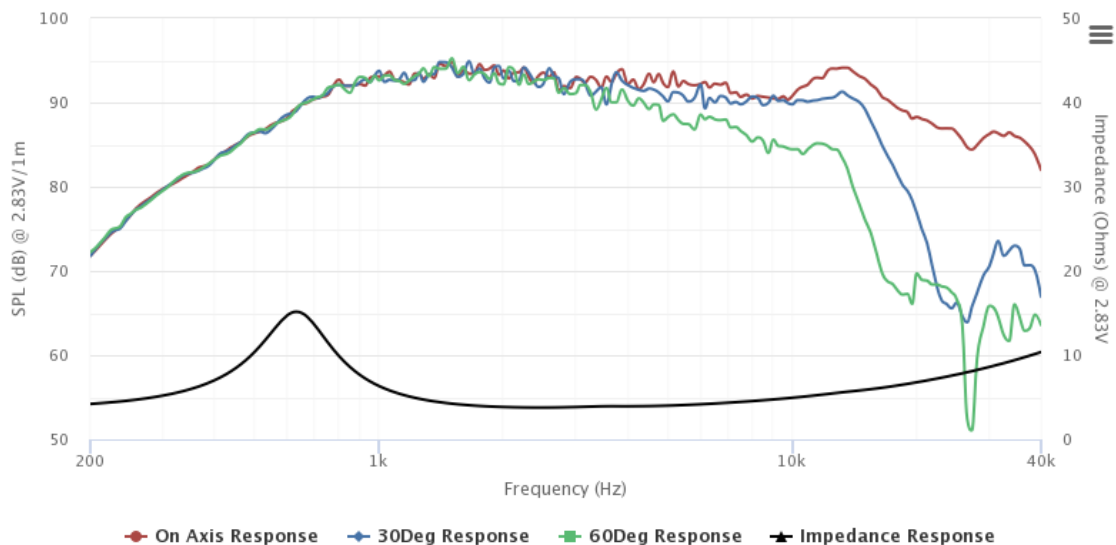
Mechanical Drawing



Specifications

| | | | | | | | |
|-------------------------------|-------------|--------|---------|-----------|----------------------------|------|--------------|
| DC Resistance | Revc | Ohms | 2.93 | 5.0% | Energy Bandwidth Product | EBP | (1/Qes)*fs |
| Minimum Impedance | Zmin | Ohms | 3.78 | 7.5% | Moving Mass | Mms | g |
| Voice Coil Inductance | Le | mH | 0.02 | | Suspension Compliance | Cms | um/N |
| Resonant Frequency | Fs | Hz | 640.02 | 15% | Effective Cone diameter | D | cm |
| Mechanical Q Factor | Qms | | 2.46 | | Effective Piston Area | Sd | cm^2 |
| Electrical Q Factor | Qes | 0.74 | | | Effective Volume | Vas | L |
| Total Q Factor | Qts | | 0.57 | | Motor Force Factor | BL | Tm |
| Ratio Fs/Qts | F | Fs/Qts | 1128.79 | | Motor Efficiency Factor | β | (T*M^2)/Ohms |
| Half Space Sensitivity @2.83V | db@2.83V/1M | dB | 93.02 | +/- 1.0db | Voice coil former Material | VCfm | ASV |
| Half Space Sensitivity @1W/1M | db@1W/1M | dB | 89.8 | +/- 1.0db | Voice coil inner diameter | VCd | mm |
| Gap Height | Gh | mm | 2 | | Rated Noise Power | P | W |
| Maximum Linear Excursion | Xmax | mm | 0.1 | | Test Spectrum Bandwidth | | 2.5KHz-20KHz |
| Ferrofluid Type | FF | | APGS11N | | Driver Size | Inch | 25 mm |
| Driver Mass | Kg | 0.5 | | | | | |

Frequency and Impedance Response



Highcharts.com