



AS190-9-251 CELL ALUMINIUM-SANDWICH BASS

The AS190-9-252 is an 8 inch bass driver with [aluminum honeycomb sandwich dome](#), being the first in an entirely new approach to accuton speaker design. An ideal acoustical center has been achieved, which is identical with our CELL tweeters and midranges. Its novel designed overhung motor combines the advantages of traditional over- and underhung designs, delivering high linear excursion and ultra low distortion. An exceptionally hard aluminum sandwich dome was developed for the CELL bass drivers that allows for negligible delay and energy storage. The hidden surround serves for reduced outer diameter and linear excursion of +/- 16mm. A new developed spider shape makes huge excursion without compression possible.

We recommend our AS190-9-252 for an application from 30 Hz – 1000 Hz.

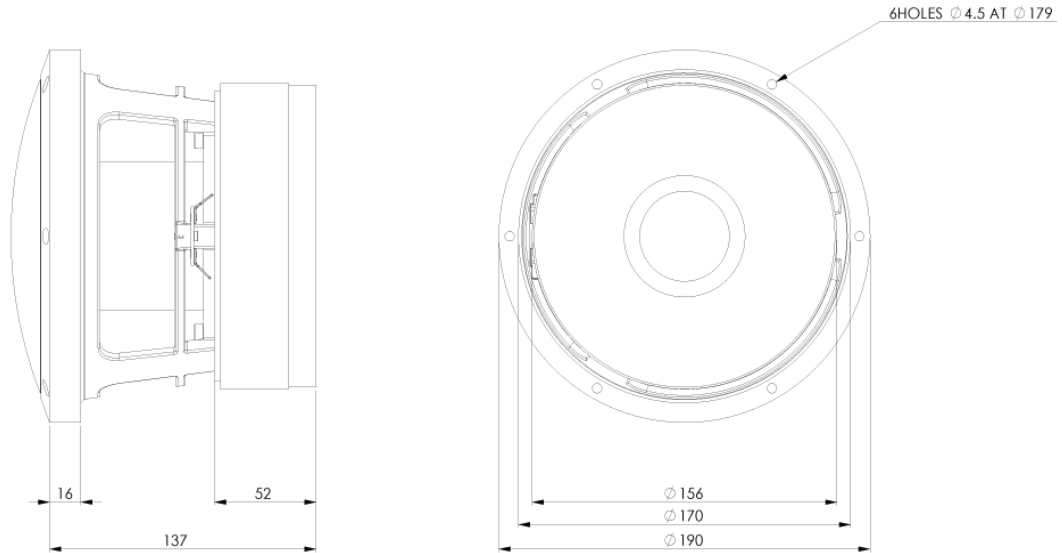
Wir empfehlen unseren AS190-9-251 für die Anwendung von 30 Hz - 1000 Hz.

VENTED BOX DESIGN PARAMETERS

Vb: 24L, Port Durchmesser: 70mm, Länge: 300mm, Fres: 36Hz, F-3dB: 36Hz, Q: 0.58 (optimal)
Vb: 35L, Port Durchmesser: 70mm, Länge: 245mm, Fres: 33Hz, F-3dB: 30Hz, Q: 0.50 (extendedBass)

CLOSED BOX DESIGN PARAMETERS

Vb: 11L, -9dB @ 40Hz, F-3dB: 63Hz, Q: 0.71 (optimal)
 Vb: 35L, -7dB @ 40Hz, F-3dB: 70Hz, Q: 0.50 (extended Bass)



Dome material		Aluminium-Sandwich
Application		Bass
Overall diameter		190 MM
Cutout Diameter/Square		170 MM
Overall depth		137 MM
Motor assembly depth		52
Motor assembly diameter		156

MAIN FEATURES

Full featured cell concept
 Ideal acoustic center
 No compression design
 Proprietary motor system
 35 HZ - 1000 HZ in vented Box

MECHANICAL DATA

Specification	Value	Unit
Overall diameter	190	mm
Cutout Diameter/Square	170	mm
Min. frontplate thickness	16	mm
Overall depth	137	mm
Motor assembly depth	52	mm
Motor assembly diameter	156	mm
Screwfitting	DIN 7984 / Ø 4.50	mm
Terminal	+: 6.3 x 0.8 / -: 4.8 x 0.8	mm
Shipping weight (pair)	14	Kg
Shipping box size (pair)	245/440/245	mm

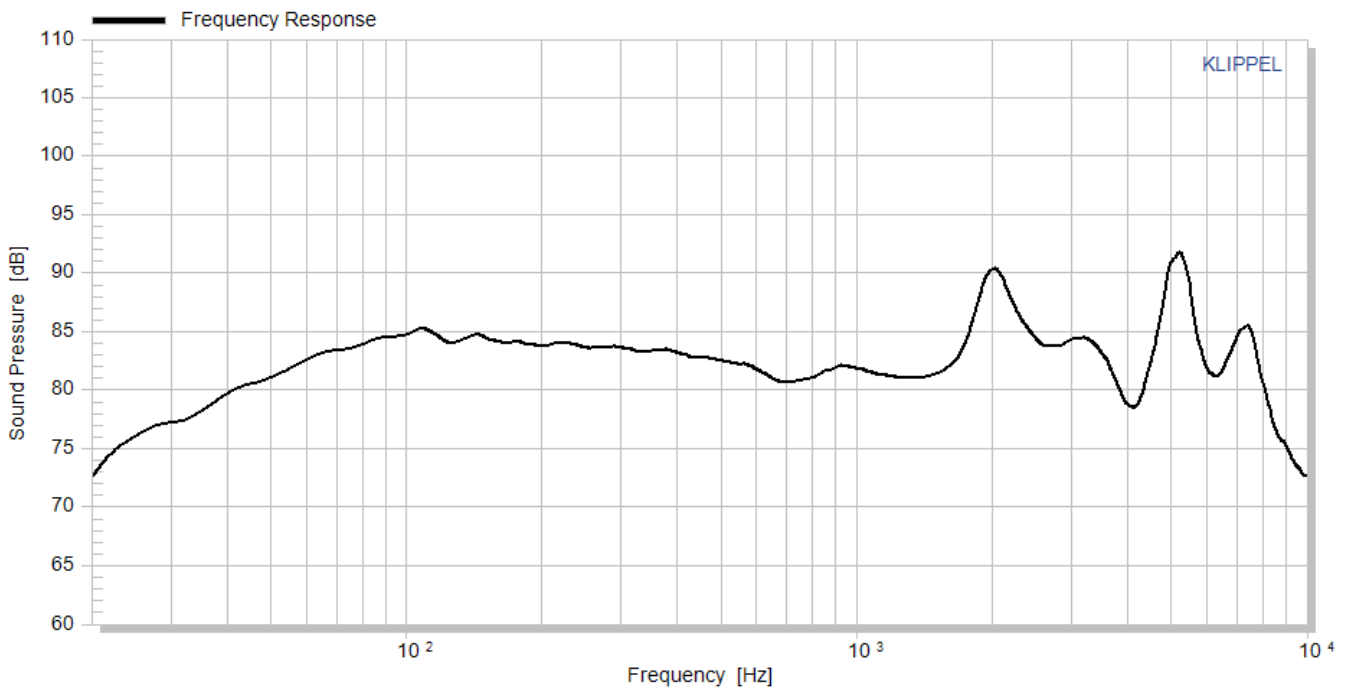
THIELE/SMALL PARAMETERS

Specification		Value	Unit
Sensitivity (2.83V / 1m)	Spl	84	dB
DC-resistance	Re	8.6	Ohm
Resonance frequency	Fs	33.4	Hz
Equivalent volume of air	Vas	26.7	ltr
Mechanical Q	Qms	4.75	
Electrical Q	Qes	0.49	
Total Q	Qts	0.44	
Effective piston area	Sd	202	Cm2
Moving mass	Mms	49.4	g
Suspension compliance	CMs	0.46	mm/n
Mechanical resistance	Rms	2.18	Kg*s

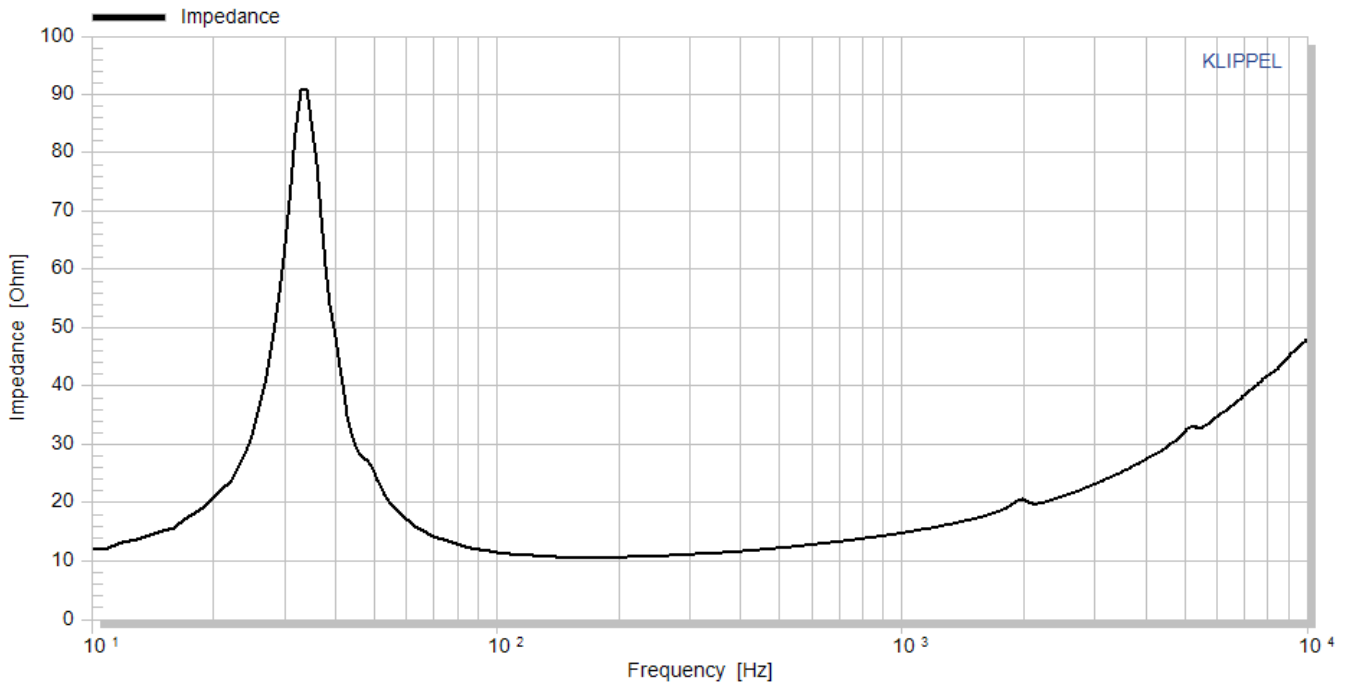
VOICE COIL PARAMETERS

Specification		Value	Unit
Power handling	P	250	W
Linear excursion	Xmax	+/-9	mm
Voice coil diameter		78	mm
Voice coil former material		Ti	
Voice coil material		CCAW	
Voice coil inductance	Le	1.05	mH
Force factor	Bl	13.5	N/A
Motor type		Overhung	
Ferrofluid filling		No	

FREQUENCY RESPONSE [DB]



IMPEDANCE [OHM]



HARMONIC DISTORSION[%]

