



CREATIVE SOUND SOLUTIONS

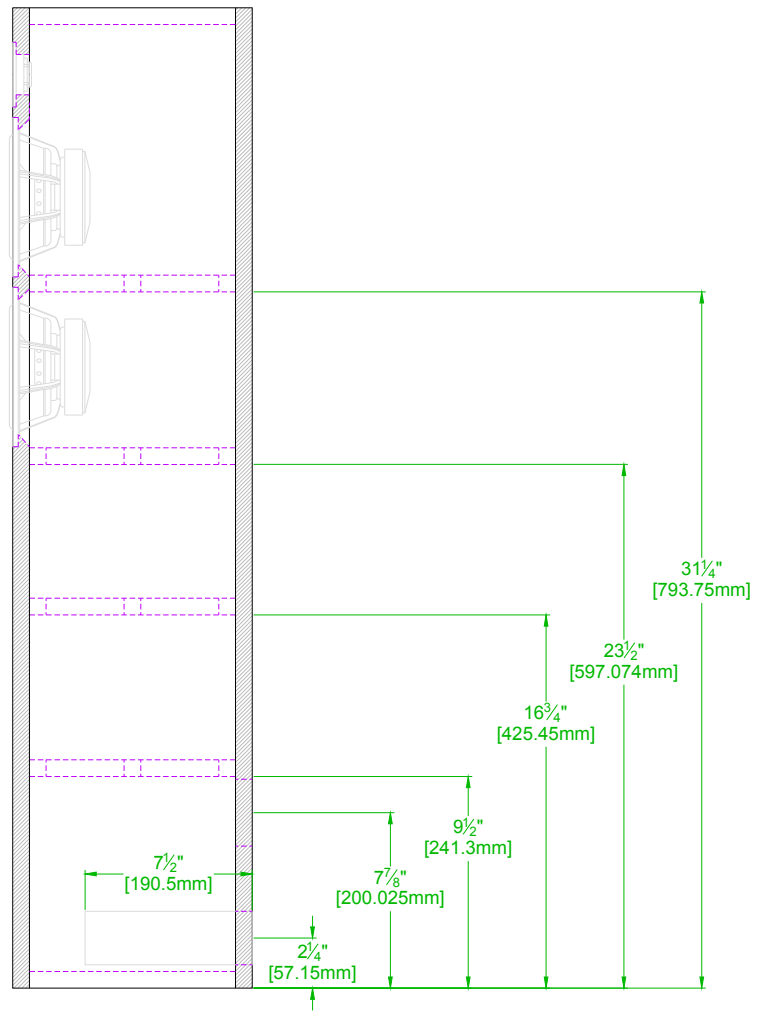
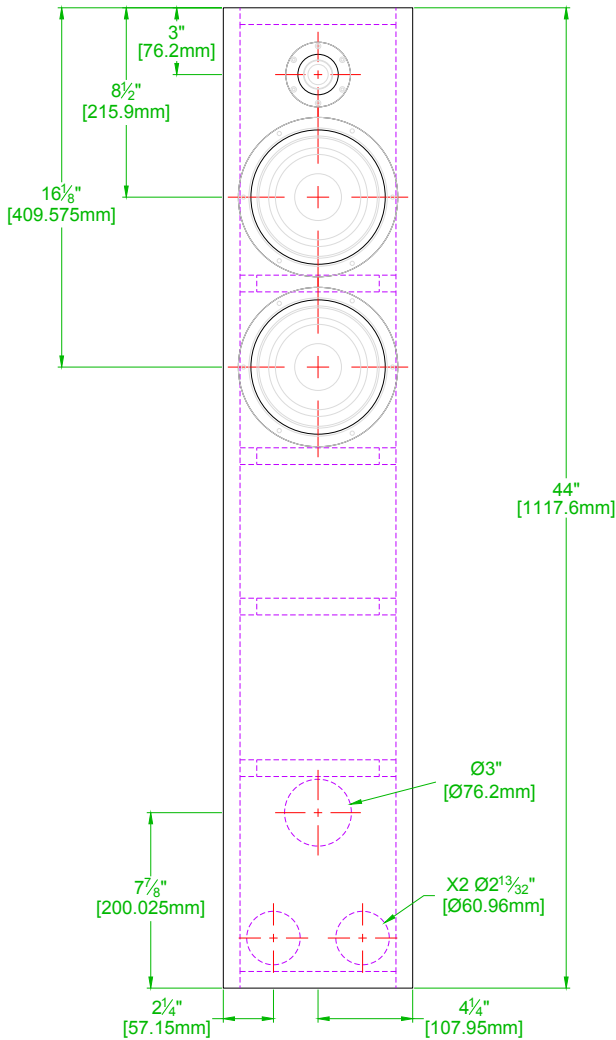
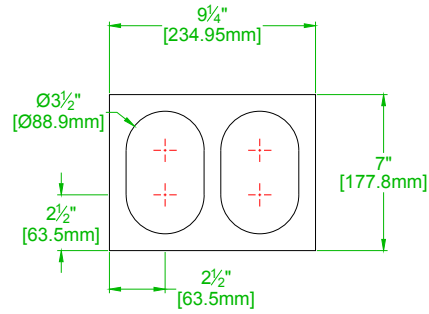
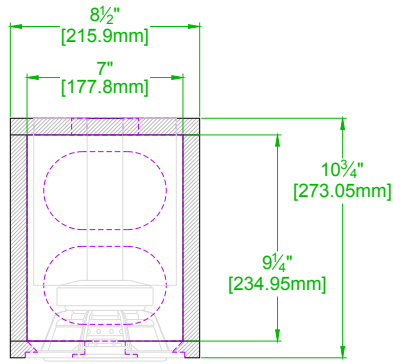
CRITON 2TD TOWER
CSS LD22 + LDW7

17 - SEPTEMBER - 2021



CSS CRITON 2TD TOWER IS A 2-WAY TMM UTILIZING ULTRA LOW DISTORTION DRIVERS
CSS LDW7 MID WOOFER X2 AND LD22 SOFT DOME TWEETER INTEGRATE SEAMLESSLY
FREQUENCY RESPONSE 33Hz - 24KHz +/-3dB

CRITON 2TD TOWER
17-SEPTEMBER-2021
DESIGNED BY D POINSETT/K ARMES | DRAWN BY MM
© 2017-18 CREATIVE SOUND SOLUTIONS, LCC

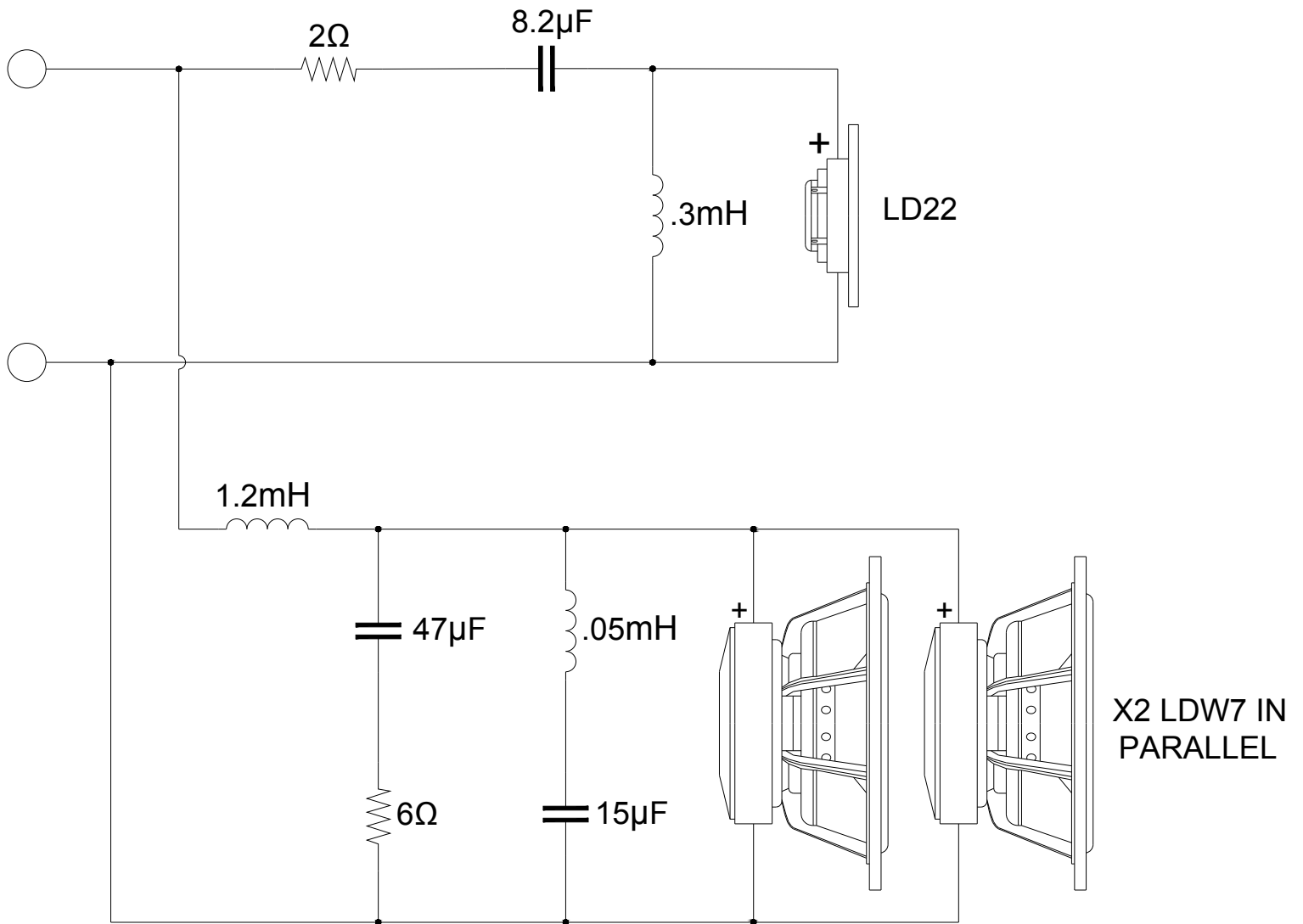


NOTES:

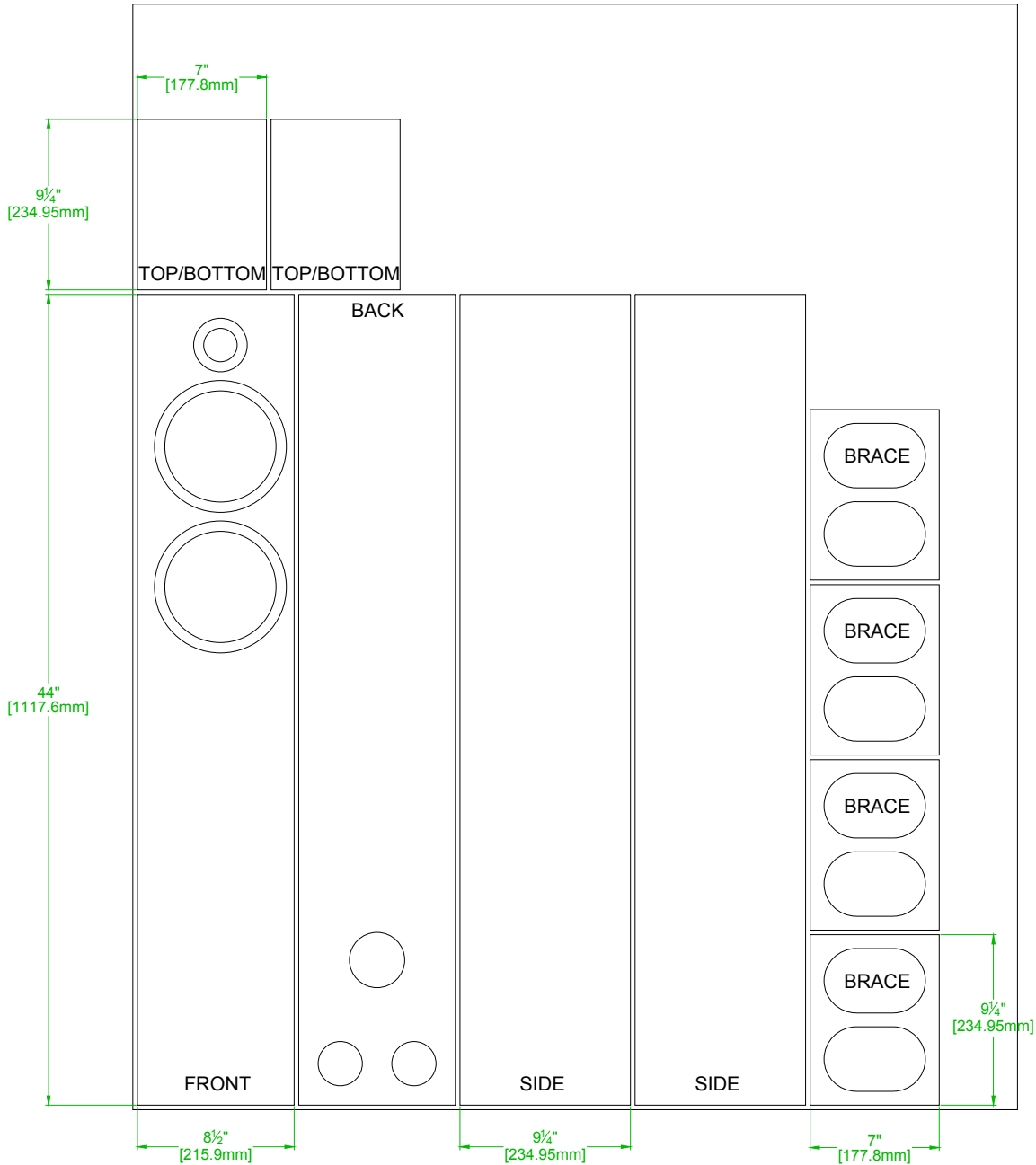
- 1) USES CSS LD22 TWEETER AND CSS LDW7 MIDWOOFER
- 2) DRAWN WITH 1/2" [19.05MM] MATERIAL. QUALITY PLYWOOD OR MDF RECOMMENDED
- 3) LINE WALLS WITH FIBERGLASS, WOOL, OR COTTON FELT
- 4) CHAMFER OR ROUND-OVER THE BACK OF LDW7 BAFFLE CUT OUT



CRITON 2TD TOWER DIMENSIONS
 17-SEPTEMBER-2021
 DESIGNED BY D POINSETT/K ARMES | DRAWN BY MM
 © 2017-18 CREATIVE SOUND SOLUTIONS, LCC



CRITON 2TD TOWER CROSSOVER
 17-SEPTEMBER-2021
 DESIGNED BY D POINSETT/K ARMES | DRAWN BY MM
 © 2017-18 CREATIVE SOUND SOLUTIONS, LCC

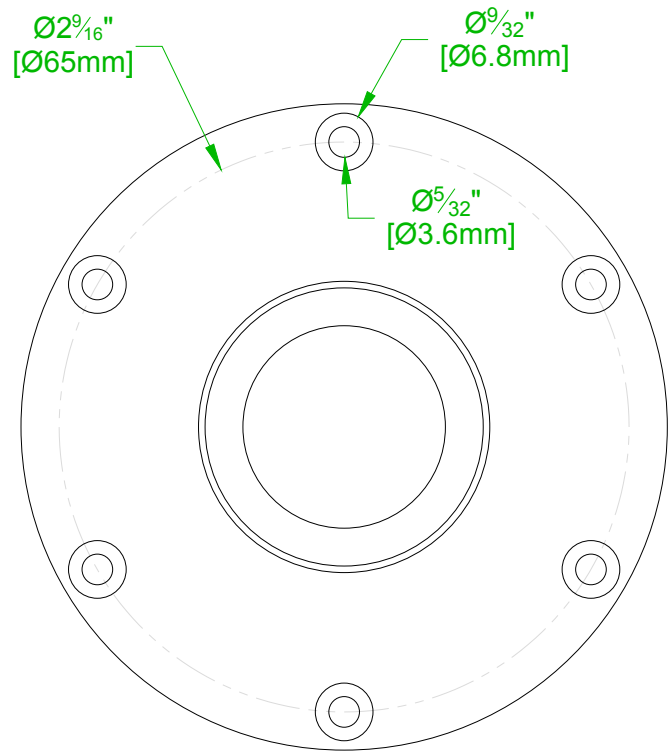
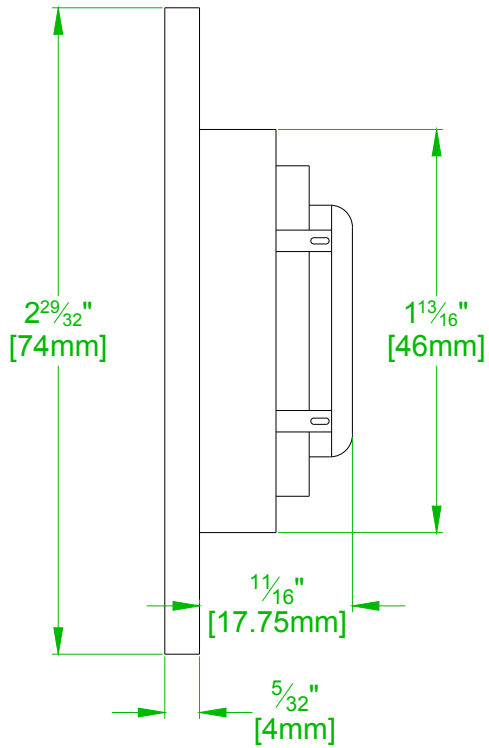


NOTES:

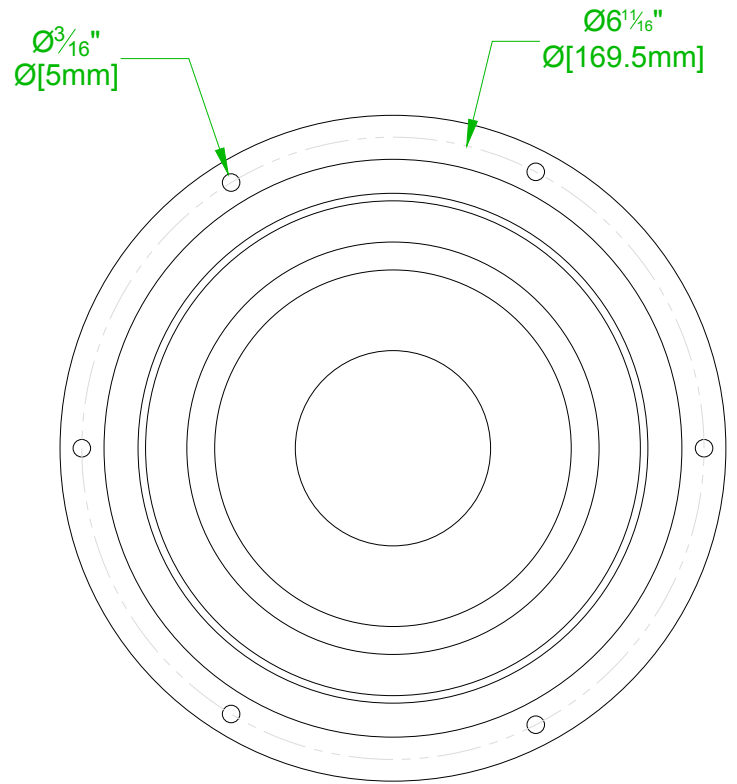
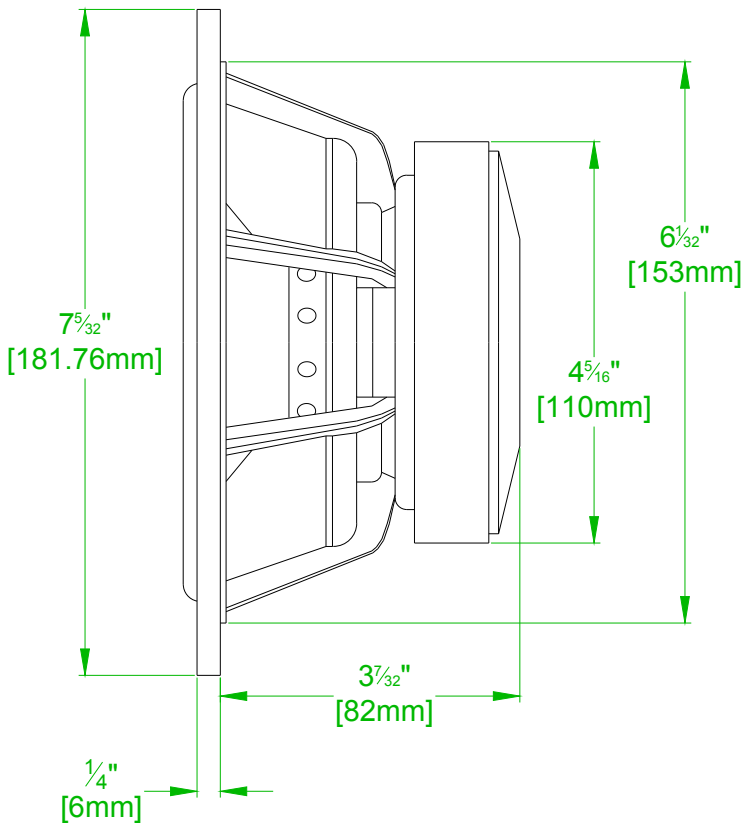
- 1) X2 5' X 4' SUGGESTED CUT OUT. 3/4" [19.05MM] QUALITY PLYWOOD OR MDF RECOMMENDED
- 2) 1/4" [6.4mm] TRIM AND KERF
- 3) BEFORE CUTTING MEASURE THE ACTUAL MATERIAL'S THICKNESS AND ADJUST PANEL SIZES AS REQUIRED



CRITON 2TD TOWER SUGGESTED CUT X2 5' X 4'
 17-SEPTEMBER-2021
 DESIGNED BY D POINSETT/K ARMES | DRAWN BY MM
 © 2017-18 CREATIVE SOUND SOLUTIONS, LCC



CSS LD22 TWEETER DIMENSIONS
 17-SEPTEMBER-2021
 DESIGNED BY D POINSETT/K ARMES | DRAWN BY MM
 © 2017-18 CREATIVE SOUND SOLUTIONS, LCC



CSS LDW7 MIDWOOFER DIMENSIONS
 17-SEPTEMBER-2021
 DESIGNED BY D POINSETT/K ARMES | DRAWN BY MM
 © 2017-18 CREATIVE SOUND SOLUTIONS, LCC