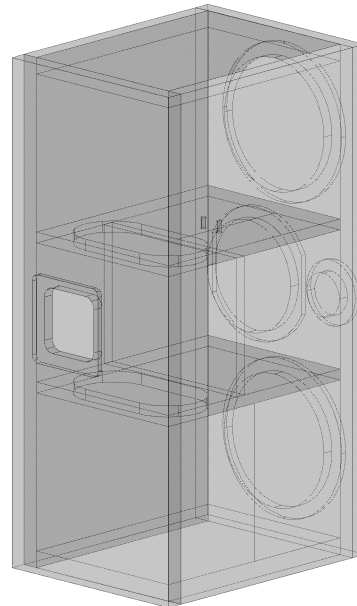
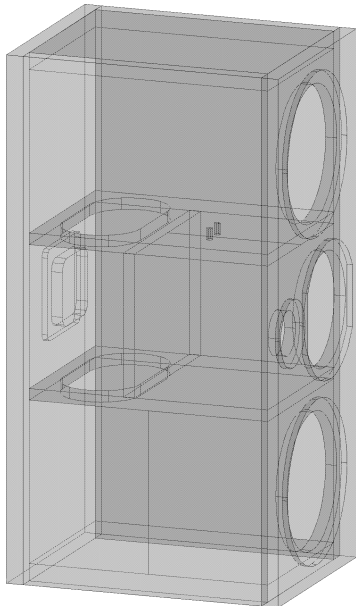
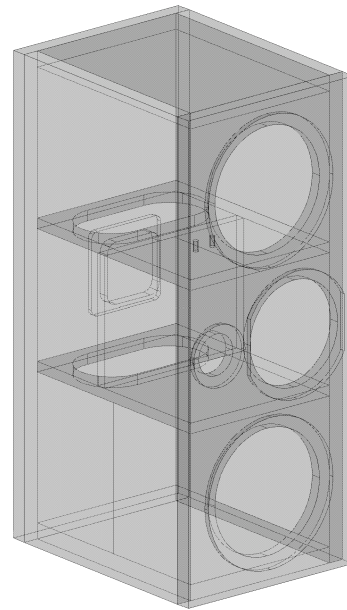
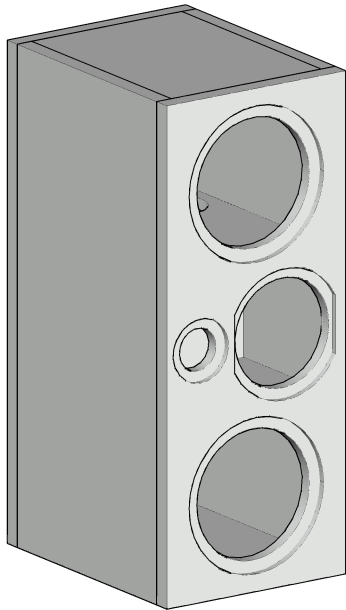




CREATIVE SOUND SOLUTIONS

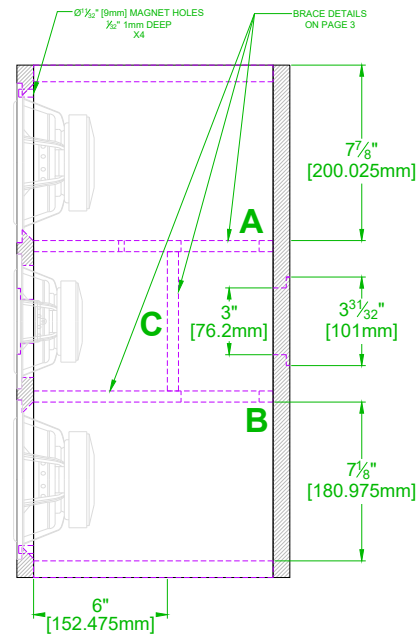
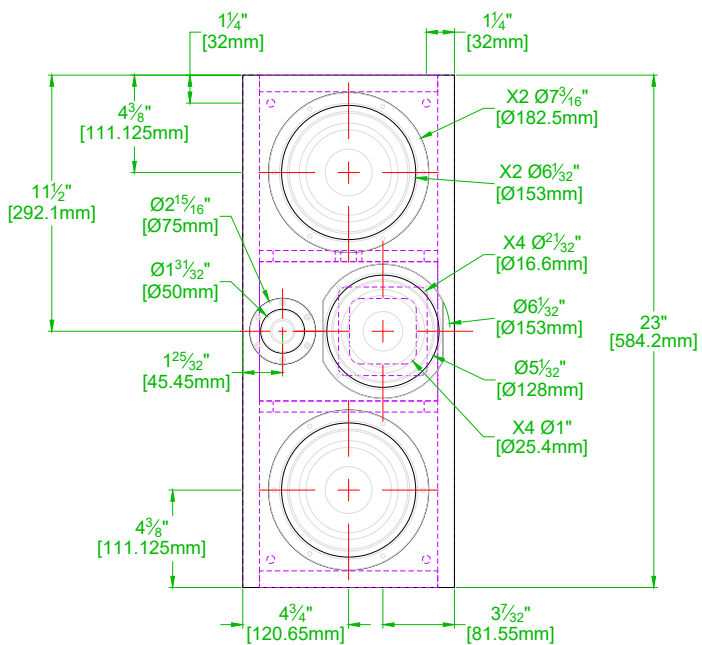
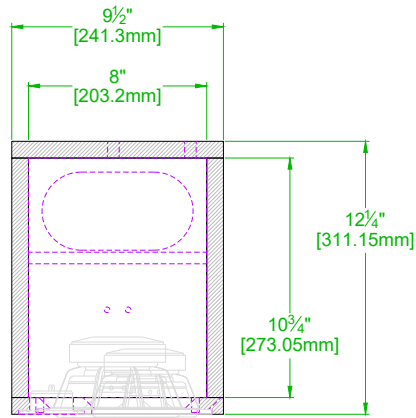
CRITON 3TD-X CENTER CHANNEL CSS LD25X + LDW6 + LDW7

10 - MAY - 2024



CSS CRITON 3TD-X IS A 3-WAY WTMW UTILIZING ULTRA LOW DISTORTION DRIVERS IN A SEALED CABINET
LD25X, LDW6, AND LDW7 X 2 INTEGRATE SEAMLESSLY
FREQUENCY RESPONSE 60HZ - 20KHZ +/-3DB

CRITON 3TD-X CENTER CHANNEL
10-MAY-2024
DESIGNED BY D POINSETT/K ARMES | DRAWN BY MM
© 2017-18 CREATIVE SOUND SOLUTIONS, LCC

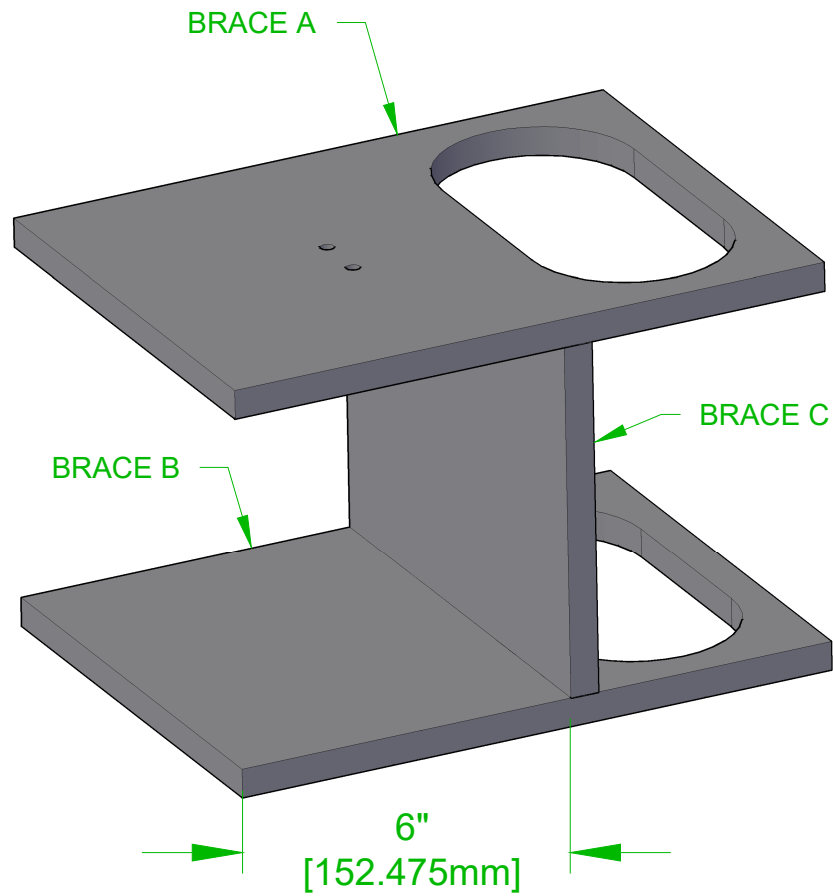
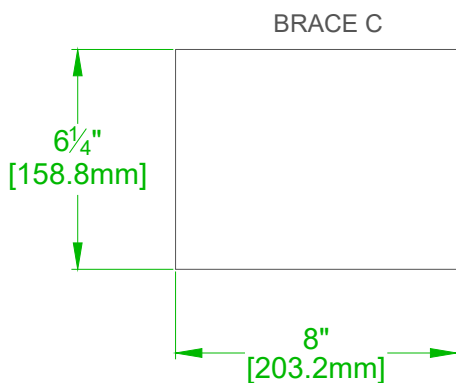
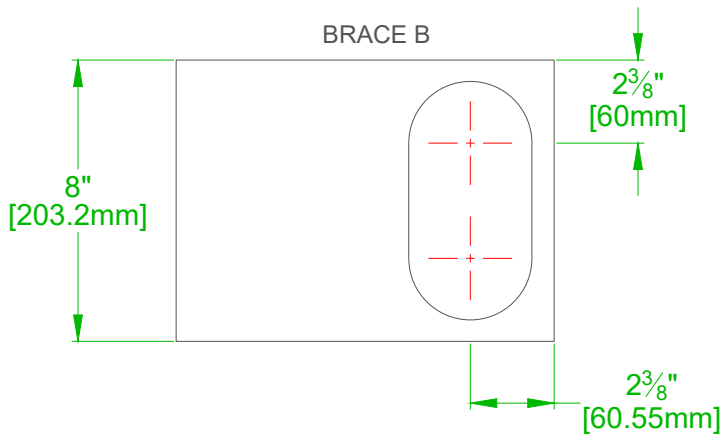
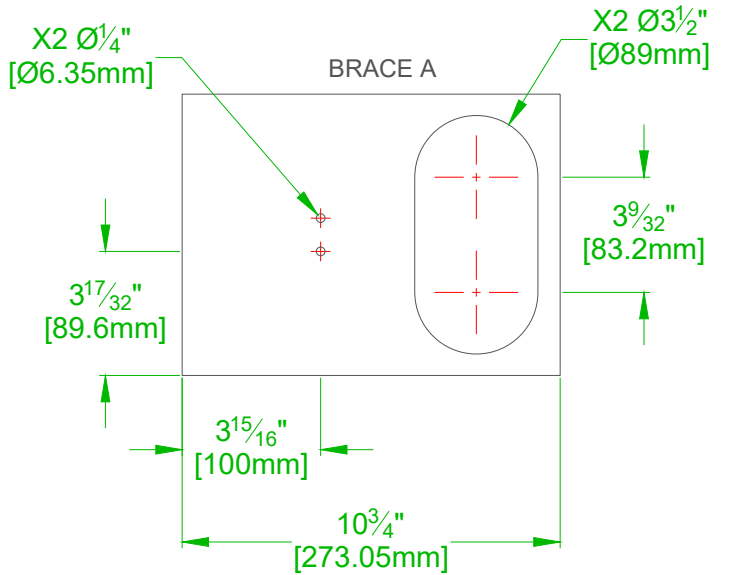


NOTES:

- 1) USES CSS LD25X TWEETER AND CSS LDW6 MIDRANGE, AND LDW7 X2 MIDWOOFER
- 2) DRAWN WITH 3/4" [19.05MM]. MATERIAL. QUALITY PLYWOOD OR MDF RECOMMENDED
- 3) BRACES DRAWN WITH 1/2" [12.7MM]. MATERIAL. QUALITY PLYWOOD OR MDF RECOMMENDED
- 4) LINE WALLS WITH OPEN-CELL FOAM, FIBERGLASS, WOOL, OR COTTON FELT



CRITON 3TD-X CENTER CHANNEL DIMENSIONS
 10-MAY-2024
 DESIGNED BY D POINSETT/K ARMES | DRAWN BY MM
 © 2017-18 CREATIVE SOUND SOLUTIONS, LLC



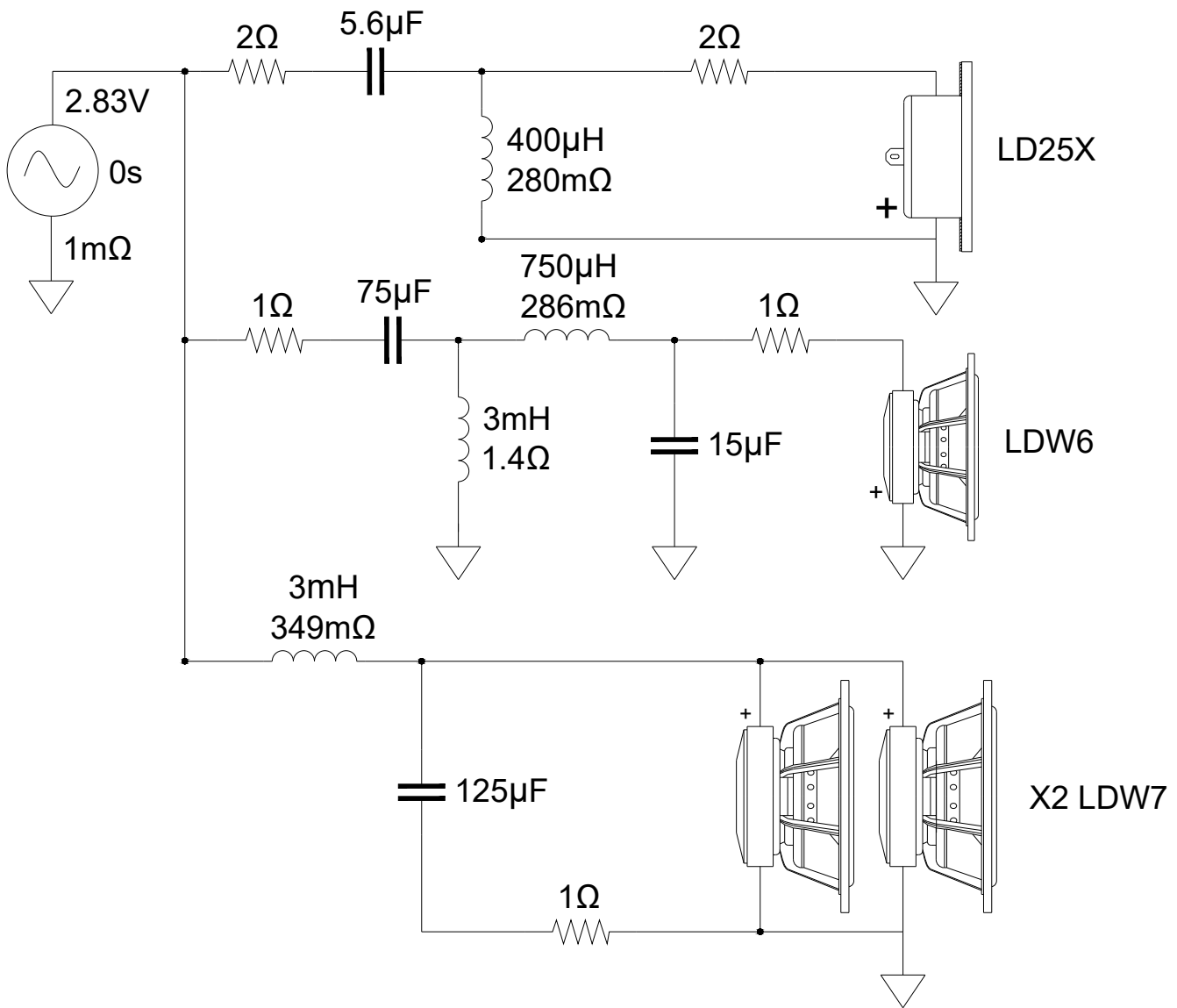
RELATIVE ORIENTATION OF BRACE A, B, C

NOTES:

- 1) DRAWN WITH $\frac{1}{2}"$ [12.7MM] MATERIAL. QUALITY PLYWOOD OR MDF RECOMMENDED
- 2) BRACES SHOULD GO IN THIS ORDER FROM TOP TO BOTTOM: B-A-B-B

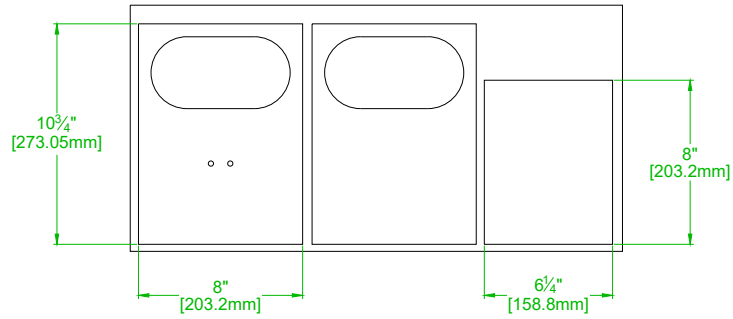


CRITON 3TD-X CENTER CHANNEL BRACE DIMENSIONS
 10-MAY-2024
 DESIGNED BY D POINSETT/K ARMES | DRAWN BY MM
 © 2017-18 CREATIVE SOUND SOLUTIONS, LCC

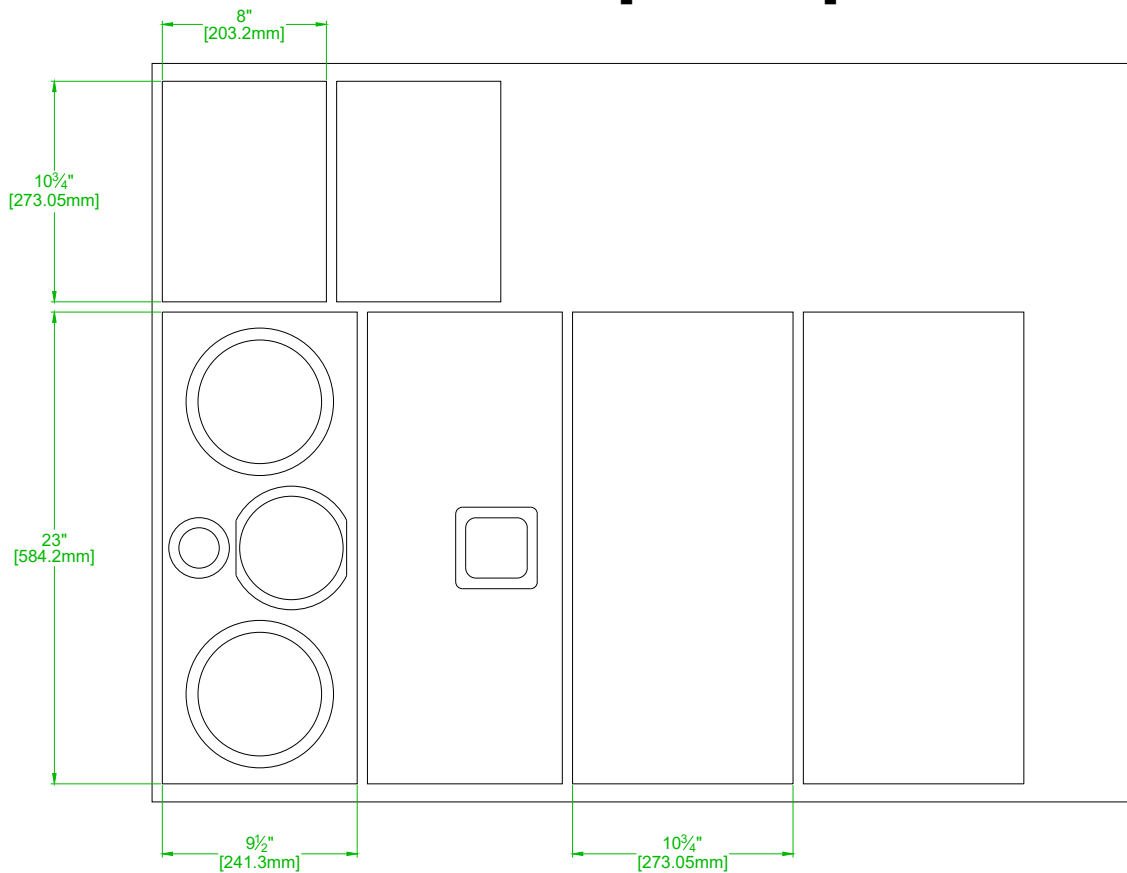


CRITON 3TD-X CENTER CHANNEL CROSSOVER
 10-MAY-2024
 DESIGNED BY D POINSETT/K ARMES | DRAWN BY MM
 © 2017-18 CREATIVE SOUND SOLUTIONS, LCC

BRACES 1/2" [12.7MM]



BASE 3/4" [19.05MM]

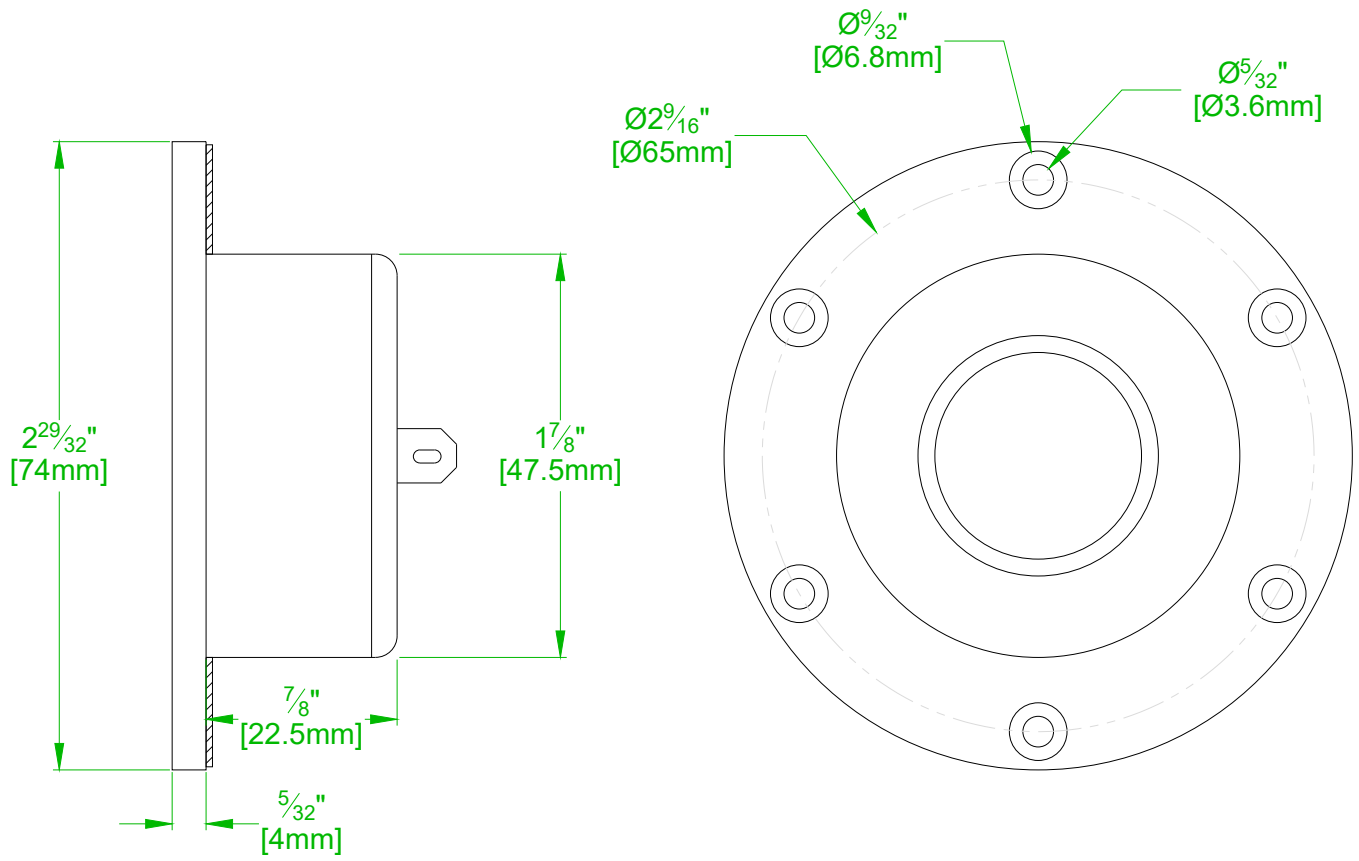


NOTES:

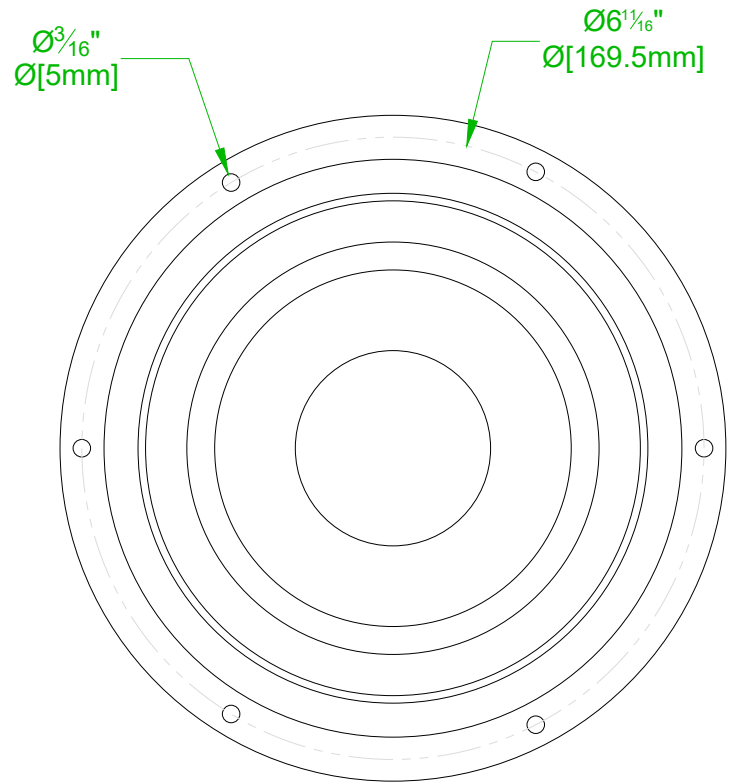
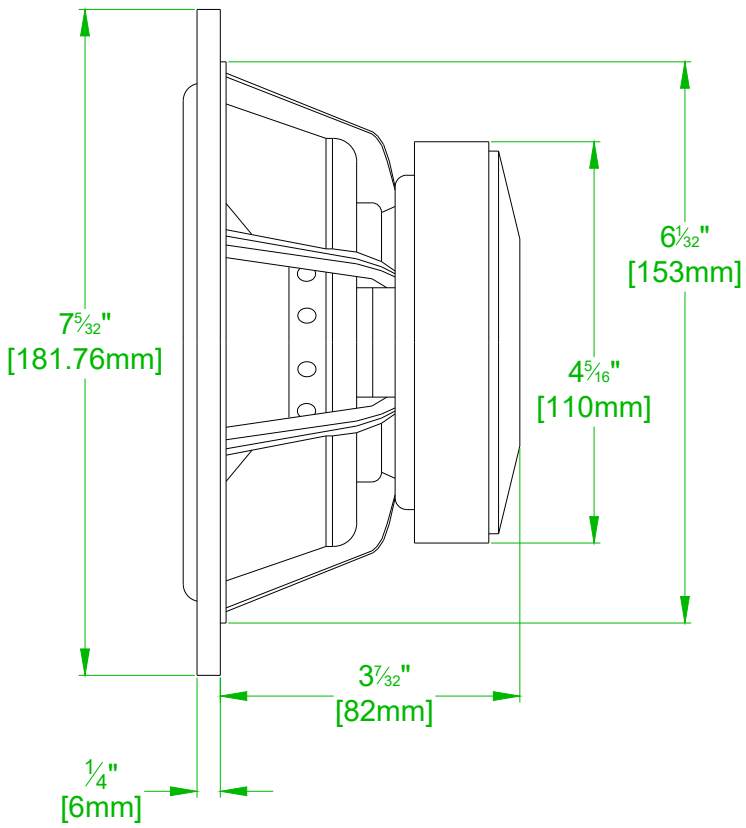
- 1) X2 5' X 3' SUGGESTED CUT OUT. 3/4" [19.05MM] QUALITY PLYWOOD OR MDF RECOMMENDED
- 2) X2 2' X 1' SUGGESTED CUT OUT. 1/2" [12.7MM] QUALITY PLYWOOD OR MDF RECOMMENDED
- 3) 1/4" [6.4mm] TRIM AND KERF
- 4) BEFORE CUTTING MEASURE THE ACTUAL MATERIAL'S THICKNESS AND ADJUST PANEL SIZES AS REQUIRED



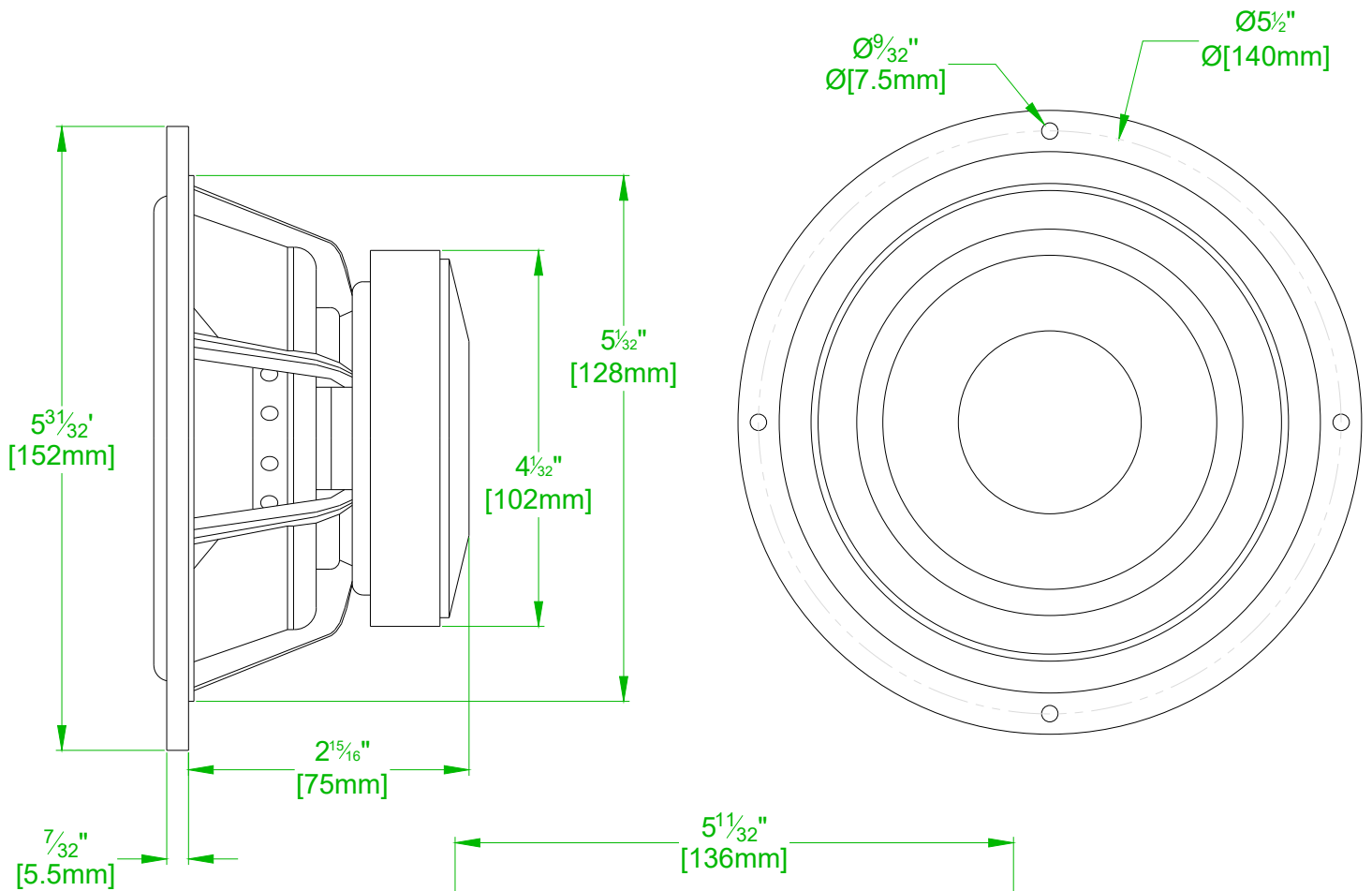
CRITON 3TD-X CENTER CHANNEL SUGGESTED CUT OUT
 10-MAY-2024
 DESIGNED BY D POINSETT/K ARMES | DRAWN BY MM
 © 2017-18 CREATIVE SOUND SOLUTIONS, LCC



CSS LD25X TWEETER DIMENSIONS
 10-MAY-2024
 DESIGNED BY D POINSETT/K ARMES | DRAWN BY MM
 © 2017-18 CREATIVE SOUND SOLUTIONS, LCC



CSS LDW7 MIDWOOFER DIMENSIONS
 10-MAY-2024
 DESIGNED BY D POINSETT/K ARMES | DRAWN BY MM
 © 2017-18 CREATIVE SOUND SOLUTIONS, LCC



TRUNCATED DIMENSION
(OTHER DIMENSIONS AS ROUND VERSION)

TRANSFER DIMENSIONS ABOVE
TO TRUNCATED VERSION ←

