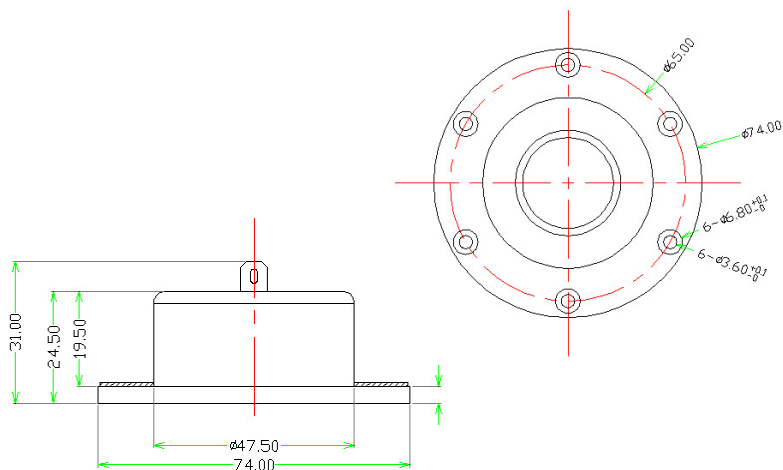




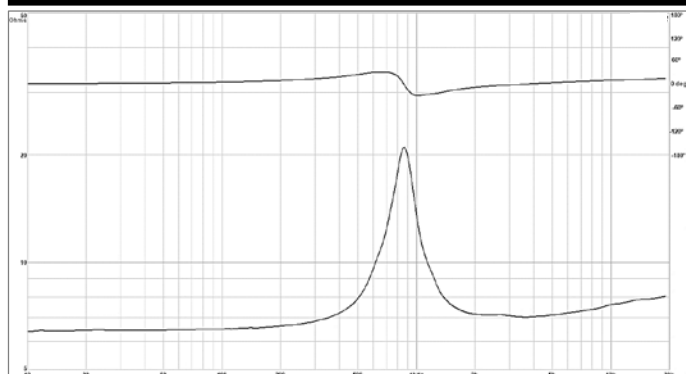
# LD25X – 25mm XBL^2 Tweeter



## Features

- XBL^2 split gap motor provides increased magnetic gap strength and size for lower distortion over a larger range of operation
- Copper cap reduces voice coil inductance and distortion, extending to end response
- 25mm silk dome provides smooth performance
- Anodized precision CNC faceplate with integrated gasket provides attractive high end look and feel

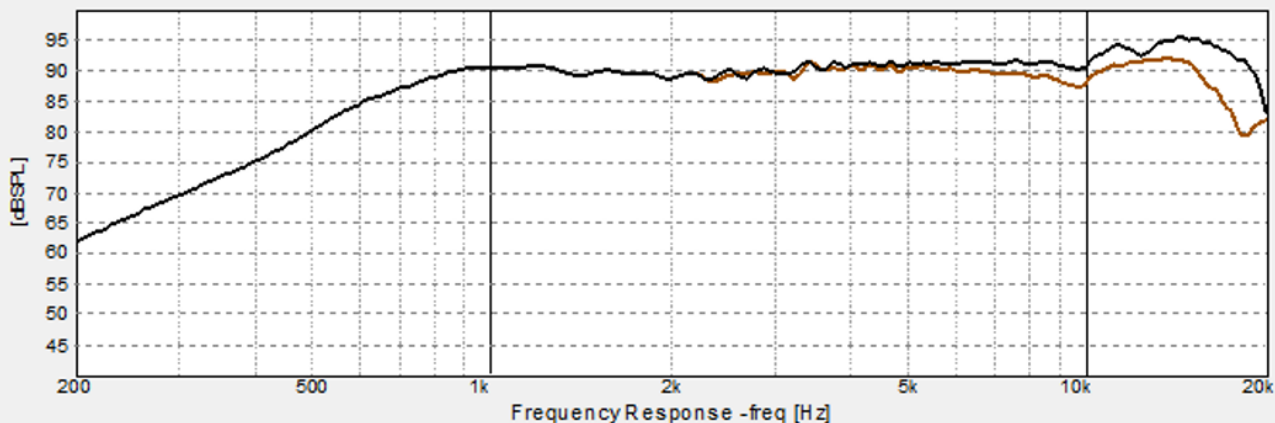
## Impedance



## Specifications

Impedance	8 Ohm
Re	6.4 Ohm
Le (at 10 kHz)	0.066 mH
Fs	865 Hz
Qms	4.21
Qes	1.85
Qts	1.28
Mms	0.18 g
Bl	2.76
Sd	5.3 cm <sup>2</sup>
Vas	0.01 L
Cms	0.2 mm/N

## Frequency Response – Infinite baffle, 2.83 V



[1.5dB]:30

[1.5dB]:0

LD25X @ 2.83V/1m on infinite baffle 0 - 30 degrees