

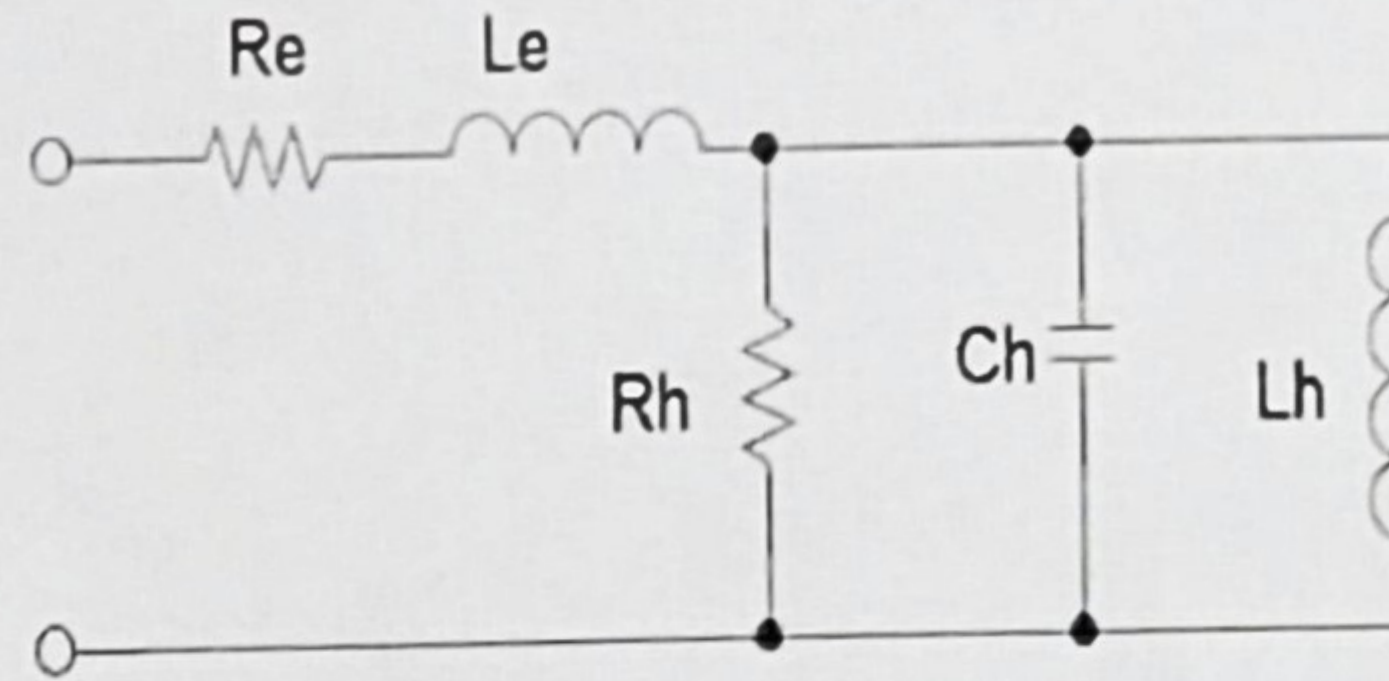
Datasheet

Sample no.: T22-04
 Customer name: CSS
 Date: January 18, 2022

Thiele/Small Parameters

Sd	6.1 cm ²
Re	3.7 ohm
Mms	0.27 g
Bl	1.5 Tm
Cms	0.078 mm/N
Rms	0.2 Ns/m
Fs	1099 Hz
Vas	0.004 ltr
Qms	9.3
Qes	3.15
Qts	2.35
Sensitivity	87.7 dB/2.83V

Electrical equivalent diagram



R_h	10.79 ohm
L_h	0.17 mH
C_h	124.65 uF

Ratios

$Bl/v(Re)$	1
F_s/Q_{ts}	467

Test conditions

Microphone distance	1 m
Input voltage	2.83 V

All data measured @ 25° C

