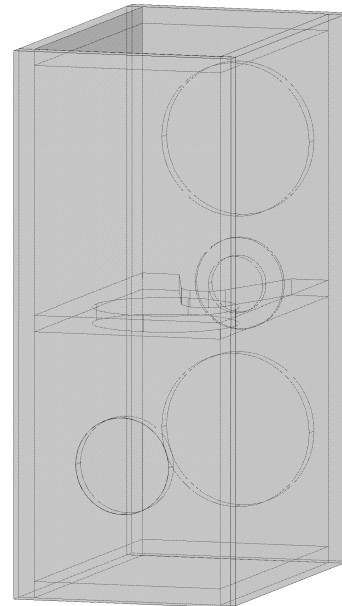
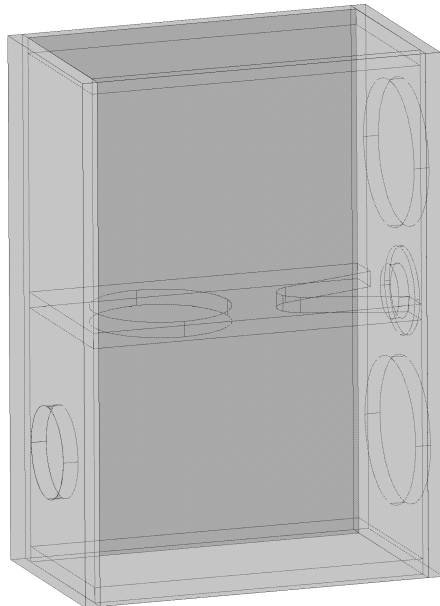
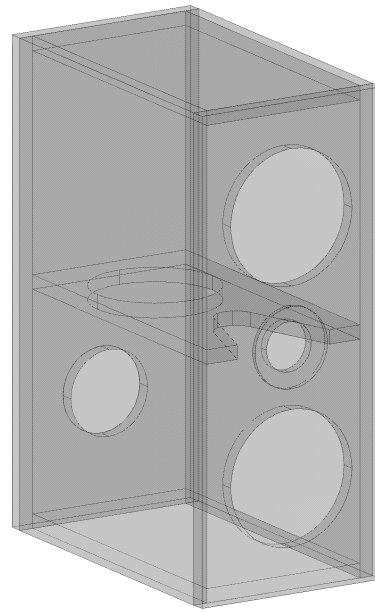
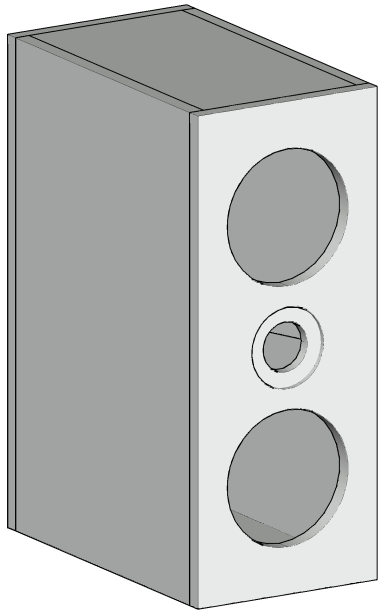




CREATIVE SOUND SOLUTIONS

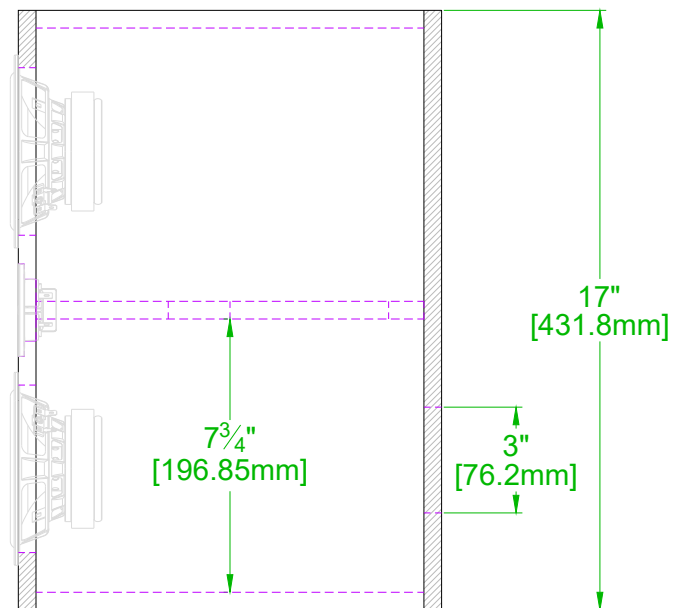
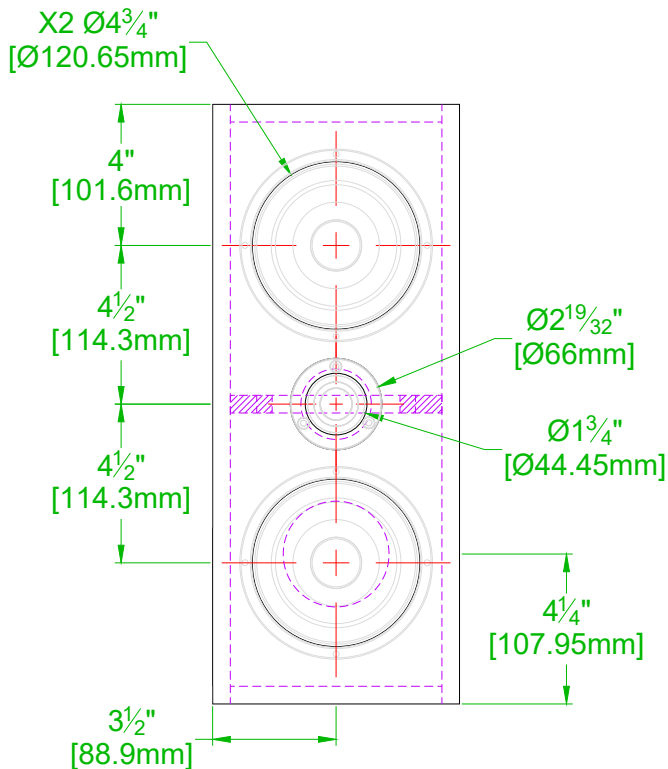
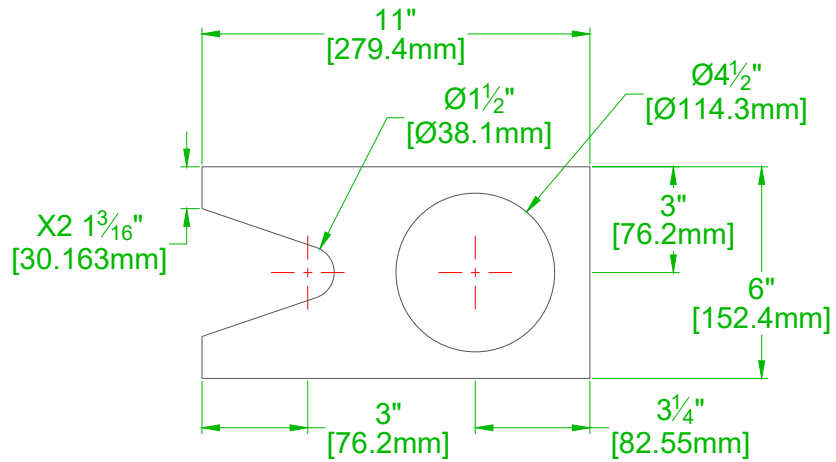
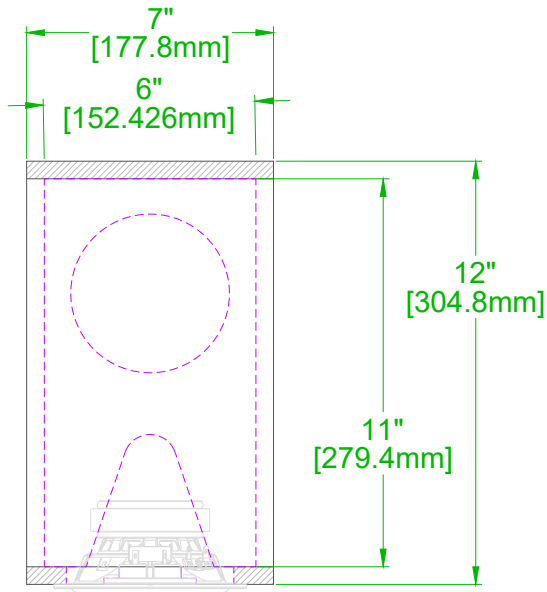
TORII CENTER CHANNEL
CSS T22-04 + W5-06

02 - MAY - 2024



CSS TORII UTILIZES HIGH QUALITY, LOW DISTORTION DRIVERS
CSS W5-06 MID WOOFERS AND T22 SOFT DOME TWEETER INTEGRATE SEAMLESSLY
FREQUENCY RESPONSE 58Hz - 20KHz +/-3dB

TORII CENTER CHANNEL
02-MAY-2024
DESIGNED BY D POINSETT/K ARMES | DRAWN BY MM
© 2017-18 CREATIVE SOUND SOLUTIONS, LCC

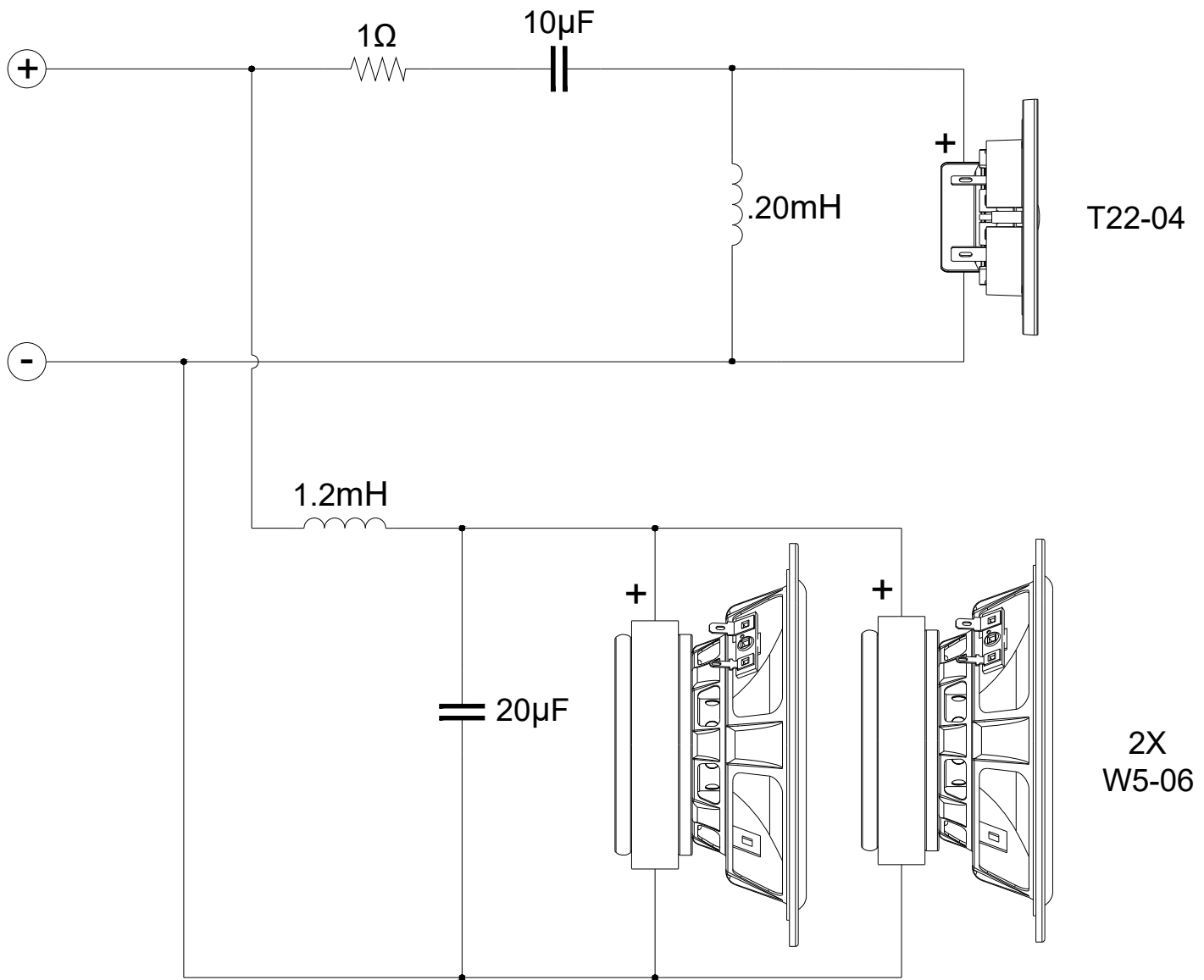


NOTES:

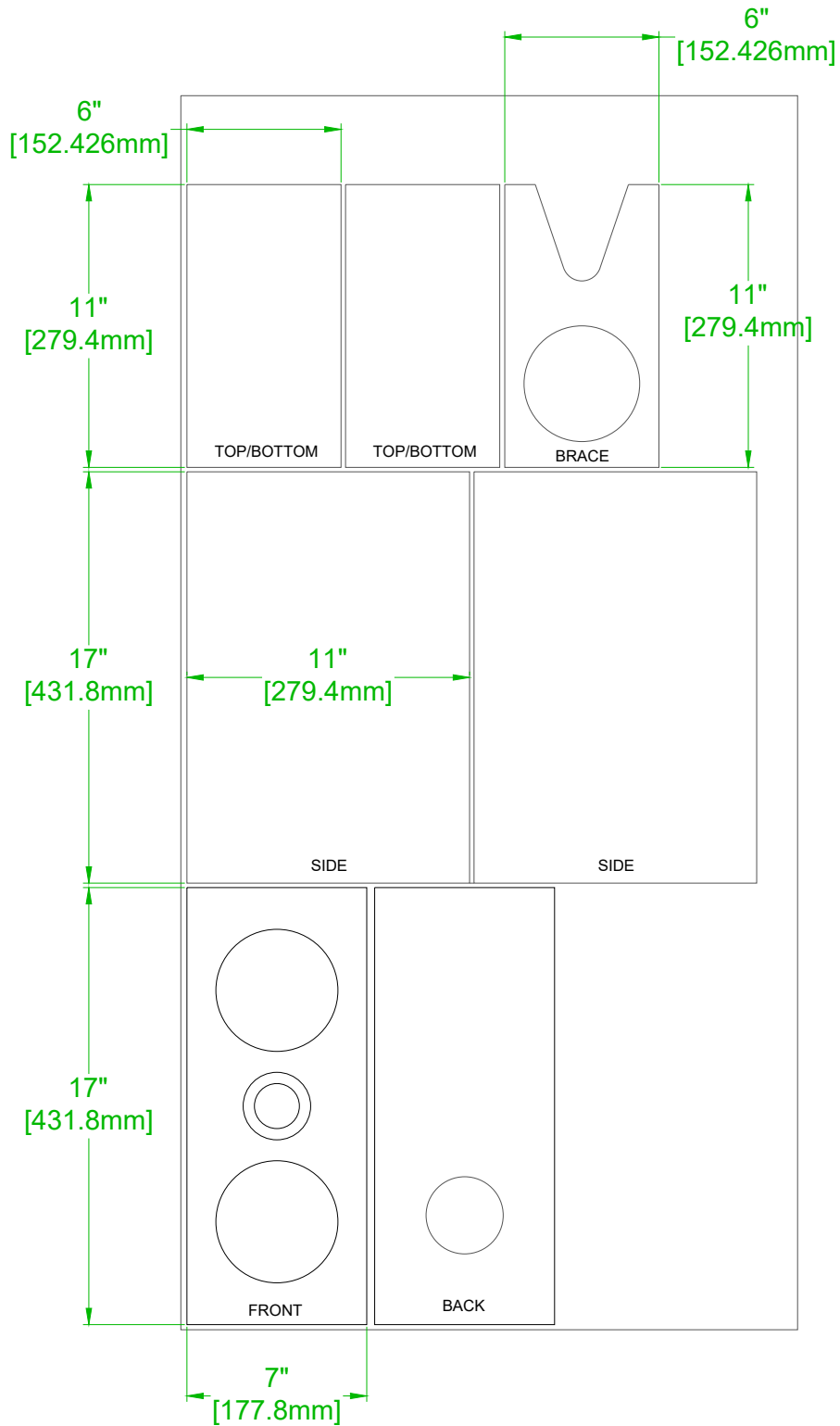
- 1) USES CSS T22-04 TWEETER AND CSS W5-06 MIDWOOFER X2
- 2) DRAWN WITH 1/2" [12.7MM] MATERIAL. QUALITY PLYWOOD OR MDF RECOMMENDED
- 3) LINE WALLS WITH FIBERGLASS, WOOL, OR COTTON FELT
- 4) THE 3" OPENING ON THE REAR BAFFLE IS FOR THE TERMINAL CUP SUPPLIED WITH THE KIT. IF USING A DIFFERENT TERMINATION, CUT THE REAR PANEL ACCORDINGLY.



TORII CENTER CHANNEL DIMENSIONS
 02-MAY-2024
 DESIGNED BY D POINSETT/K ARMES | DRAWN BY MM
 © 2017-18 CREATIVE SOUND SOLUTIONS, LCC



TORII CENTER CHANNEL CROSSOVER
 02-MAY-2024
 DESIGNED BY D POINSETT/K ARMES | DRAWN BY MM
 © 2017-18 CREATIVE SOUND SOLUTIONS, LCC

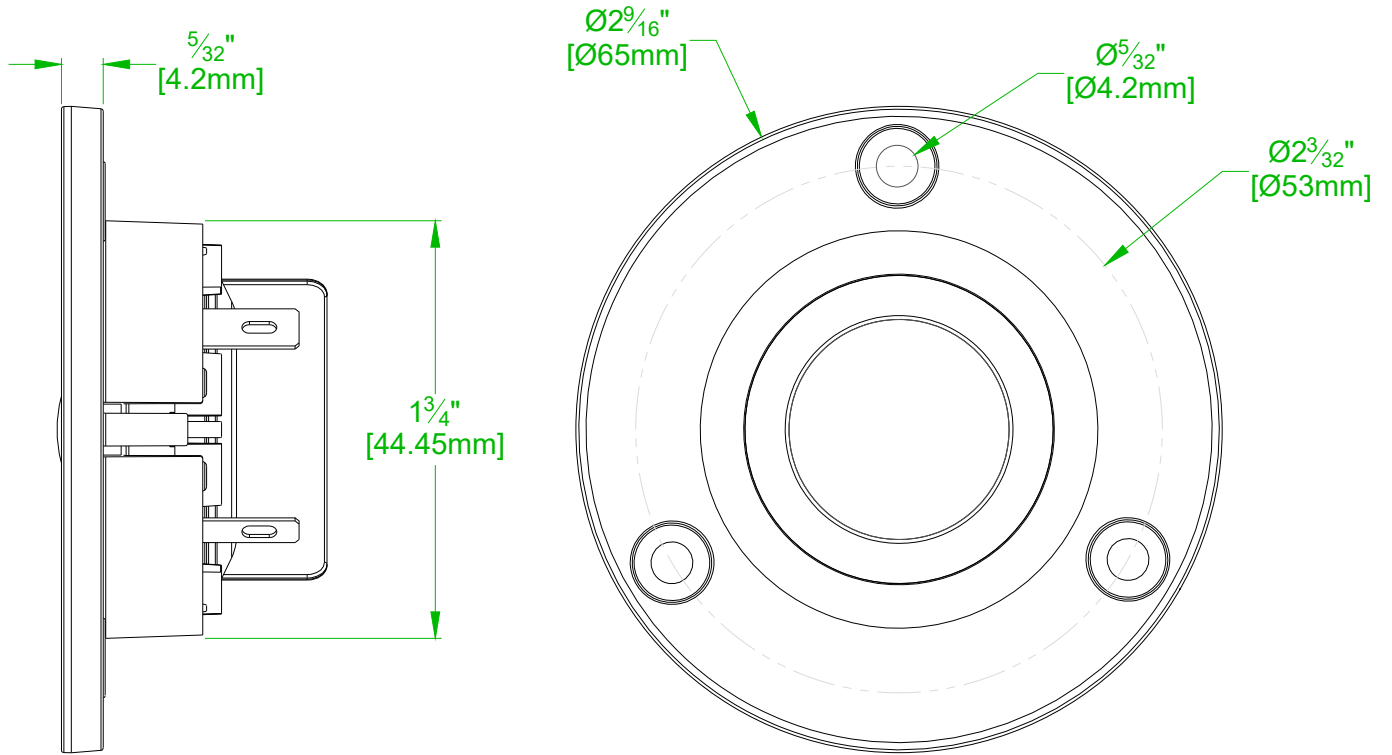


NOTES:

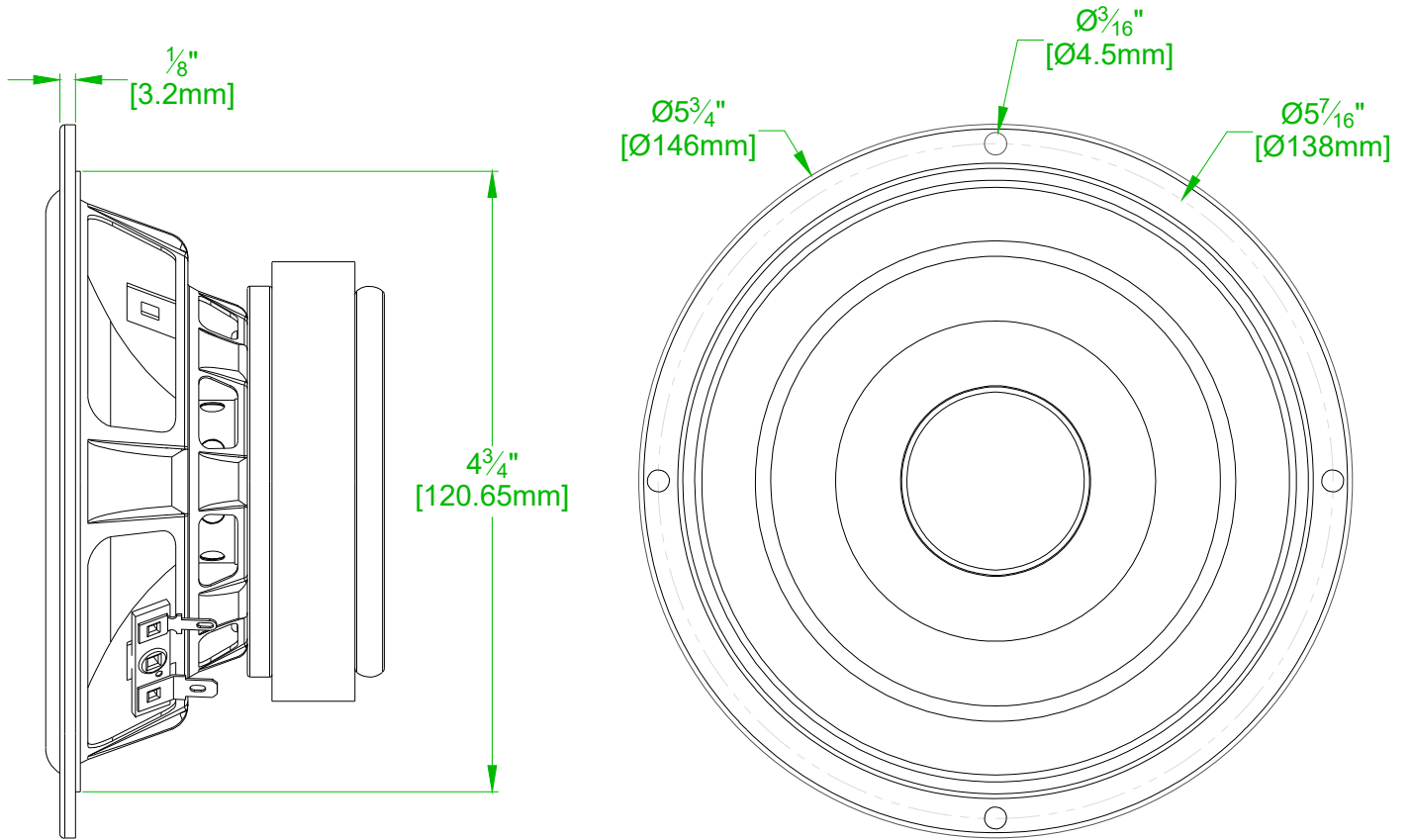
- 1) 4' X 2' SUGGESTED CUT OUT. ½" [12.7MM] QUALITY PLYWOOD OR MDF RECOMMENDED
- 2) ¼" [6.4mm] TRIM AND KERF
- 3) BEFORE CUTTING MEASURE THE ACTUAL MATERIAL'S THICKNESS AND ADJUST PANEL SIZES AS REQUIRED



TORII CENTER CHANNEL SUGGESTED CUT 4' X 4'
 02-MAY-2024
 DESIGNED BY D POINSETT/K ARMES | DRAWN BY MM
 © 2017-18 CREATIVE SOUND SOLUTIONS, LCC



CSS T22-04 TWEETER DIMENSIONS
 02-MAY-2024
 DESIGNED BY D POINSETT/K ARMES | DRAWN BY MM
 © 2017-18 CREATIVE SOUND SOLUTIONS, LCC



CSS W5-06 MIDWOOFER DIMENSIONS
 02-MAY-2024
 DESIGNED BY D POINSETT/K ARMES | DRAWN BY MM
 © 2017-18 CREATIVE SOUND SOLUTIONS, LCC