

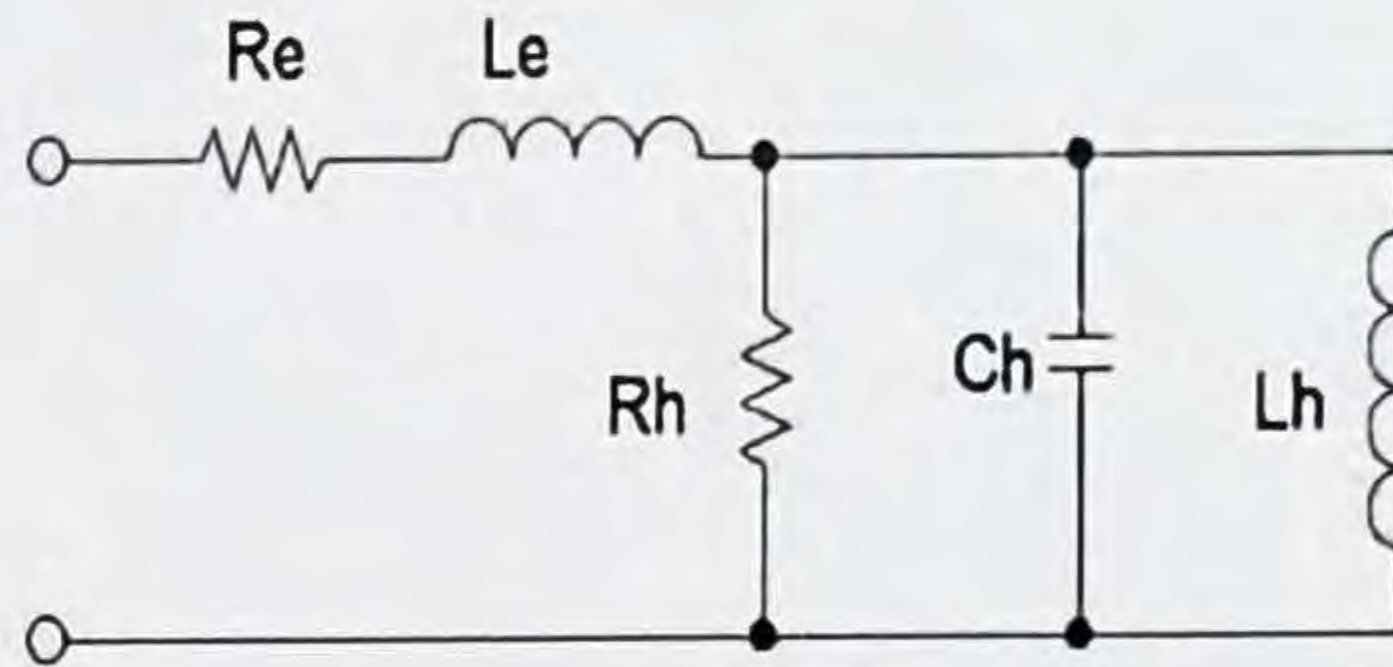
Datasheet

Sample no.: W5-06
 Customer name: CSS
 Date: January 22, 2022

Thiele/Small Parameters

Sd 93 cm²
 Re 4.7 ohm
 Mms 12.2 g
 Bl 5.2 Tm
 Cms 1.35 mm/N
 Rms 0.38 Ns/m
 Fs 39 Hz
 Vas 16.6 ltr
 Qms 8
 Qes 0.53
 Qts 0.50
 Sensitivity 86.9 dB/2.83V

Electrical equivalent diagram



Rh 71.30 ohm
 Lh 36.15 mH
 Ch 454.76 uF

Ratios

Bl/v(Re) 2
 Fs/Qts 79

Test conditions

Microphone distance 1 m
 Input voltage 2.83 V

All data measured @ 25° C

