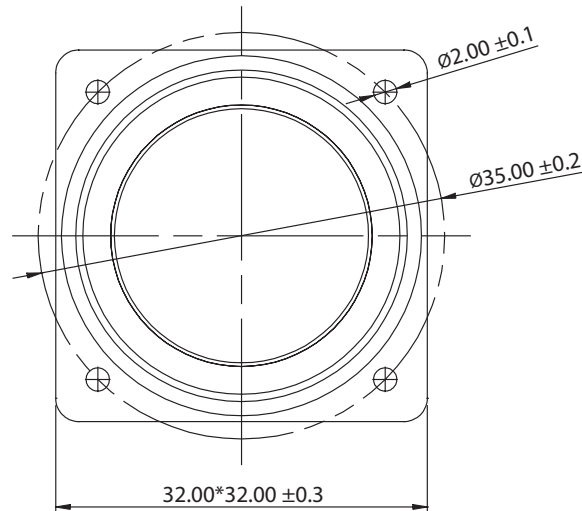
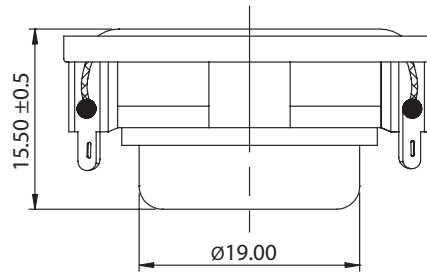


**CE32A-8****1-1/4" Mini Speaker 8 Ohm****CE32A-8****1-1/4" Mini Speaker 8 Ohm****Features**

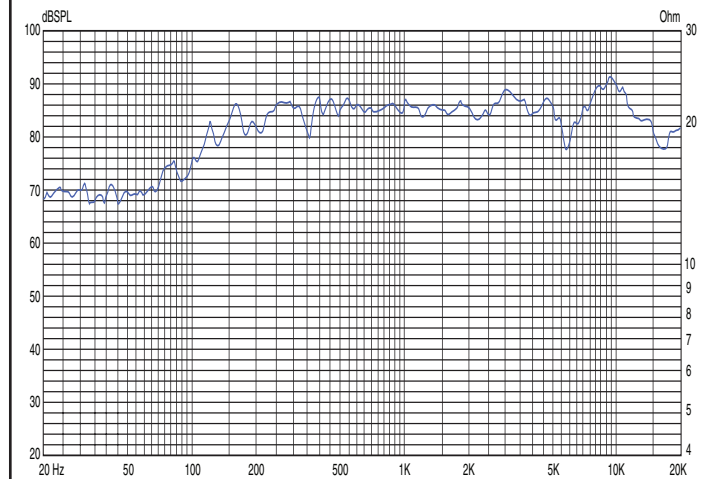
- Black anodized aluminum cone
- Double neodymium magnet motor
- Rubber surround
- Molded plastic frame
- Compact design
- Conventional mounting
- Excellent sonic detail

**Parameters**

Impedance ( $\Omega$ )	8
Re ( $\Omega$ )	7.01
Le (mH) @ 1 kHz	0.29
Fs (Hz)	273.9
Qms	2.84
Qes	1.25
Qts	0.87
Mms (g)	0.49
Cms (mm/N)	0.68
Sd (cm <sup>2</sup> )	3.917
Vd (cm <sup>3</sup> )	0.002
BL (Tm)	2.20
VAS (liters)	0.015
XMAX (mm)	0.7
VC Diameter (mm)	12.5
SPL (dB@1W/1m)	77.9
RMS Power Handling (w)	2.0
Usable Frequency Range (Hz)	240 - 20,000



Note: All dimensions in mm.

**Frequency Response**

Note: Due to testing limitations, response below 200 Hz is not an actual representation.

**Impedance/Phase**