

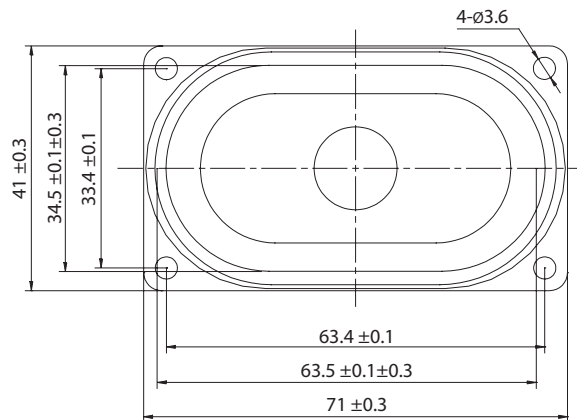
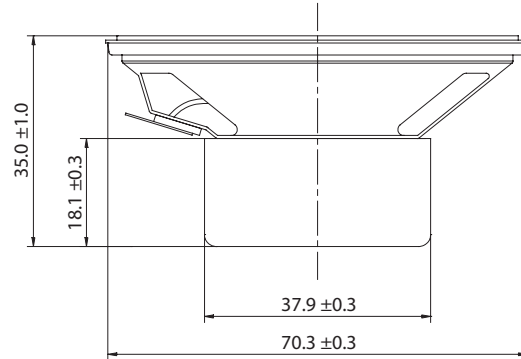
Features

- Lightweight paper cone
- Shielded ceramic magnet
- Coated fabric surround
- Stamped steel frame
- Compact size
- Versatile mounting



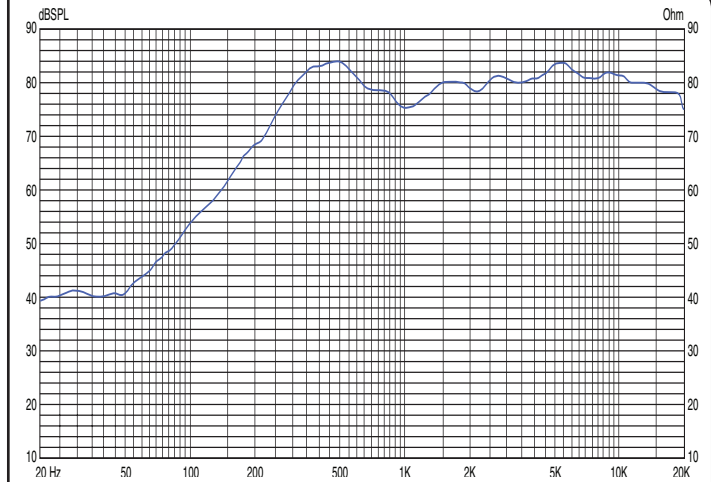
Parameters

Impedance (Ω)	8
Re (Ω)	6.6
Le (mH) @ 1 kHz	0.28
Fs (Hz)	418.6
Qms	3.82
Qes	9.92
Qts	2.76
Mms (g)	0.82
Cms (mm/N)	0.177
Sd (cm ²)	13.25
Vd (cm ³)	0.007
BL (Tm)	1.20
VAS (liters)	0.044
XMAX (mm)	0.5
VC Diameter (mm)	13
SPL (dB@1W/1m)	80
RMS Power Handling (w)	3.0
Usable Frequency Range (Hz)	420 - 20,000



Note: All dimensions in mm.

Frequency Response



Note: Due to testing limitations, response below 200 Hz is not an actual representation.

Impedance/Phase

