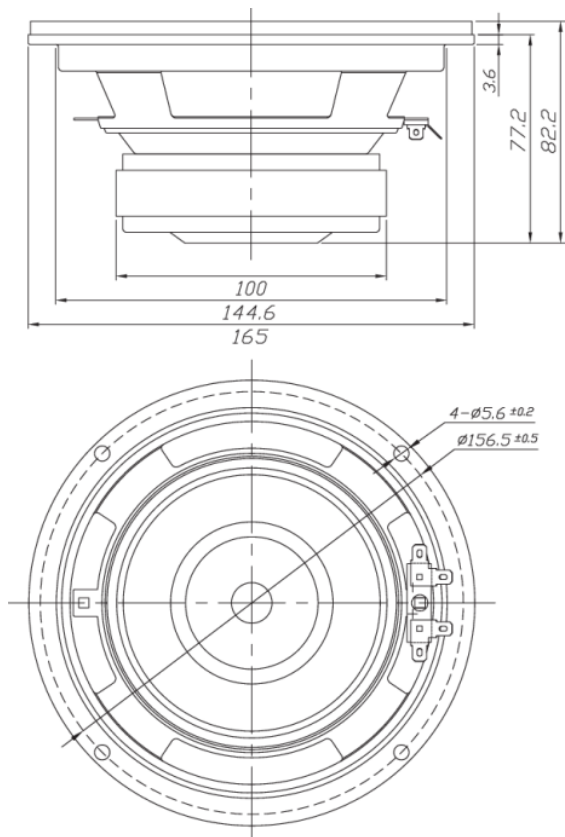




DC160-8 6-1/2" Classic Woofer 8 Ohm

DC160-8



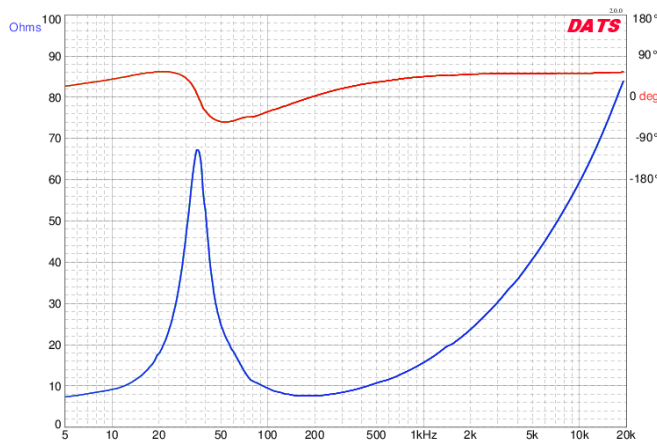
PARAMETERS

| | |
|-----------------------------|-----------------------|
| Impedance | 8 ohms |
| Re | 6.6 ohms |
| Le | 2.26 mH @ 1 kHz |
| Fs | 35.7 Hz |
| Qms | 3.46 |
| Qes | 0.38 |
| Qts | 0.34 |
| Mms | 29.3g |
| Cms | 0.68 mm/N |
| Sd | 134.8 cm ² |
| Vd | 42.5 cm ³ |
| BL | 10.7 Tm |
| Vas | 17.9 liters |
| Xmax | 3.15 mm |
| VC Diameter | 35 mm |
| SPL | 86.1 dB @ 2.83V/1m |
| RMS Power Handling | 50 watts |
| Usable Frequency Range (Hz) | 30 - 4,000 Hz |

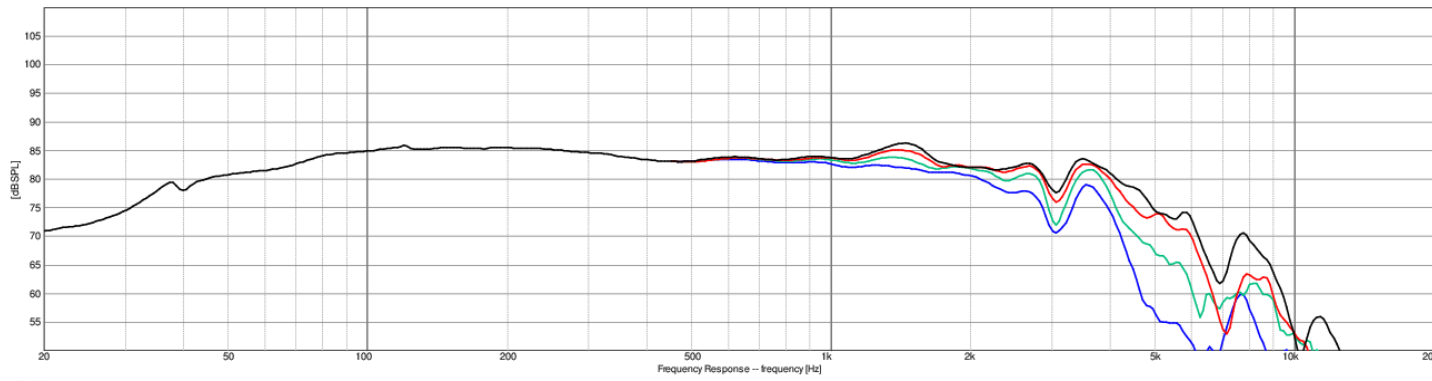
FEATURES

- Great bang-for-the-buck driver can be used as a woofer, midbass, or even as a small subwoofer
- Smooth frequency response up to 2 kHz and great bass response
- Rubber surround, aluminum voice coil, and extended bump plate
- Low 34 Hz free-air resonance

IMPEDANCE/PHASE



FREQUENCY RESPONSE



Note: 1/12th octave smoothing - nearfield response included in graph below 450 Hz.

Black = 0°
Red = 15°
Green = 30°
Blue = 45°