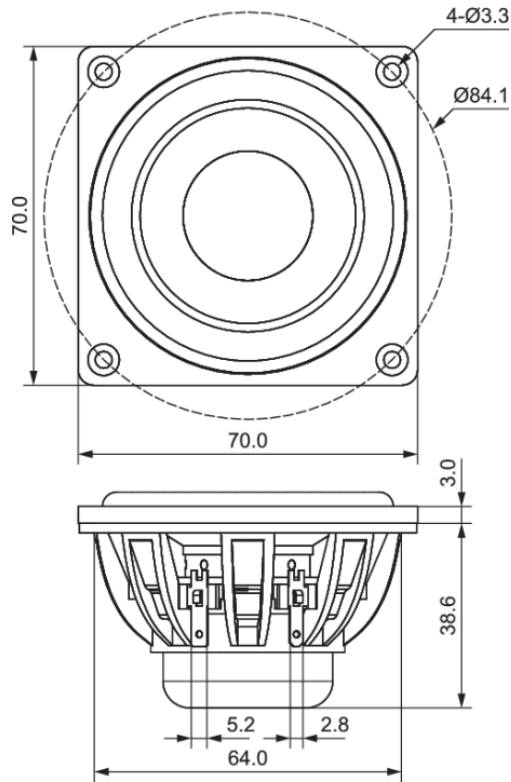




DMA70-8 2-1/2" Dual Magnet Aluminum Cone Full-Range Driver 8 Ohm



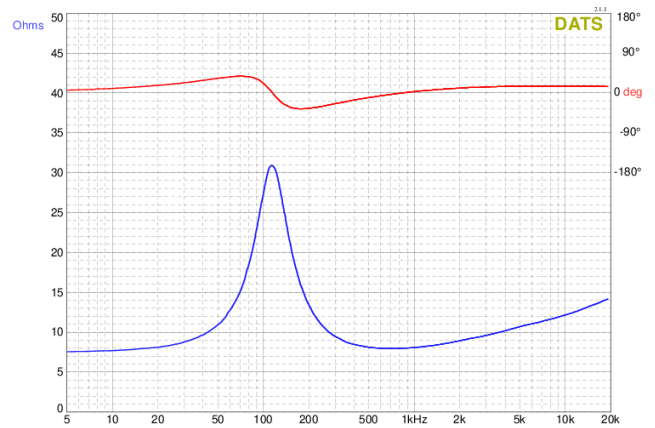
PARAMETERS

Impedance	8 ohms
Re	7.5 ohms
Le	0.5 mH @ 1 kHz
Fs	113.7 Hz
Qms	2.06
Qes	0.73
Qts	0.50
Mms	2.6 g
Cms	0.73 mm/N
Sd	22.9 cm ²
Vd	4.6 cm ³
BL	4.7 Tm
Vas	0.02 ft ³
Xmax	2.0 mm
VC Diameter	1"
SPL	82.9 dB @ 2.83V/1m
RMS Power Handling	20 watts
Usable Frequency Range (Hz)	110-20,000 Hz

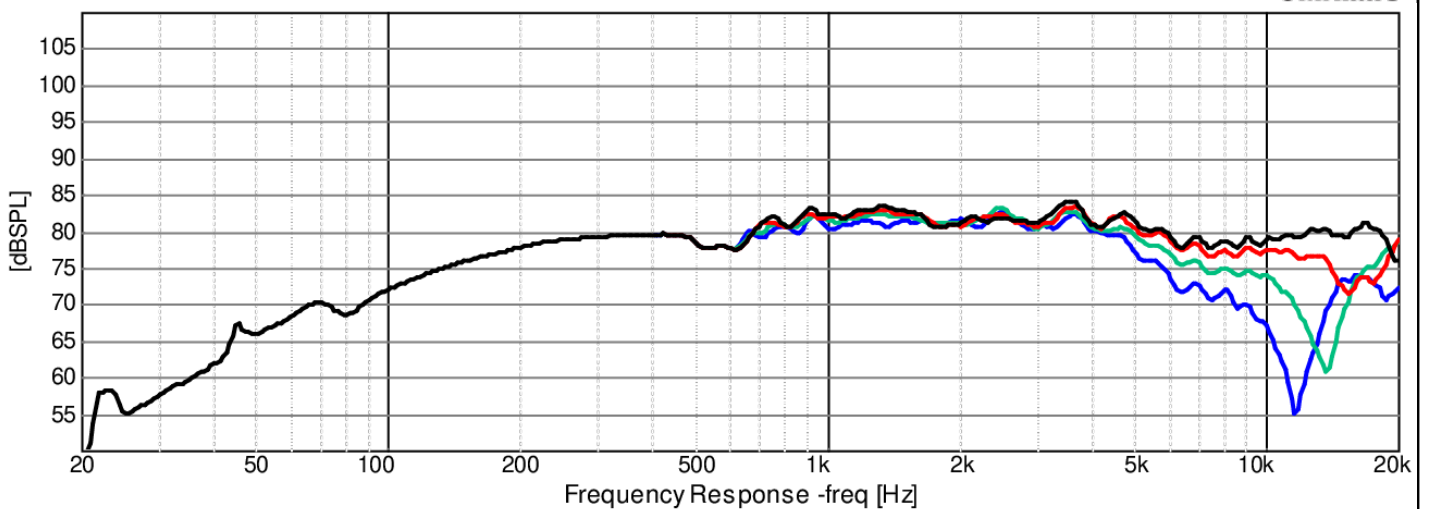
FEATURES

- Excellent high frequency response for true full-range applications
- Dual neodymium motor to create a symmetrical magnetic field for superb control
- Large copper cap lowers distortion while improving high frequency response
- Vented aluminum voice coil former with exceptional heat dissipation for high power handling
- Exclusive 8-spoke open frame design provides extensive venting and minimal reflection
- DIY friendly, oversized mounting flange makes installation simple
- Matching tunable passive radiators also available!

IMPEDANCE/PHASE



FREQUENCY RESPONSE



OmniMic

Note: 1/24th octave smoothing - nearfield response included in graph below 450 Hz.

Black = 0°
Red = 15°
Green = 30°
Blue = 45°