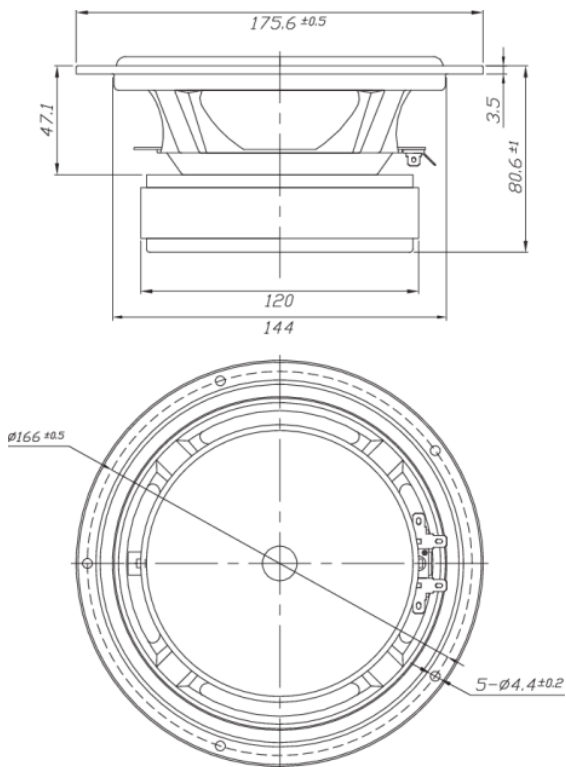




# DS175-8 6-1/2" Designer Series Woofer Speaker 8 Ohm

DS175-8



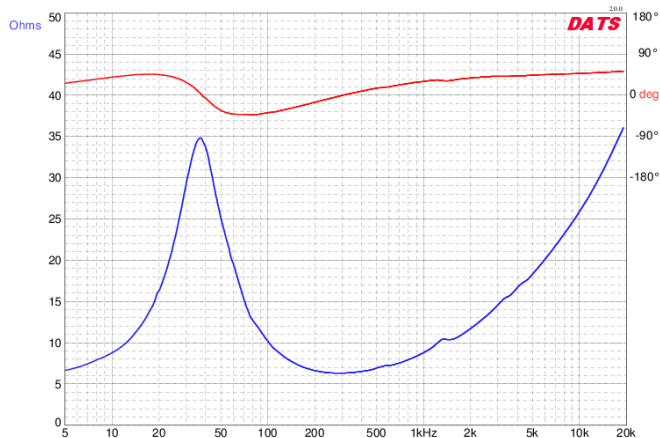
## PARAMETERS

Impedance	8 ohms
Re	5.7 ohms
Le	1.06 mH @ 1 kHz
Fs	37 Hz
Qms	1.63
Qes	0.32
Qts	0.27
Mms	26g
Cms	0.71 mm/N
Sd	128.7 cm <sup>2</sup>
Vd	67.6 cm <sup>3</sup>
BL	10.4 Tm
Vas	17 liters
Xmax	5.25 mm
VC Diameter	35.5 mm
SPL	87.7 dB @ 2.83V/1m
RMS Power Handling	70 watts
Usable Frequency Range (Hz)	40 - 4,500 Hz

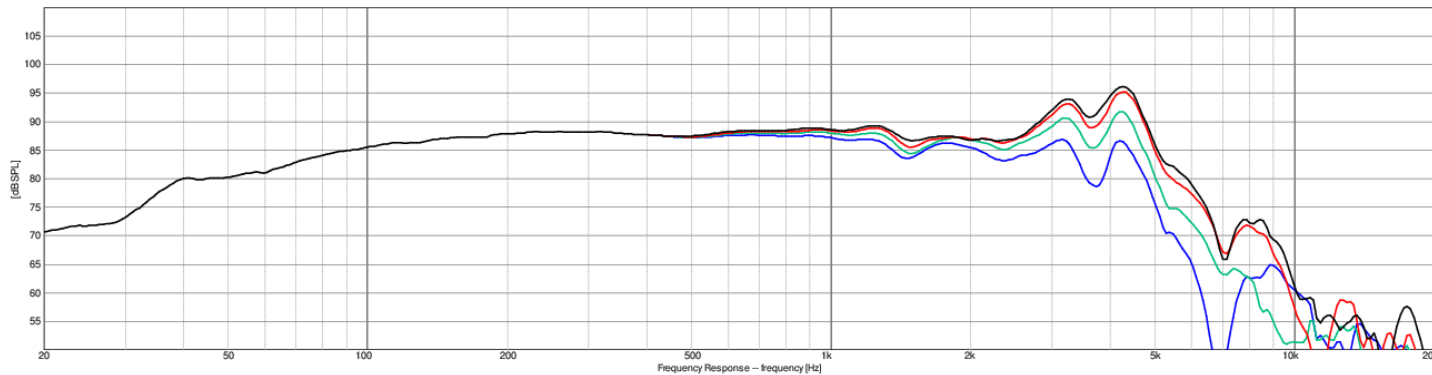
## FEATURES

- Generous Xmax capability encourages use of moderate bass boost to tailor the response
- Retains the same "family look" as the popular Dayton Audio DVC Series subwoofers and passive radiators
- Vented pole piece for minimized power compression and maximized reliability
- Smooth frequency response and linear roll-off simplify filter design, guaranteeing good results with off-the-shelf crossovers
- Optimized to yield a low 3 dB down point and high potential output in a reasonably sized cabinet

## IMPEDANCE/PHASE



## FREQUENCY RESPONSE



Note: 1/24<sup>th</sup> octave smoothing - nearfield response included in graph below 450 Hz.

Black = 0°  
Red = 15°  
Green = 30°  
Blue = 45°