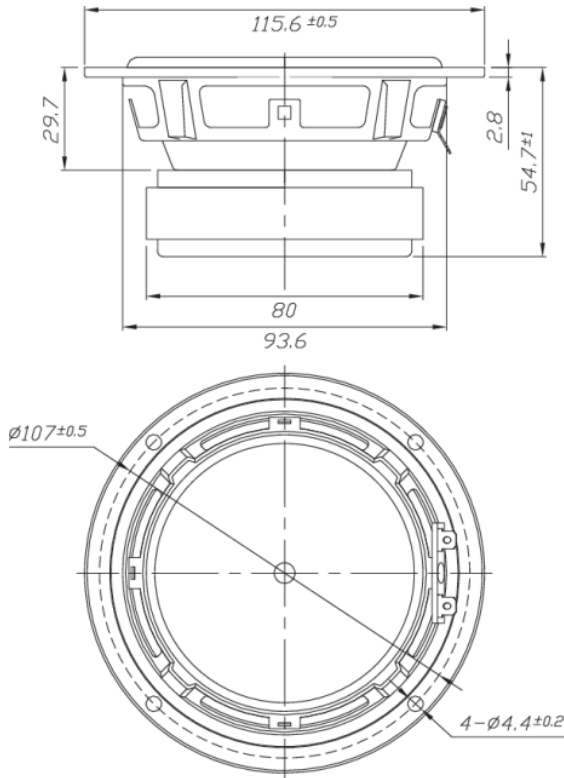




# DSA115-8 4" Designer Series Aluminum Cone Woofer 8 Ohm

DSA115-8



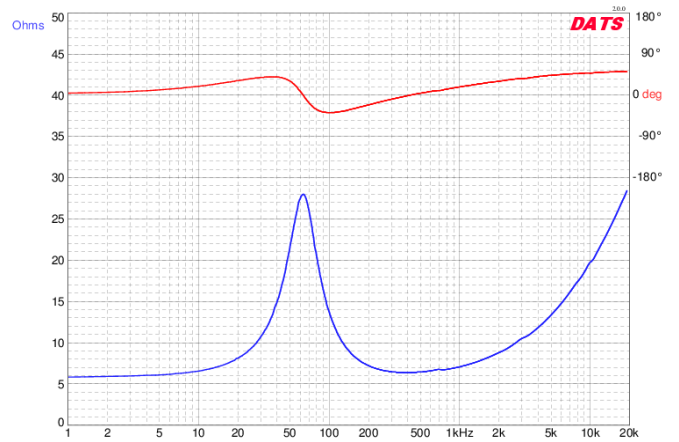
## PARAMETERS

Impedance	8 ohms
Re	5.9 ohms
Le	0.63 mH @ 1 kHz
Fs	63.25 Hz
Qms	2.00
Qes	0.53
Qts	0.42
Mms	6.7g
Cms	0.94 mm/N
Sd	54.1 cm <sup>2</sup>
Vd	22.2 cm <sup>3</sup>
BL	5.44 Tm
Vas	3.96 liters
Xmax	4.1 mm
VC Diameter	25.4 mm
SPL	86.1 dB @ 2.83V/1m
RMS Power Handling	35 watts
Usable Frequency Range (Hz)	63 - 11,000 Hz

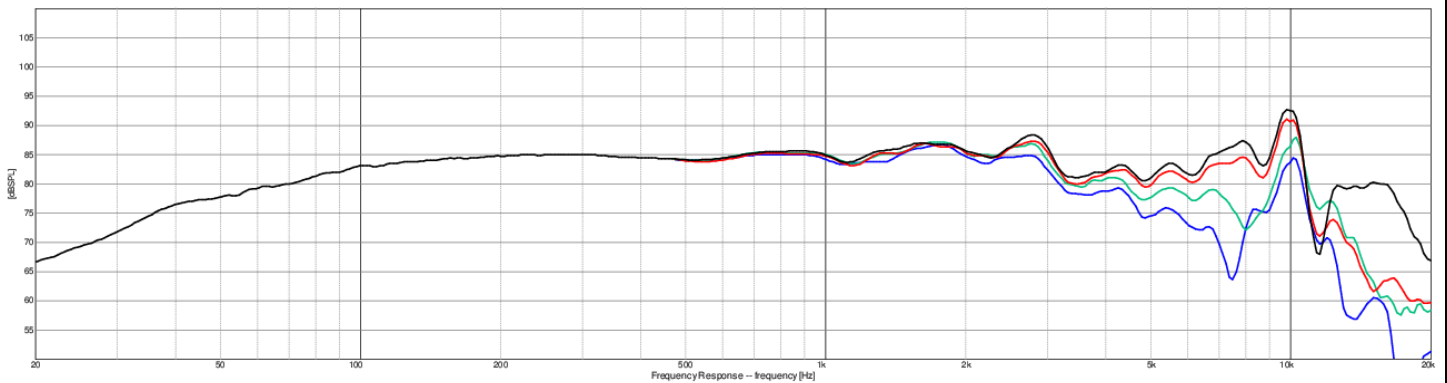
## FEATURES

- Cosmetic frame with low profile lip, designed for front mounting—no countersinking required!
- Low distortion motor system with copper shorting ring
- Black anodized aluminum cone, half roll rubber surround for durability and accurate reproduction
- Optimized to yield the smallest possible box volume and lowest 3 dB down point
- Smooth frequency response and linear roll-off simplify filter design, guaranteeing good results with off-the-shelf crossovers

## IMPEDANCE/PHASE



## FREQUENCY RESPONSE



**Note:** 1/24<sup>th</sup> octave smoothing - nearfield response included in graph below 450 Hz.

Black = 0°  
Red = 15°  
Green = 30°  
Blue = 45°