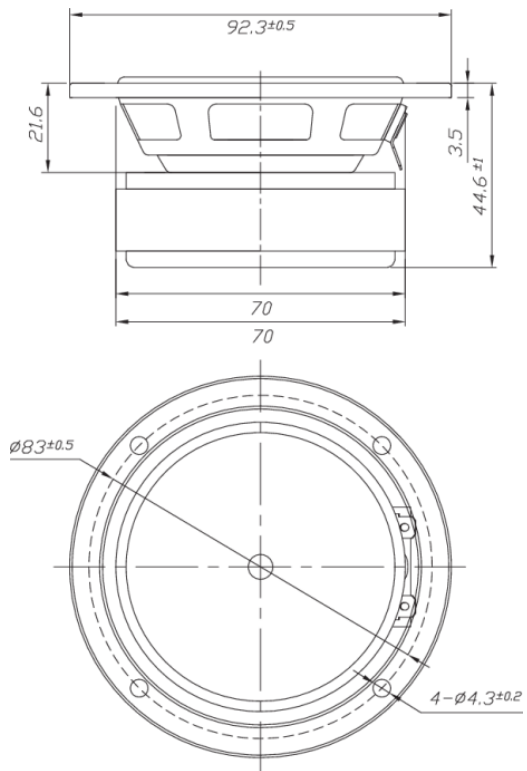




DSA90-8 3" Designer Series Aluminum Cone Full-Range Driver 8 Ohm



PARAMETERS

Impedance	8 ohms
Re	6.6 ohms
Le	0.53 mH @ 1 kHz
Fs	66.62 Hz
Qms	2.15
Qes	0.45
Qts	0.37
Mms	3.5g
Cms	1.64 mm/N
Sd	31.2 cm ²
Vd	7.8 cm ³
BL	4.61 Tm
Vas	2.27 liters
Xmax	2.5 mm
VC Diameter	20.4 mm
SPL	84.7 dB @ 2.83V/1m
RMS Power Handling	20 watts
Usable Frequency Range (Hz)	66 - 15,000 Hz

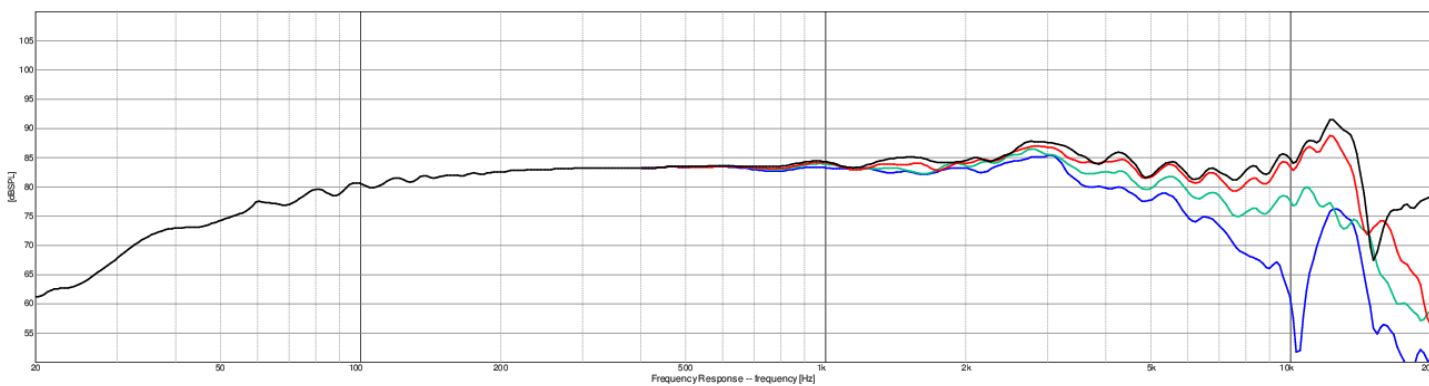
FEATURES

- Cosmetic frame with low profile lip, designed for front mounting—no countersinking required!
- Low distortion motor system with copper shorting ring
- Black anodized aluminum cone, half roll rubber surround for durability and accurate reproduction
- Optimized to yield the smallest possible box volume and lowest 3 dB down point
- Smooth frequency response and linear roll-off simplify filter design, guaranteeing good results with off-the-shelf crossovers

IMPEDANCE/PHASE



FREQUENCY RESPONSE



Note: 1/24th octave smoothing - nearfield response included in graph below 450 Hz.

Black = 0°
Red = 15°
Green = 30°
Blue = 45°