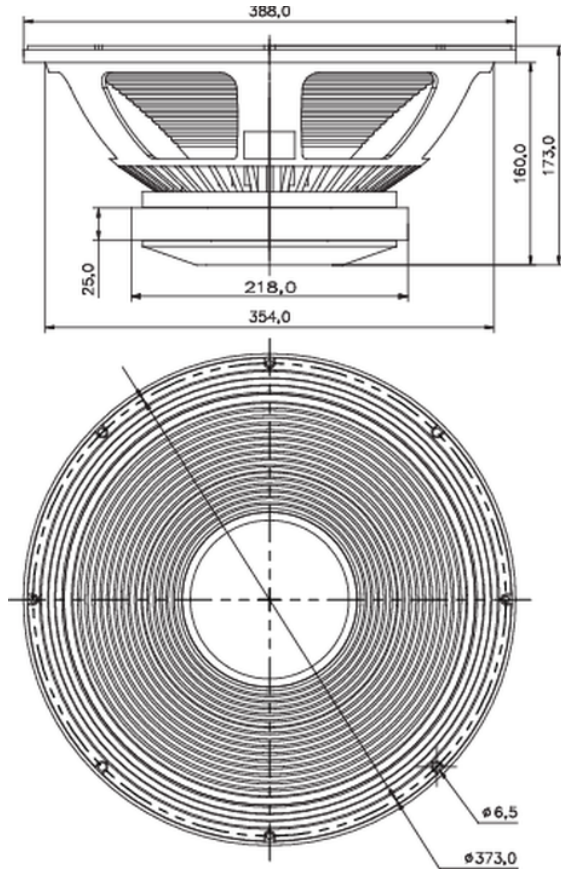




PA385S-8 15" Pro Subwoofer 4" VC 8 Ohm

PA385S-8



PARAMETERS

Impedance	8 ohms
Re	6 ohms
Le	4.3 mH
Fs	37.7 Hz @ 1 kHz
Qms	7.90
Qes	0.39
Qts	0.37
Mms	230g
Cms	0.08 mm/N
Sd	860.5 cm ²
Vd	N/A
BL	28.9 Tm
Vas	80.4 liters
Xmax	10 mm
VC Diameter	100 mm
SPL	93.6 dB @ 2.83V/1m
RMS Power Handling	1000 watts
Usable Frequency Range (Hz)	35 - 1,000 Hz

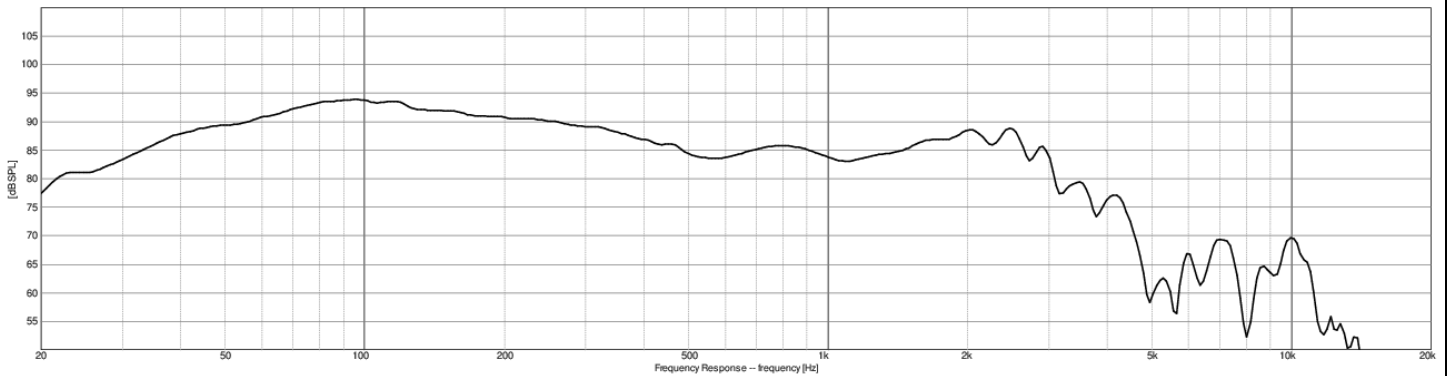
FEATURES

- Thick, rigid Kevlar-paper cone resists deformation
- Inside/outside wound 4" diameter voice coils for maximum motor efficiency
- Extensive motor venting for elevated power handling and cool operation
- 11mm of Klippel-verified Xmax
- Rugged cast-frame construction with premium materials

IMPEDANCE/PHASE



FREQUENCY RESPONSE



Note: 1/24th octave smoothing - nearfield response included in graph below 450 Hz.

Black = 0°