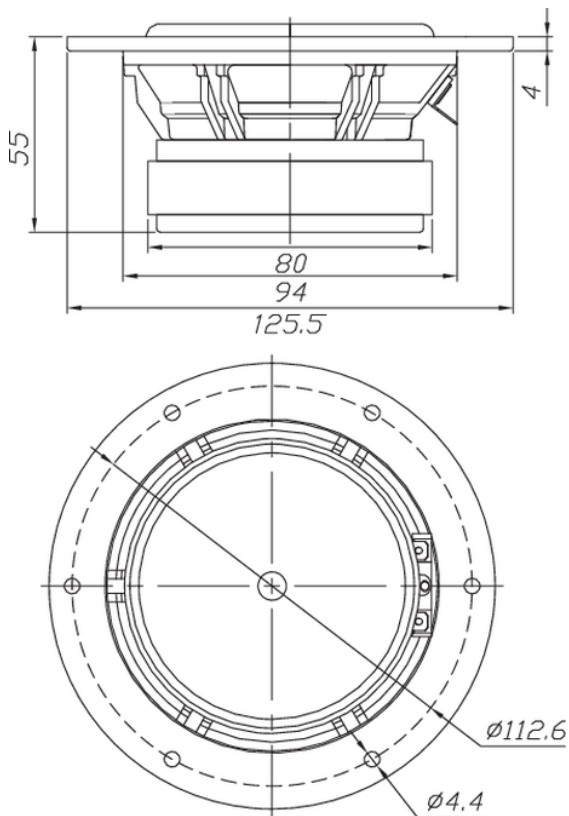




RS125P-8 5" Reference Paper Woofer 8 Ohm

RS125P-8



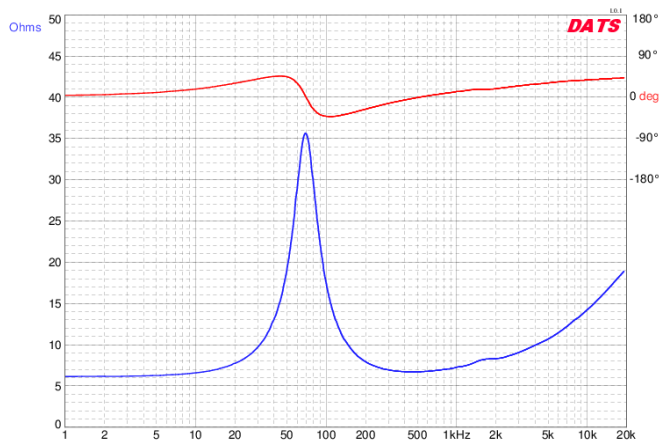
PARAMETERS

Impedance	8 ohms
Re	6.2 ohms
Le	0.62 mH @ 1 kHz
Fs	70 Hz
Qms	2.56
Qes	0.53
Qts	0.44
Mms	5.1g
Cms	1.02 mm/N
Sd	52.8 cm ²
Vd	21.1 cm ³
BL	5.08 Tm
Vas	3.98 liters
Xmax	4 mm
VC Diameter	25 mm
SPL	87.1 dB @ 2.83V/1m
RMS Power Handling	30 watts
Usable Frequency Range (Hz)	70 - 10,000 Hz

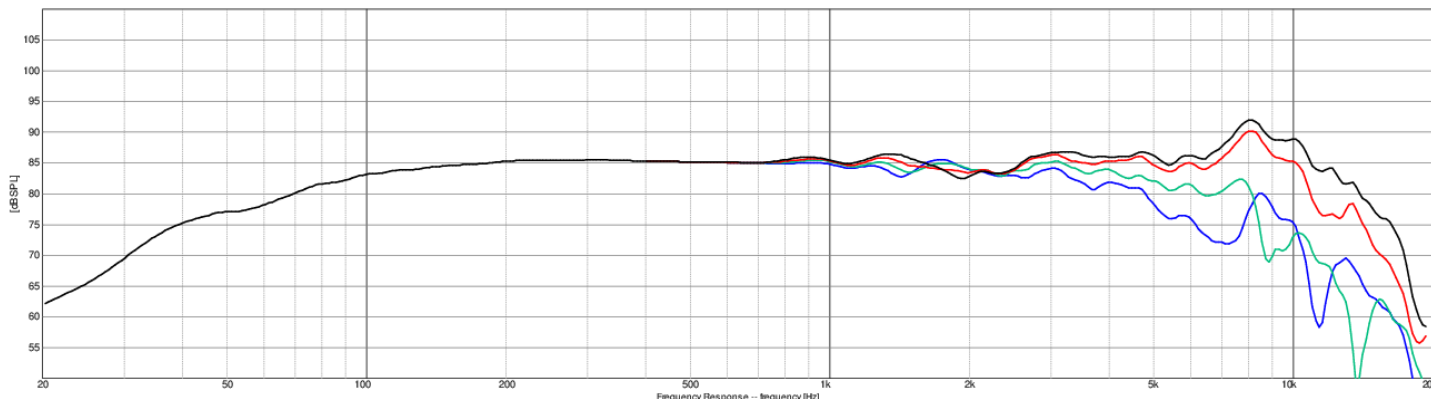
FEATURES

- Three-part paper composite diaphragm featuring paper, Kevlar®, and glass fibers
- Similar cosmetics and design features as original Reference Series with low-distortion motor, 6-hole cast frame, rubber surround, and solid aluminum phase plug
- Perfect for use as a woofer, midwoofer, or dedicated midrange driver
- 4 mm of Xmax and 85.8 dB sensitivity

IMPEDANCE/PHASE



FREQUENCY RESPONSE



Note: 1/24th octave smoothing - nearfield response included in graph below 450 Hz.

Black = 0°
Red = 15°
Green = 30°
Blue = 45°