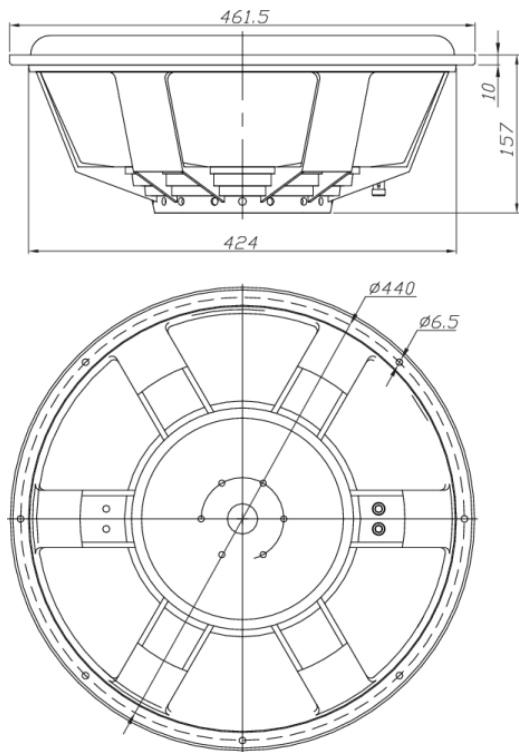




RSS460-PR 18" Aluminum Cone Passive Radiator

RSS460-PR



FEATURES

- SMS (Sandwich Mass System) permits greater linearity by minimizing angular torque
- Durable yet compliant suspension provides substantial linear travel and mechanical stability
- Rigid cast aluminum frame with thick black anodized aluminum cone
- Threaded rod with lock nut for easy adjustment of tuning frequency
- Includes 8-75 gram weighted disks for simple tuning adjustment

Default Parameters (driver only)

Fs	14.7 Hz
Qms	5.03
Mms	500g
Cms	0.23 mm/N
Sd	1164.0 cm ²
Vd	3,957.6 cm ³
Vas	449.0 liters
Xmax	34 mm

Note: Parameters above are for the passive only with no additional mass added. Parameters with additional mass added are listed in the table below.

Parameters with Added Mass

RSS460-PR	0 disk	1 disk	2 disk	3 disk	4 disk	5 disk	6 disk	7 disk	8 disk	
Mmpr	500	575	650	725	800	875	950	1025	1100	g
Fpr	14.7	13.7	12.9	12.2	11.7	11.1	10.7	10.3	9.9	Hz
Qmpr	5.03	5.39	5.73	6.05	6.36	6.65	6.93	7.20	7.46	
Vapr	449.0	These parameters remain the same								liters
Cmpr	0.233									mm/N
Rmpr	9.21									kg/s
Xmech	34									mm
Sd	1164									cm²
Vd	3,957.6									cm³