



# PUCK™ TACTILE TRANSDUCER MINI BASS SHAKER

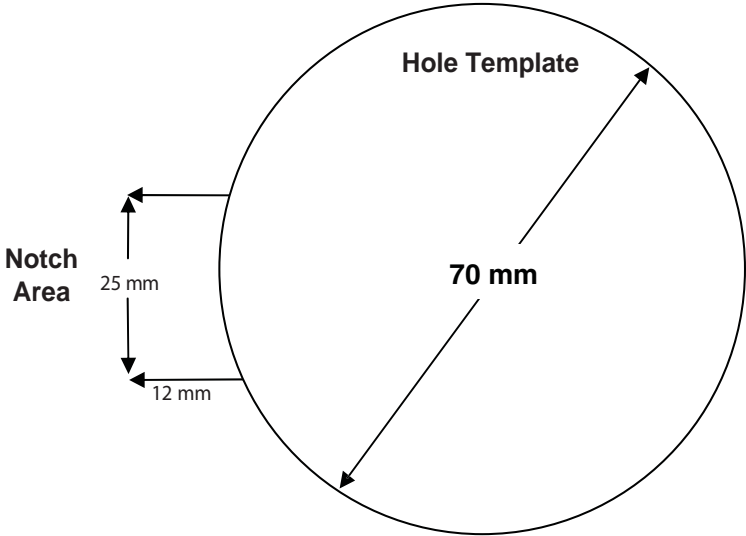
Model: TT25-8 / TT25-16  
User Manual



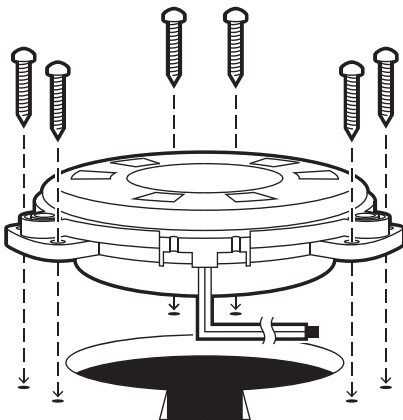
**Overview:** The Dayton Audio PUCK™ is a small tactile transducer intended to be used in Home Theater, Gaming, and Auto Sound applications. Its unique ability to transfer low frequency sound waves directly to the listener is achieved by mounting the PUCK™ to surface areas that a listener's body will come into contact with. Because the listener "feels" the low frequency, the volume of the overall sound can be kept to a minimum without sacrificing the audio quality.

**Mounting:** The PUCK™ is designed to nest into a 70 mm hole (with notch area for wiring). Please use the template below for a suggested hole cut.

**Surface mounting ring:** For applications where cutting a hole is not desired, an optional surface mounting ring (SMRK) is available.

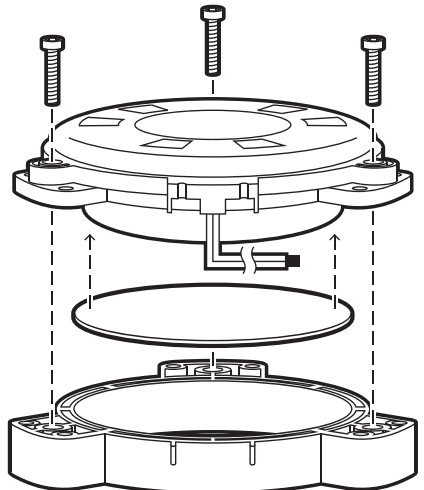


**Optional cut-out mounting**



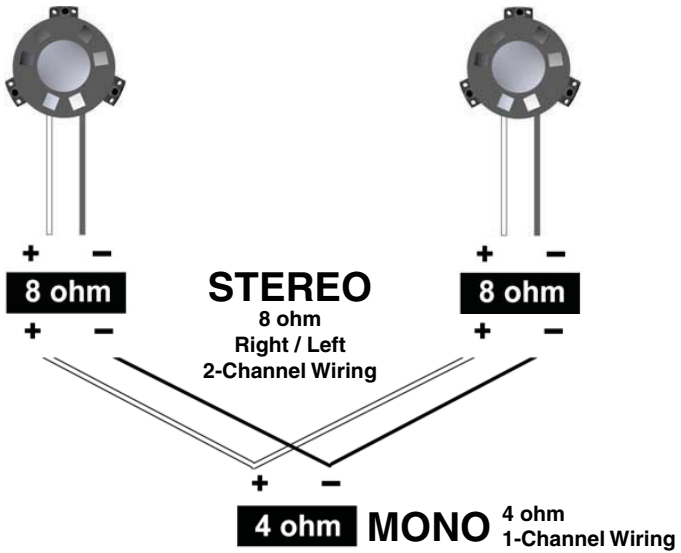
Use six #6 wood or sheet metal  
Screws to mount on surface

**Optional surface mounting ring  
(SMRK)**



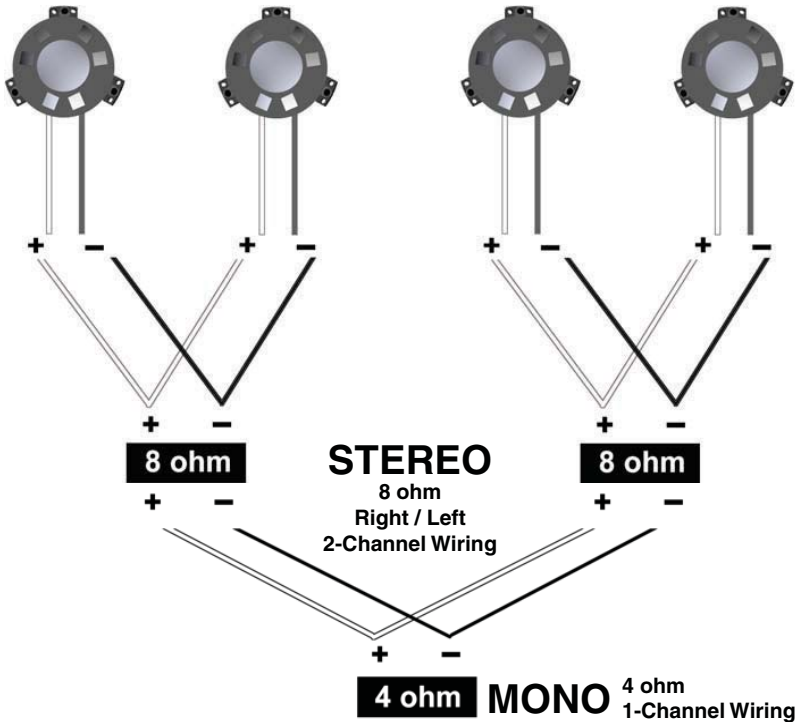
Using TT25-8 (8 ohm PUCK™)

Typical wiring configuration:



Using TT25-16 (16 ohm PUCK™)

Typical wiring configuration:



## Wiring:

- Use standard wire nuts to join wires
- If possible, always pre-wire prior to permanent mounting
- Verify and match the impedance of any receiver/amplifier shown in the wiring configuration diagrams
- Should you have any questions regarding wiring or installation, contact your place of purchase

## Specifications

Model number	TT25-8	TT25-16
Power handling (RMS/Peak)	20/30	20/30
Impedance	8 ohm	16 ohm
Frequency response (Hz)	20-80	20-80
Fs (Hz)	40	40
Force Peak (lbs./ft.)*	30	30
Dimensions Diameter x H (in)	3-1/2" dia x 1" H	3-1/2" dia x 1" H
Cut-out size (in)	70 mm dia. with 25 mm slot	70 mm dia. with 25 mm slot
* When used in four PUCK configuration		

### Warranty Information

Dayton Audio products are warranted free from defects in material and workmanship for **5 years** from date of purchase (see exceptions below). In the rare case of a product failure, please contact your place of purchase or call our Customer Support Department at (937) 743-8248.

### Warranty Limitations

There are no other warranties, either express or implied, that extend the foregoing, and there are no warranties of merchantability or fitness for any particular purpose. Dayton Audio is not responsible for any consequential or inconsequential damage to any other unit or component or the cost for installation or extraction of any component of the audio system, or for the improper use of products. This includes but is not limited to burnt voice coils, overheating, bent frames, holes in the cone, or broken lead wires. Warranty does not apply to misuse, abuse, neglect, accident, improper use, etc. Dayton Audio reserves the right to repair or replace the products with either a new or factory refurbished unit.

**Exception:** Dayton Audio HDMI Cables -- No registration, no questions asked LIFETIME warranty. Replacement of Dayton Audio HDMI cables is with equal or better quality HDMI cables. Unassembled Kits - A 45-day return policy applies to unassembled kits. Once assembly has been started or completed, kits are deemed used and are nonreturnable for refund/exchange. This does not limit the manufacturers' warranty policies on any kit component.

This warranty gives you specific legal rights and you may also have other rights that vary from state to state.

**Non-Warranty Service:** If non-warranty service is required, the product may be sent to the Company for repair/replacement, transportation prepaid, by calling (937) 743-8248 for details, complete instructions, and service fee charges.



[daytonaudio.com](http://daytonaudio.com)  
tel + 937.743.8248  
[info@daytonaudio.com](mailto:info@daytonaudio.com)

705 Pleasant Valley Dr.  
Springboro, OH 45066  
USA

