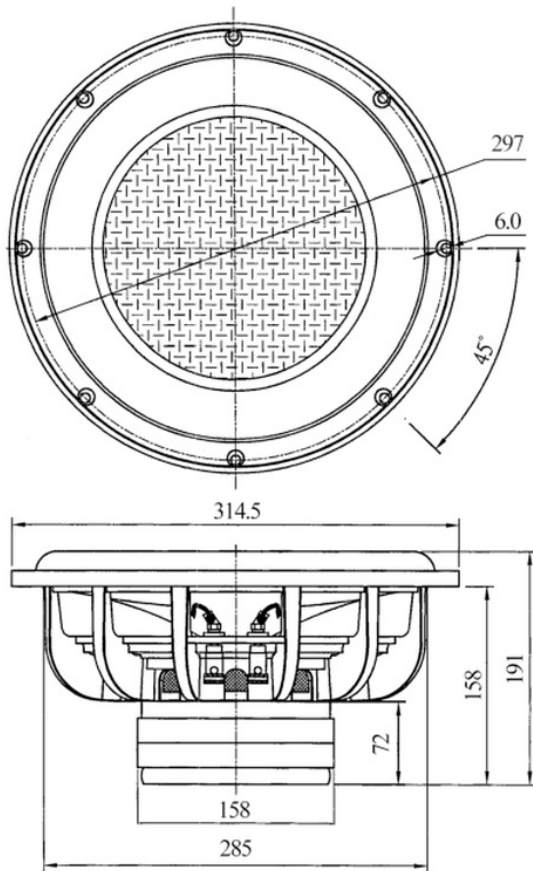




UM12-22 12" Ultimax DVC Subwoofer 2 ohm Per Coil

UM12-22



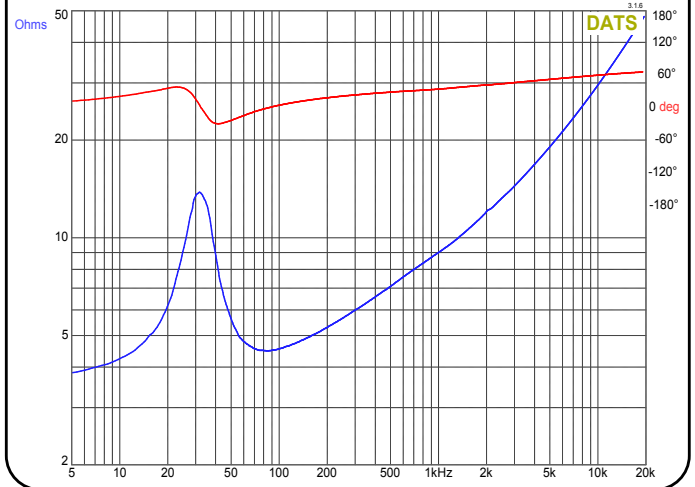
PARAMETERS

Impedance:	2 + 2 ohms
Re:	3.7 ohms
Le:	0.78 mH
Fs:	31.8 Hz
Qms:	2.9
Qes:	1.05
Qts:	0.77
Mms:	206g
Cms:	0.12 mm/N
Sd:	490.9 cm ²
Vd:	926.9 cm ³
BL:	12 Tm
Vas:	41.1 liters
Xmax:	19 mm
VC Diameter:	63.5 mm
SPL:	86.3 dB @ 2.83V/1m
RMS Power Handling:	600 watts
Usable Frequency Range:	20 – 1,000 Hz

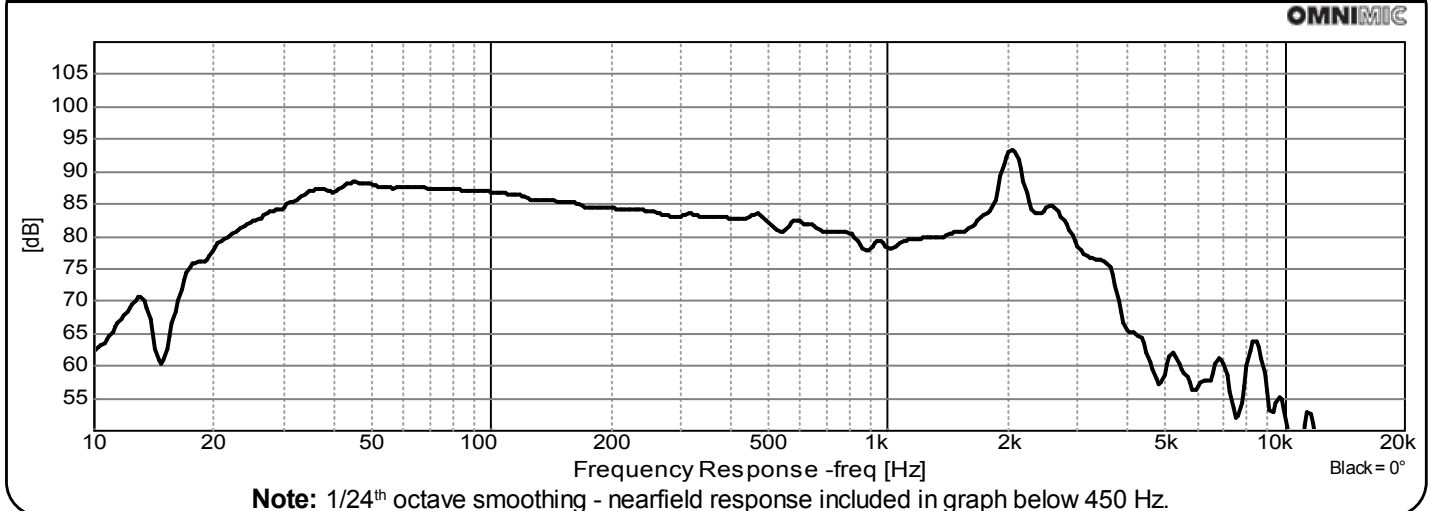
FEATURES

- Thick, one-piece Nomex honeycomb covered cone with woven heavy-duty glass-fiber
- Tall-boy rubber surround for extra-long linear excursion without reducing cone surface area
- 600 watts RMS power handling
- Copper shorting rings and cap reduce distortion due to inductance variations
- Dual 2 ohm, 2-layer copper voice coils

IMPEDANCE/PHASE



FREQUENCY RESPONSE



Note: 1/24th octave smoothing - nearfield response included in graph below 450 Hz.

Note: All parameters derived with voice coils wired in series