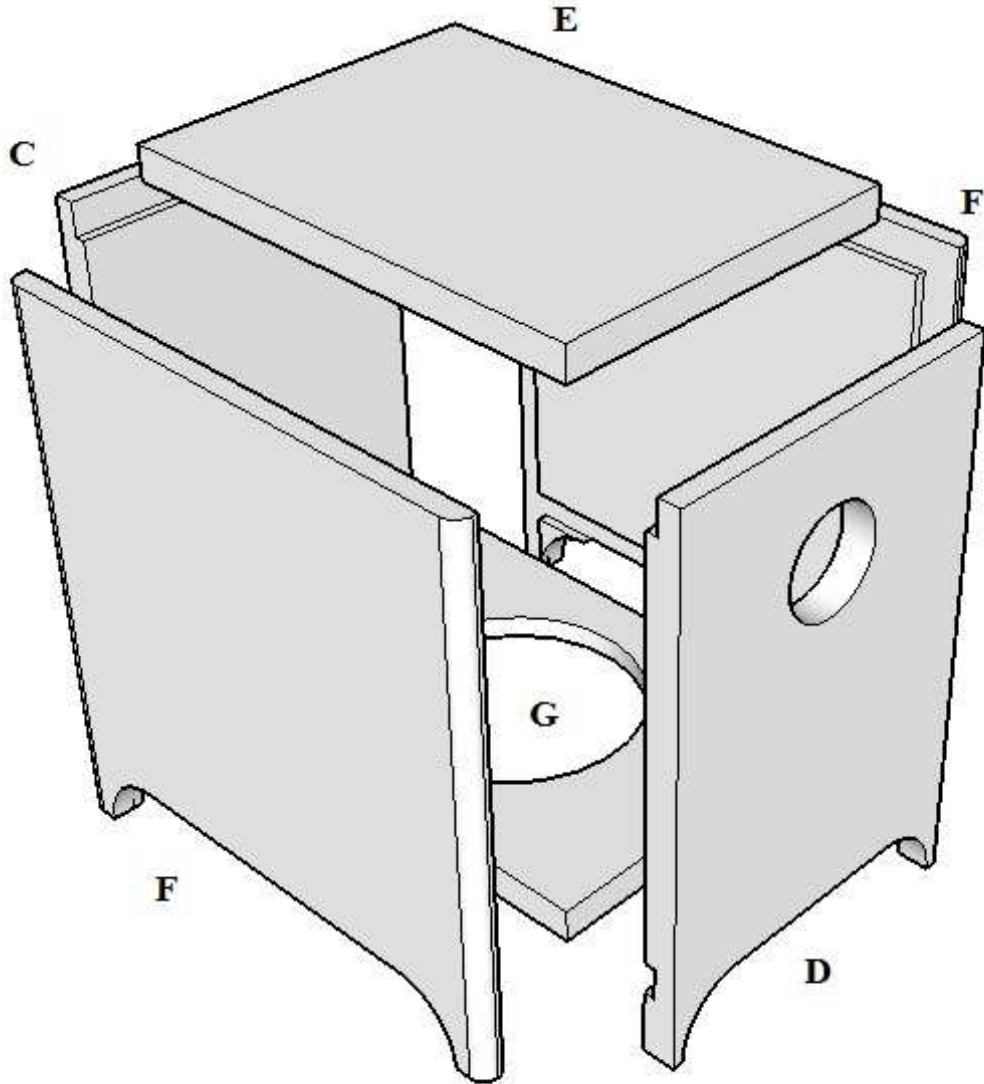


Enclosure:



- C) Front
- D) Back
- E) Top
- F) 2 x Sides
- G) Bottom

Enclosure Assembly:

- 1) First, take either the back or bottom panel and cut or drill holes required for the speaker termination of your choice (plate amplifier, binding posts, terminal cup, Speakon, etc...).
- 2) Next, set the enclosure parts out on a flat level surface and ensure that all pieces are free of dust and debris.
- 3) With one side panel lying flat, glue all mating surfaces of each panel in the order shown below. Due to the placement of dado cuts, this cabinet should require only a few clamps for assembly and gluing.

