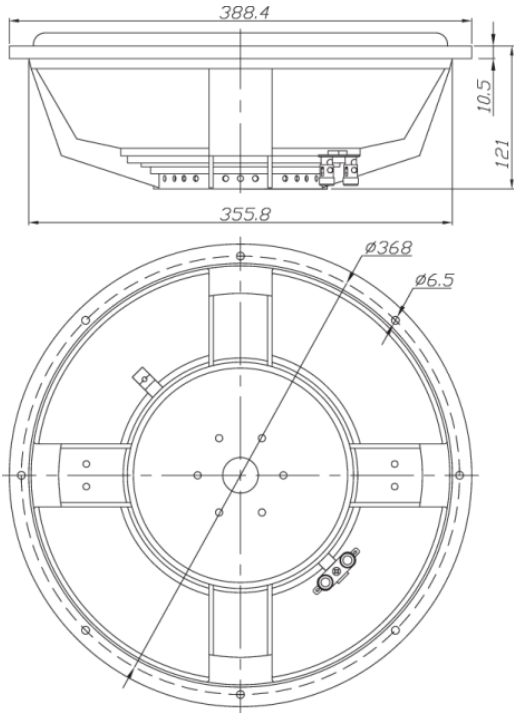




RSS390-PR 15" Aluminum Cone Passive Radiator

RSS390-PR



FEATURES

- SMS (Sandwich Mass System) permits greater linearity by minimizing angular torque
- Durable yet compliant suspension provides substantial linear travel and mechanical stability
- Rigid cast aluminum frame with thick black anodized aluminum cone
- Threaded rod with lock nut for easy adjustment of tuning frequency
- Includes 7-75 gram weighted disks for simple tuning adjustment

Default Parameters (driver only)

Fs	18.2 Hz
Qms	4.07
Mms	400g
Cms	0.22 mm/N
Sd	829.6 cm ²
Vd	2,488.8 cm ³
Vas	212.8 liters
Xmax	30 mm

Note: Parameters above are for the passive only with no additional mass added. Parameters with additional mass added are listed in the table below.

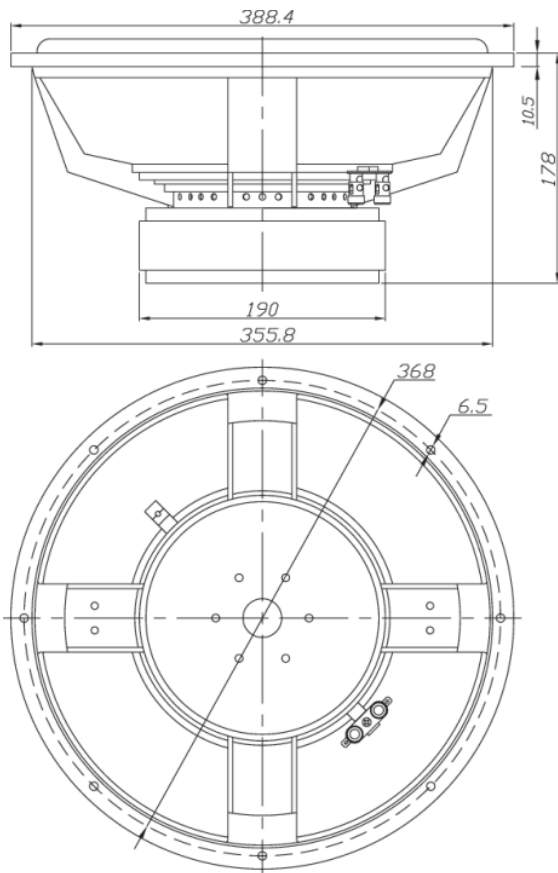
Parameters with Added Mass

RSS390-PR	0 disk	1 disk	2 disk	3 disk	4 disk	5 disk	6 disk	7 disk	
Mmpr	400	475	550	625	700	775	850	925	g
Fpr	18.2	16.7	15.5	14.5	13.7	13.1	12.5	11.9	Hz
Qmpr	4.07	4.43	4.77	5.09	5.38	5.66	5.93	6.19	
Vapr	212.8	These parameters remain the same							liters
Cmpr	0.218								mm/N
Rmpr	12.41								kg/s
Xmech	30								mm
Sd	829.6								cm²
Vd	2,488.80								cm³



RSS390HO-4 15" Reference HO Subwoofer 4 Ohm

RSS390HO-4



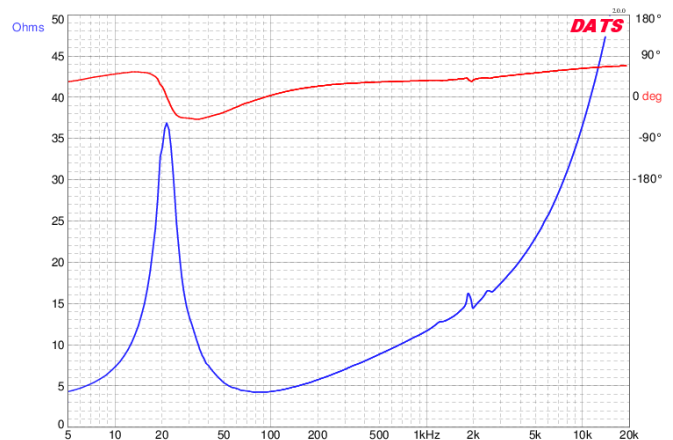
PARAMETERS

Impedance	4 ohms
Re	3.2 ohms
Le	1.79 mH @ 1 kHz
Fs	21.5 Hz
Qms	3.69
Qes	0.35
Qts	0.32
Mms	319g
Cms	0.17 mm/N
Sd	829.6 cm ²
Vd	995.5 cm ³
BL	19.8 Tm
Vas	168 liters
Xmax	12.0 mm
VC Diameter	64 mm
SPL	92.8 dB @ 2.83V/1m
RMS Power Handling	800 watts
Usable Frequency Range (Hz)	21 - 600 Hz

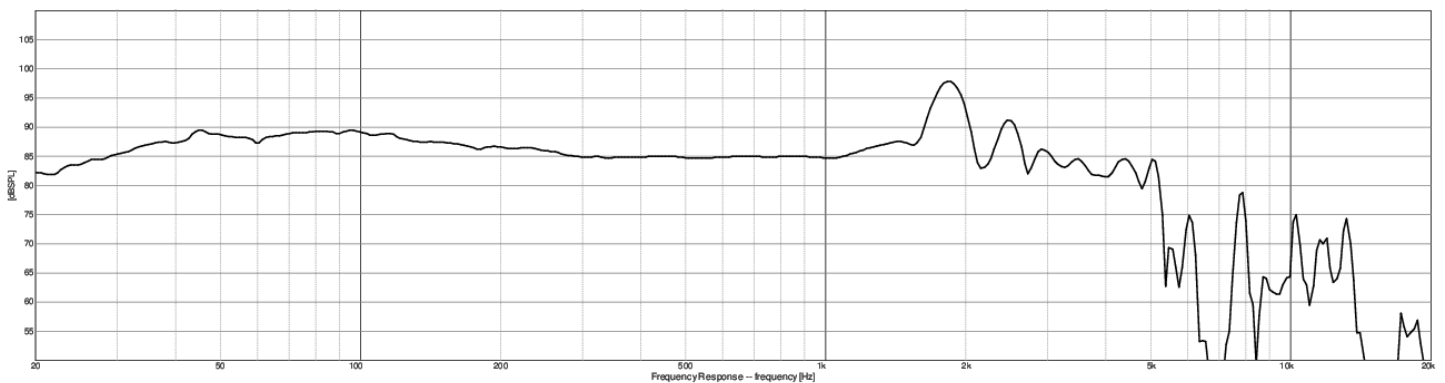
FEATURES

- Extensively vented motor eliminates compression and allows quiet excursion
- Lightweight black anodized aluminum cone for rigidity and lower moving mass
- Triple shorting ring motor for ultra-low distortion
- 2-layer coil for reduced back EMF
- Suitable for sealed or vented enclosures

IMPEDANCE/PHASE



FREQUENCY RESPONSE



Note: 1/24th octave smoothing - nearfield response included in graph below 450 Hz.

Black = 0°