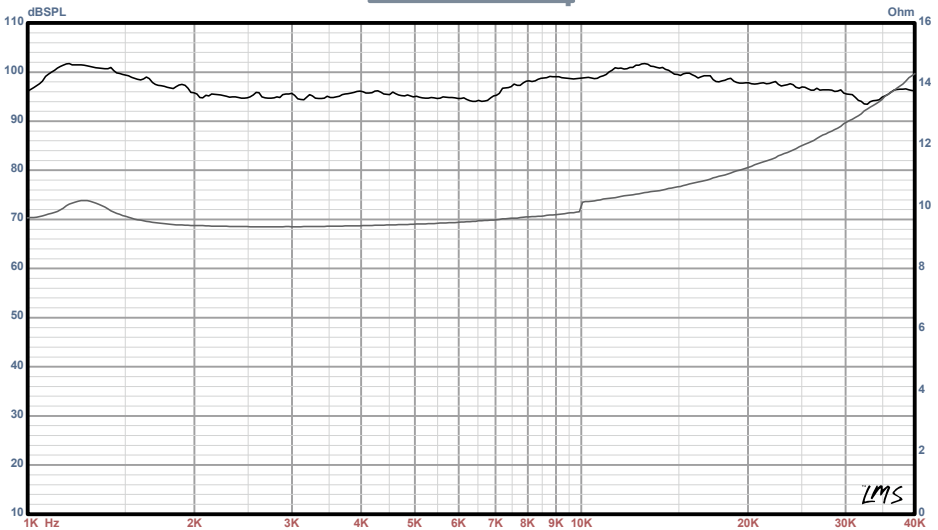




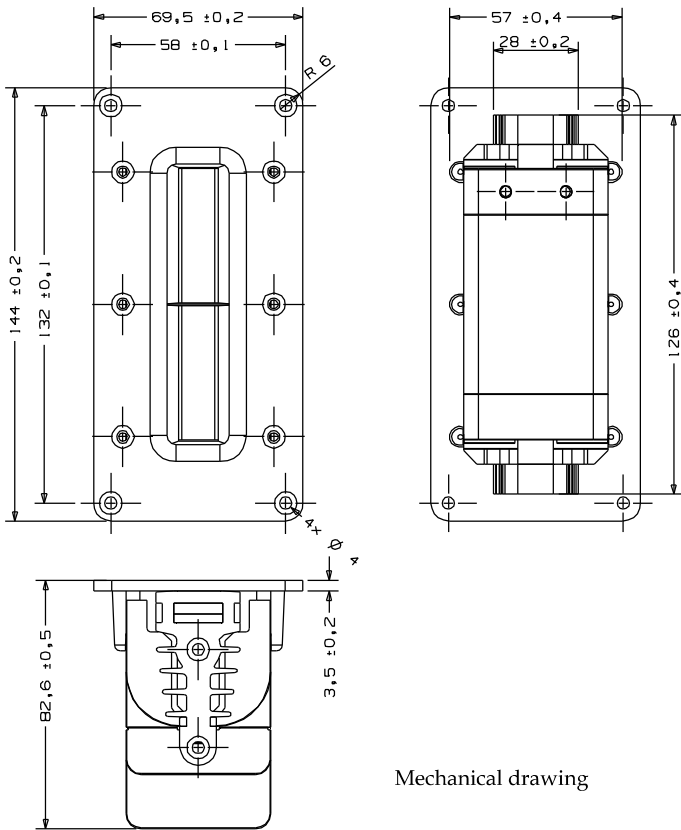
NeoX3.0 ribbon tweeter

- Fountek's 3rd generation ribbon driver technology
- 12 mm wide reinforced sandwich ribbon diaphragm
- High power handling, low distortion, very fast response
- Strong Neodymium magnet
- Built-in impedance converting transformer

SPL vs Freq



on-axis frequency response



Mechanical drawing

Parameter	
Sensitivity	95dB/1m/2.83v
Power handling	30W nominal, 50W max
Frequency range	1,200-40,000Hz
Nominal impedance	8 ohm
DCR	0.02 ohm
Ribbon dimension	12x80x0.015mm
Effective ribbon area	960 square millimeter
Ribbon weight	36 milligram
Gap flux	0.4 Telsa average
Gap height	13 millimeter
Recommend crossover frequency	2,000Hz with 2-order
Net. Weight	1015 gram