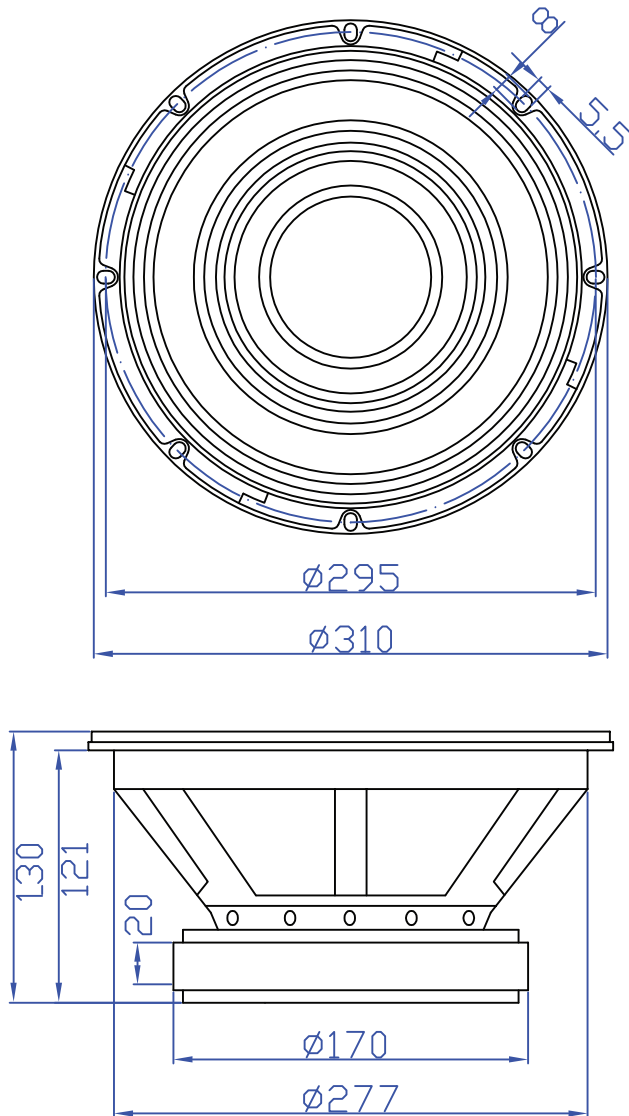




12PT-8 12" Professional Woofer

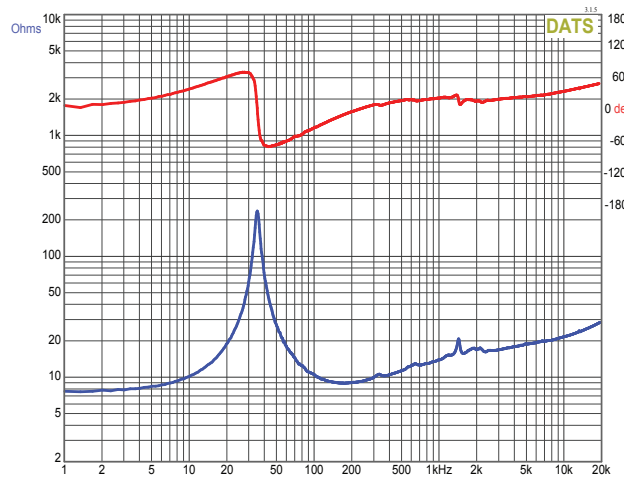
MECHANICAL DRAWING



FEATURES

- Lightweight ribbed paper cone allows high efficiency with minimal resonance
- Smooth on and off axis response up to 2,000 Hz for use in high output 2 or 3-way designs
- 3" diameter voice coil on heat resistant Kapton former easily handles up to 350 watts RMS
- Extensive venting keeps cool air flowing across the voice coil to minimize power compression
- Inductance lowering copper cap reduces distortion and extends high frequency response
- Spring-loaded push-button terminals makes wire connections quick and easy
- Foam front gasket ensures an airtight seal for rear mount installations

IMPEDANCE/PHASE

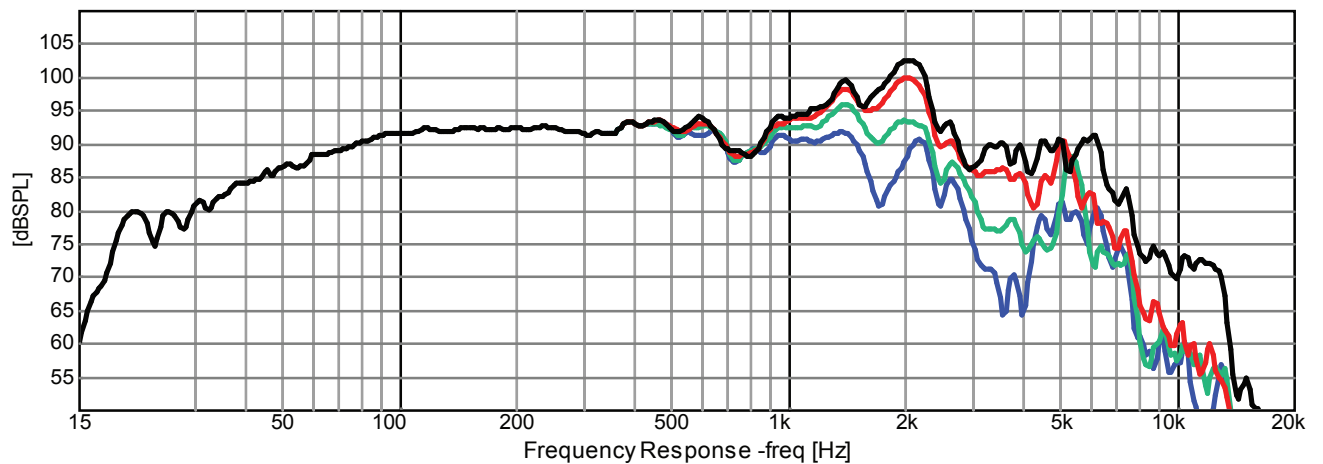


PARAMETERS

Impedance	8 ohms
Re	7.6 ohms
Le	1.9 mH
Fs	35 Hz
Qms	12.10
Qes	0.40
Qts	0.39
Mms	73 g
Cms	0.28 mm/N
Sd	530.9 cm ²
Vd	414.1 cm ³
BL	17.4 Tm
Vas	112 liters
Xmax	7.8 mm*
Top Plate Height	7 mm
Voice Coil Length	16 mm
VC Diameter	76.5 mm
SPL	93 @ 2.83V/1m
RMS Power Handling (AES 426B)	350 watts
Usable Frequency Range (Hz)	35 - 7,000 Hz

$$* X_{max} = \left[\frac{\text{Voice Coil Length} - \text{Top Plate Height}}{2} \right] + 1/3 \text{ Top Plate Height}$$

FREQUENCY RESPONSE



OmniMic

Note: 1/24th octave smoothing - nearfield response included in graph below 450 Hz.