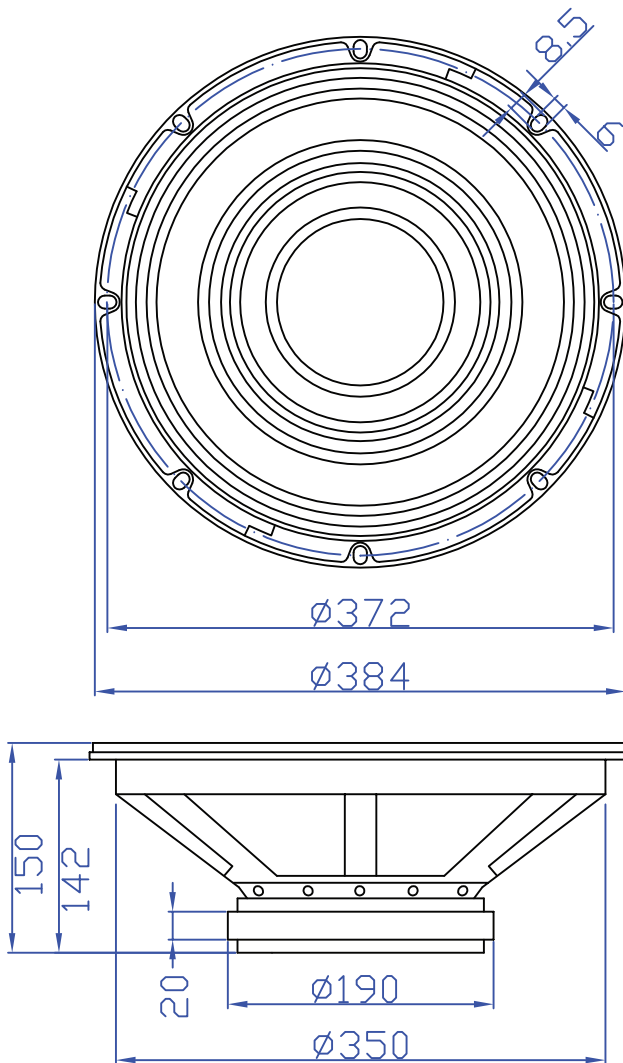




# 15PT-8 15" Professional Woofer

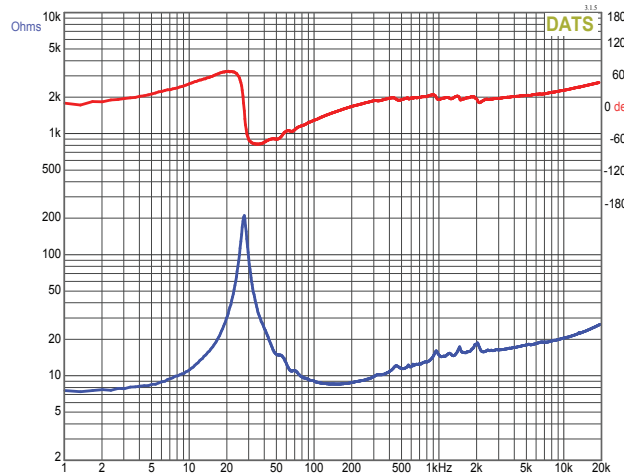
## MECHANICAL DRAWING



## FEATURES

- Lightweight ribbed paper cone allows high efficiency with minimal resonance
- Excellent choice for high output 3-way designs and compact portable subwoofers
- 3" diameter voice coil on heat resistant Kapton former handles up to 350 watts RMS
- Extensive venting keeps cool air flowing across the voice coil to minimize power compression
- Inductance lowering copper cap reduces distortion and extends high frequency response
- Spring-loaded push-button terminals makes wire connections quick and easy
- Foam front gasket ensures an airtight seal for rear mount installations

## IMPEDANCE/PHASE

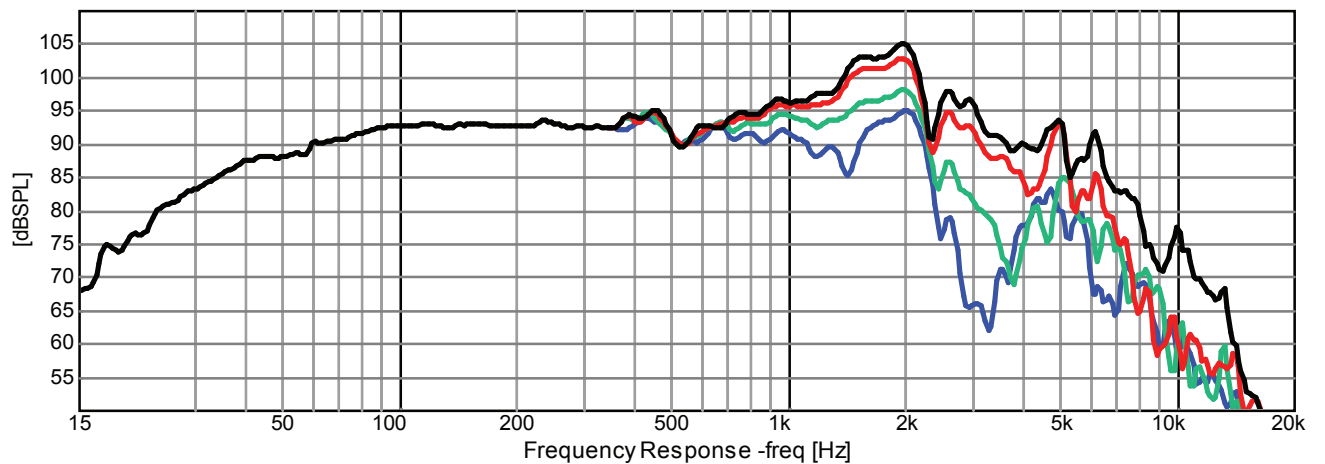


## PARAMETERS

Impedance	8 ohms
Re	7.4 ohms
Le	2.1 mH
Fs	28 Hz
Qms	11.70
Qes	0.43
Qts	0.41
Mms	137 g
Cms	0.24 mm/N
Sd	829.6 cm <sup>2</sup>
Vd	647.1 cm <sup>3</sup>
BL	20.2 Tm
Vas	242 liters
Xmax	7.8 mm*
Top Plate Height	7 mm
Voice Coil Length	16 mm
VC Diameter	76.5 mm
SPL	93 @ 2.83V/1m
RMS Power Handling (AES 426B)	350 watts
Usable Frequency Range (Hz)	30 - 6,000 Hz

$$* X_{max} = \left[ \frac{\text{Voice Coil Length} - \text{Top Plate Height}}{2} \right] + 1/3 \text{ Top Plate Height}$$

## FREQUENCY RESPONSE



OmniMic

Note: 1/24<sup>th</sup> octave smoothing - nearfield response included in graph below 450 Hz.