



**5SMP-4**  
**5-1/4" WOOFER**  
**SURFACE MOUNT**  
**POLY CONE 4 OHM**

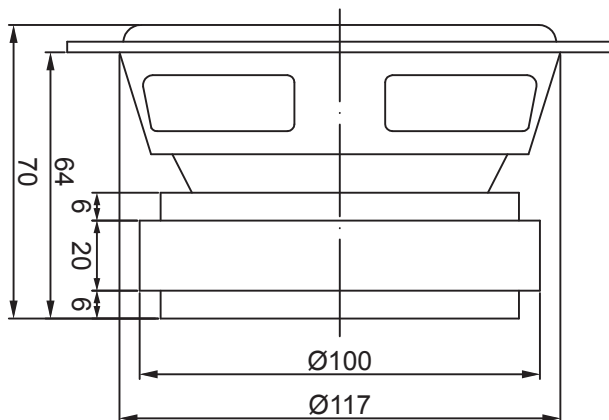
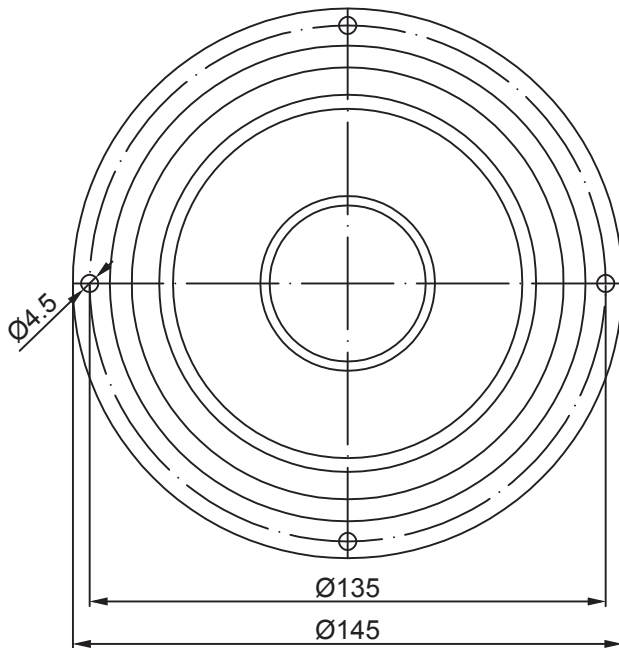
**FEATURES**

- Damped poly cone with rubber surround for controlled resonance
- Copper cap reduces inductance and distortion
- Low profile frame suitable for surface mount installations
- Vented pole piece improves cooling to limit power compression
- Aluminum voice coil former for rapid heat transfer and thermal stability
- Integrated foam gasket for an airtight cabinet seal

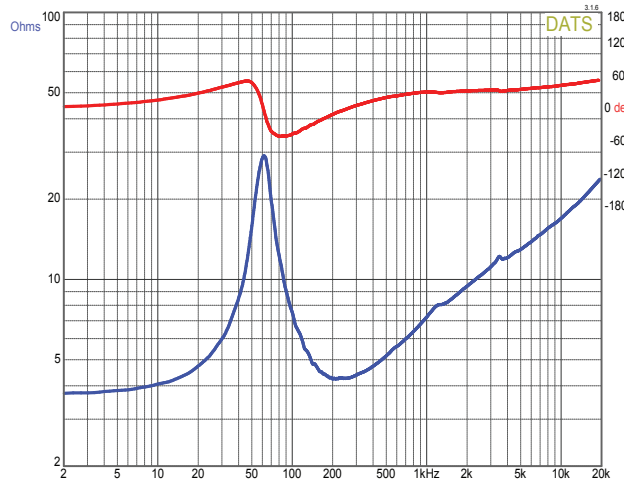
**PARAMETERS**

Impedance:	4 ohms
Re:	3.7 ohms
Le:	0.58 mH
Fs:	62 Hz
Qms:	4.21
Qes:	0.62
Qts:	0.54
Mms:	10.4g
Cms:	0.63 mm/N
Sd:	80 cm <sup>2</sup>
Vd:	16 cm <sup>3</sup>
BL:	4.9 Tm
Vas:	6 liters
Xmax:	2 mm
VC Diameter:	26 mm
SPL:	88.8 dB@2.83V/1m
RMS Power handling:	35 watts
Usable Frequency Range (Hz):	50 – 2,500 Hz

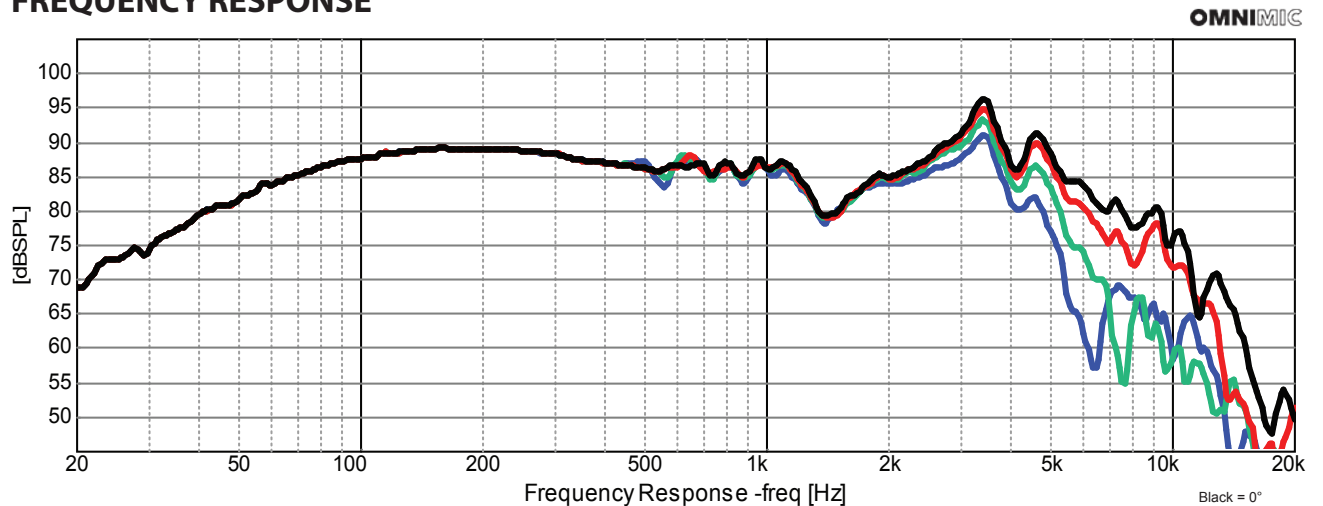
**MECHANICAL DRAWING**



**IMPEDANCE/PHASE**



**FREQUENCY RESPONSE**



Note: 1/24<sup>th</sup> octave smoothing - nearfield response included in graph below 450 Hz.

Black = 0°  
 Red = 15°  
 Green = 30°  
 Blue = 45°