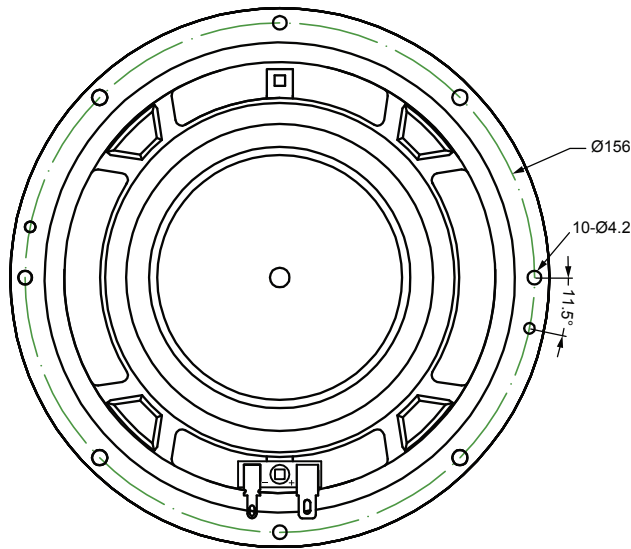
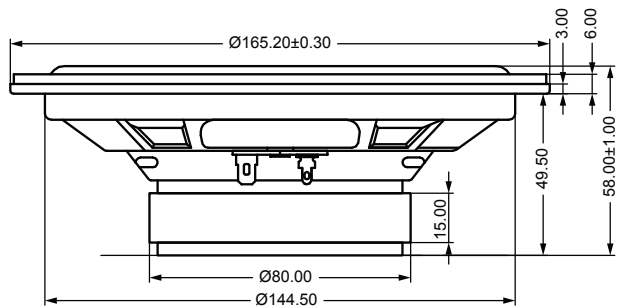




6LPSW-4
6-1/2" LOW PROFILE
SUBWOOFER
4 OHM

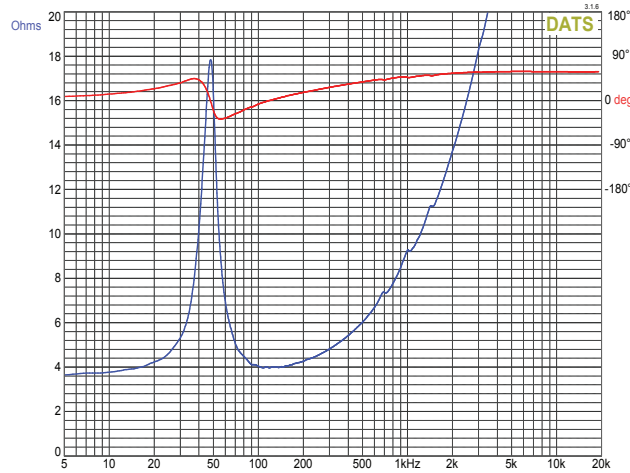
MECHANICAL DRAWING



FEATURES

- Low profile subwoofer fits in tight spaces
- High excursion capability for powerful low frequency output
- Butyl rubber surround ensures durability
- Great Replacement Speaker

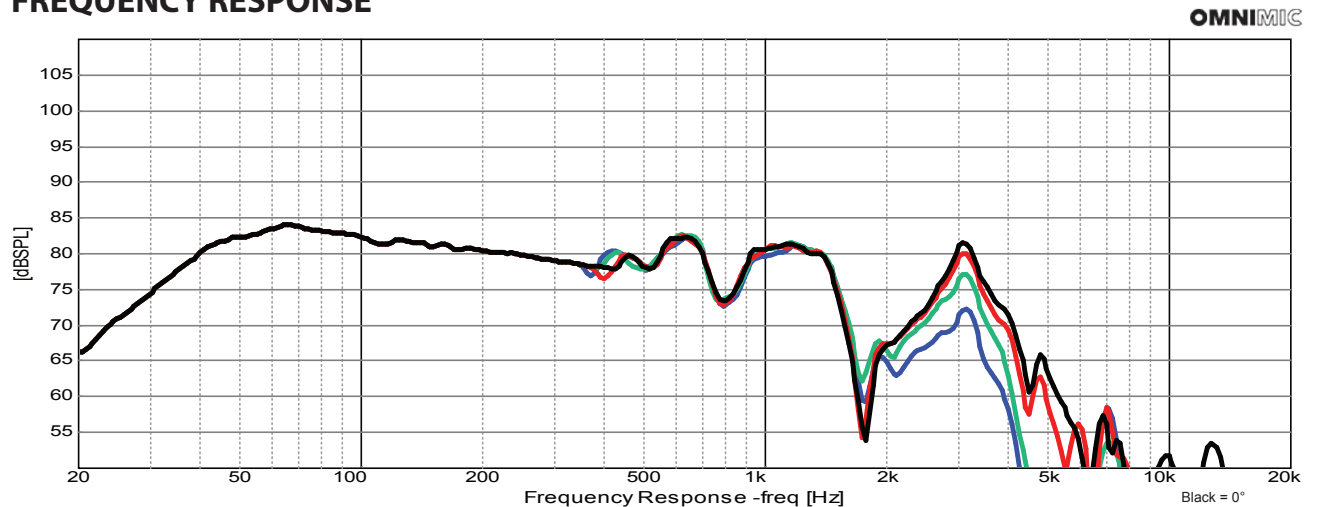
IMPEDANCE/PHASE



PARAMETERS

Impedance	4 ohms
Re	3.7 ohms
Le	1.0 mH @ 1k
Fs	48 Hz
Qms	5.26
Qes	1.35
Qts	1.07
Mms	35.8 g
Cms	0.31 mm/N
Sd	103.8 cm ²
Vd	415.2 cm ³
BL	5.39 Tm
Vas	7.6 liters
Xmax	4 mm
VC Diameter	38 mm
SPL	83.2 dB @ 2.83V/1m
RMS Power Handling (AES 426B)	30 watts
Usable Frequency Range (Hz)	47 - 1,500 Hz

FREQUENCY RESPONSE



Note: 1/24th octave smoothing - nearfield response included in graph below 450 Hz.

Black = 0°
 Red = 15°
 Green = 30°
 Blue = 45°