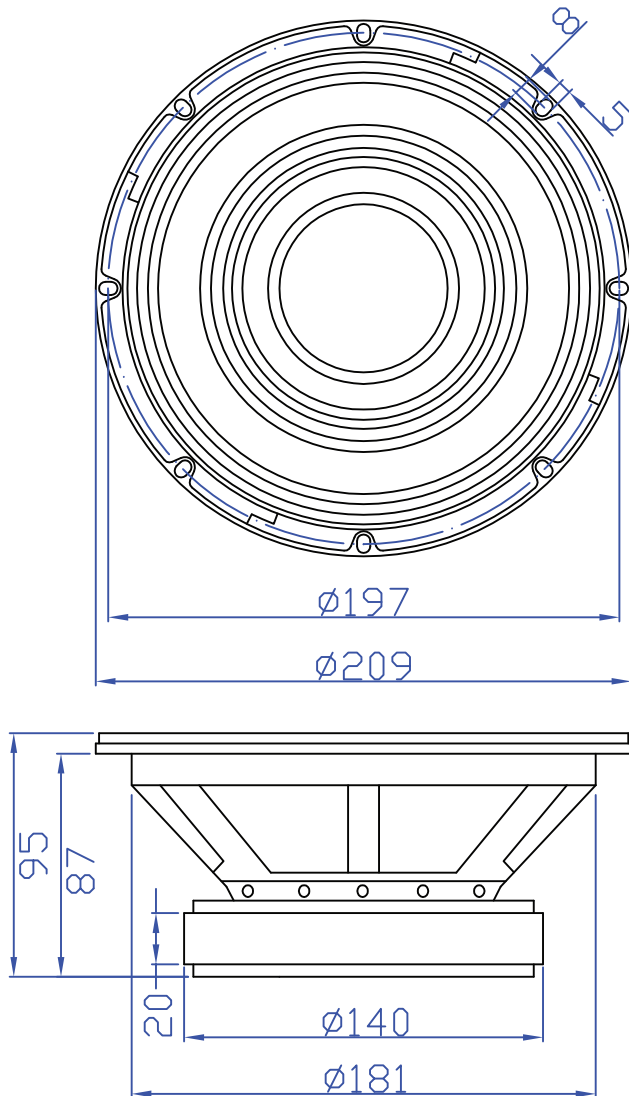




8PT-8

8" Professional Midbass

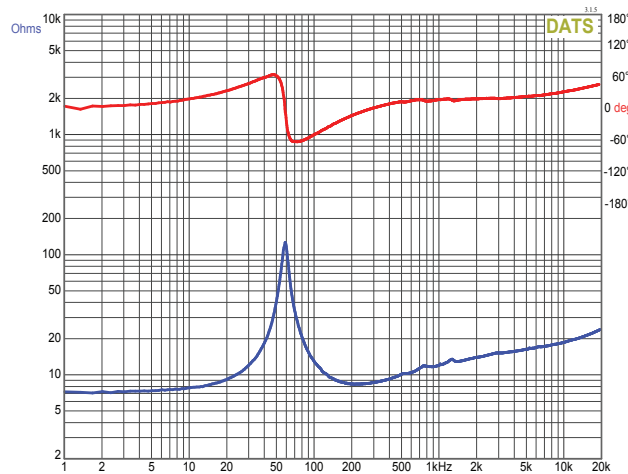
MECHANICAL DRAWING



FEATURES

- Lightweight ribbed paper cone allows high efficiency with minimal resonance
- Smooth on and off axis response up to 3,000 Hz for use in high output 2 or 3-way designs
- Extensive venting keeps cool air flowing across the voice coil to minimize power compression
- Inductance lowering copper cap reduces distortion and extends high frequency response
- Spring-loaded push-button terminals makes wire connections quick and easy
- Foam front gasket ensures an airtight seal for rear mount installations

IMPEDANCE/PHASE

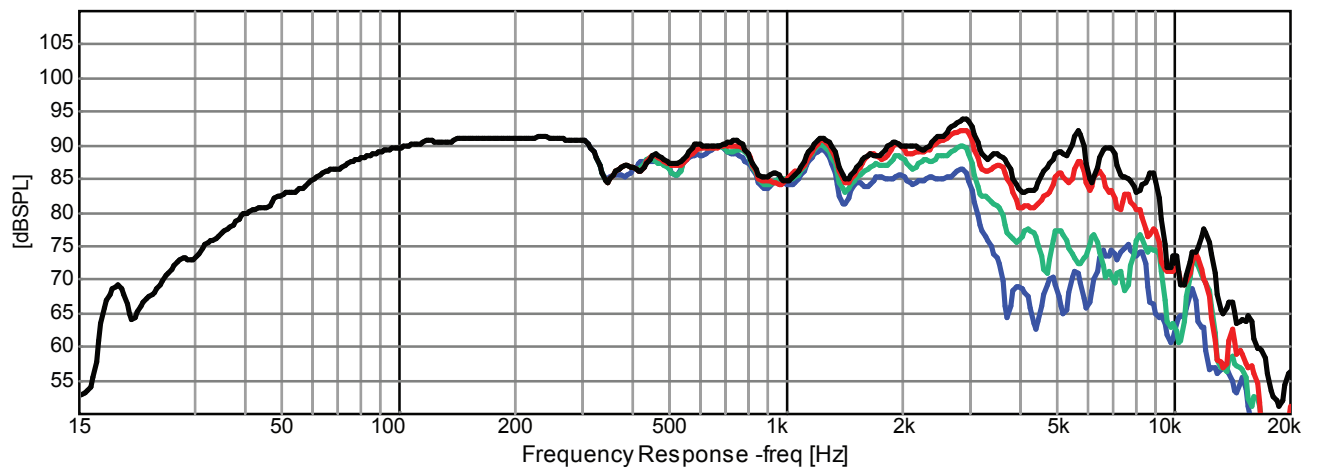


PARAMETERS

| | |
|-------------------------------|-----------------------|
| Impedance | 8 ohms |
| Re | 7.1 ohms |
| Le | 1.5 mH |
| Fs | 59 Hz |
| Qms | 9.93 |
| Qes | 0.59 |
| Qts | 0.55 |
| Mms | 23 g |
| Cms | 0.31 mm/N |
| Sd | 212.6 cm ² |
| Vd | 138.2 cm ³ |
| BL | 10.2 Tm |
| Vas | 20.2 liters |
| Xmax | 6.5 mm* |
| Top Plate Height | 6 mm |
| Voice Coil Length | 16 mm |
| VC Diameter | 50.8 mm |
| SPL | 92 @ 2.83V/1m |
| RMS Power Handling (AES 426B) | 150 watts |
| Usable Frequency Range (Hz) | 55 - 9,000 Hz |

$$* X_{max} = \left[\frac{\text{Voice Coil Length} - \text{Top Plate Height}}{2} \right] + 1/3 \text{ Top Plate Height}$$

FREQUENCY RESPONSE



OmniMic

Note: 1/24th octave smoothing - nearfield response included in graph below 450 Hz.