



DTM-8 1/2" POLY DOME TWEETER

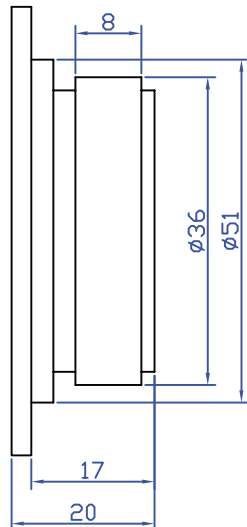
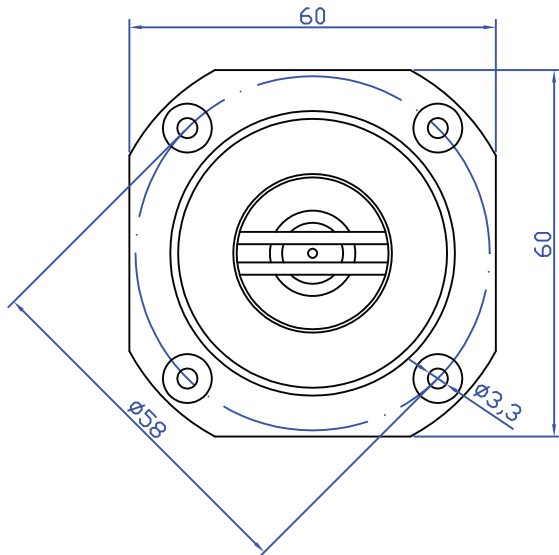
FEATURES

- High sensitivity output designed for pro audio duty
- 1" PEI diaphragm for a smooth response
- Compact size to fit in the tightest spaces for smaller boxes
- 5,000 Hz crossover point is perfect for 2-way and 3-way designs

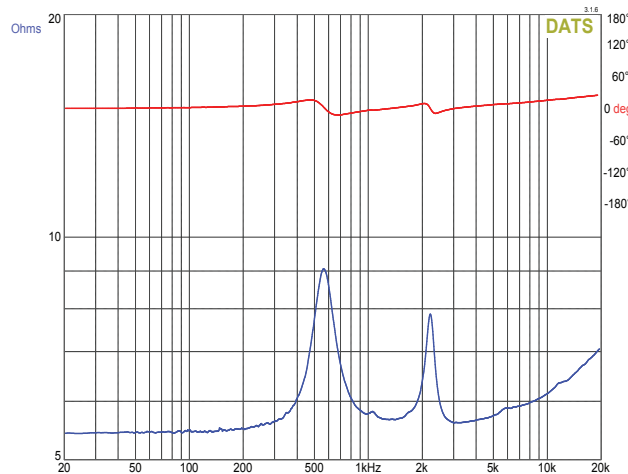
PARAMETERS

Impedance	8 ohms
Re	5.4 ohms
Le	0.026 mH @ 10kHz
Fs	2,200 Hz
Qms	3.46
Qes	5.24
Qts	2.08
Mms	N/A
Cms	N/A
Sd	N/A
Vd	N/A
BL	N/A
Vas	N/A
Xmax	N/A
VC Diameter	12.7 mm
SPL	90 dB @ 2.83V/1m
RMS Power Handling	10 watts
Usable Frequency Range (Hz)	5,000 – 20,000 Hz

MECHANICAL DRAWING



IMPEDANCE/PHASE



FREQUENCY RESPONSE

