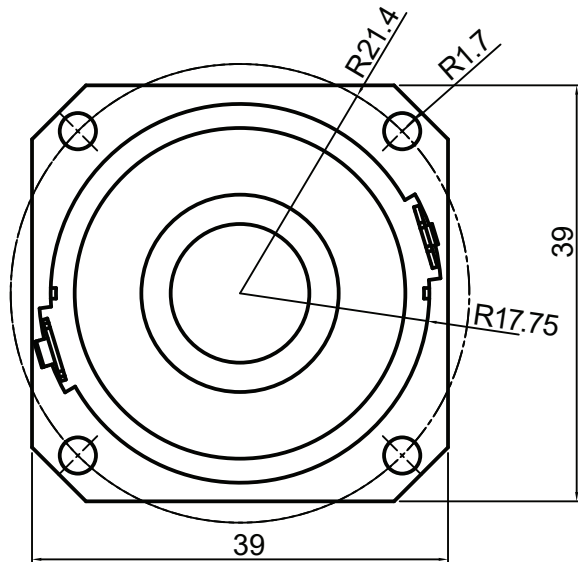
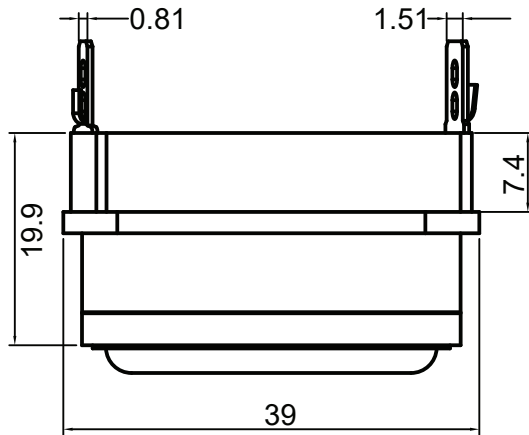




NRT25-8
1" EXTENDED
RANGE DRIVER
8 OHM

MECHANICAL DRAWING

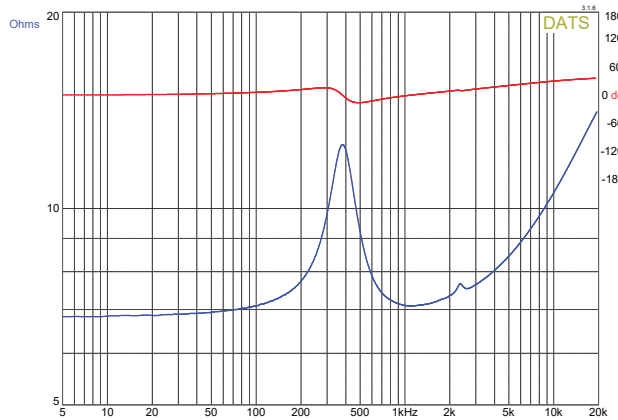


Last Revised: 10/31/2023

FEATURES

- Wide-band, 1" underhung driver with 2.5 mm of Xmax
- Neodymium Radial motor design for extremely low distortion
- Extreme ventilation for great power handling
- Small frame size for reduced center-to-center distance and reduced comb filtering when used in arrays
- Great replacement speaker

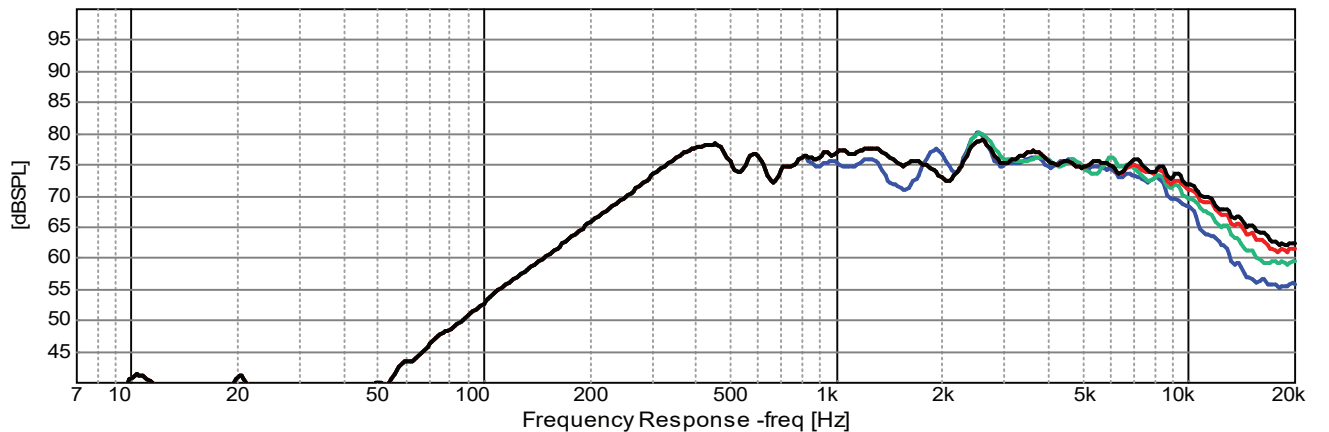
IMPEDANCE/PHASE



PARAMETERS

Impedance	8 ohms
Re	6.9 ohms
Le	0.08 mH@10k
Fs	380 Hz
Qms	2.41
Qes	2.90
Qts	1.32
Mms	0.46g
Cms	0.38 mm/N
Sd	3.76 cm ²
Vd	9.4 cm ³
BL	1.62 Tm
Vas	0.01 liters
Xmax	2.5 mm
VC Diameter	20 mm
SPL	75.7 dB @ 2.83V/1m
RMS Power Handling (AES 426B)	5 watts
Usable Frequency Range (Hz)	250 - 15,000 Hz

FREQUENCY RESPONSE



Note: 1/24th octave smoothing - nearfield response included in graph below 450 Hz.

Black = 0°
 Red = 15°
 Green = 30°
 Blue = 45°