



PT2522C-4 3-1/2" PLANAR TWEETER WITH BACK CUP 4 OHM

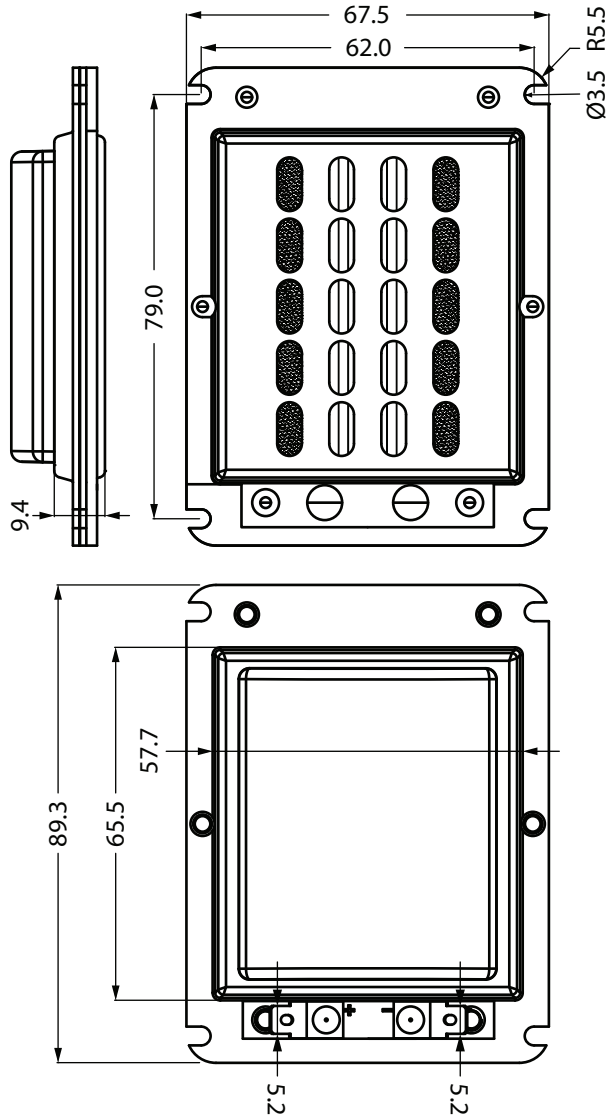
FEATURES

- Extremely low mass diaphragm provides excellent transient response and accuracy
- Large diaphragm produces high efficiency and wide bandwidth
- Multiple neodymium magnets in push pull arrangement for incredible control and low distortion
- Remarkably flat response even at 30 degrees off axis
- Linear impedance simplifies crossover design
- Shallow mounting depth for use in low profile designs

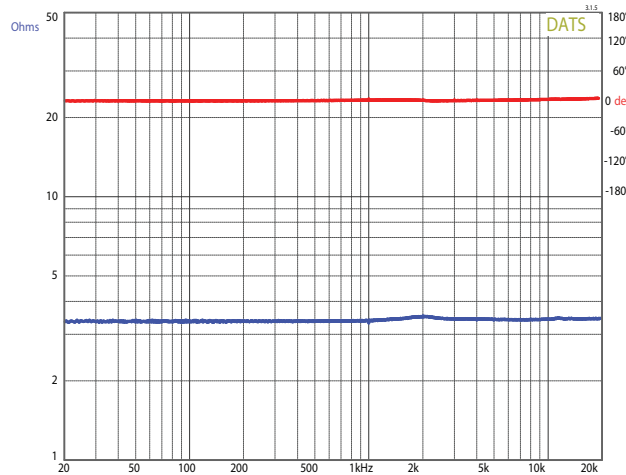
PARAMETERS

| | |
|----------------------------------|----------------------|
| Impedance | 4 ohms |
| Re | 3.4 ohms |
| Le | 0.01 mH @ 10 kHz |
| Fs | N/A |
| Qms | 5.16 |
| Qes | N/A |
| Qts | 4.46 |
| Mms | N/A |
| Cms | N/A |
| Sd | 20.2 cm ² |
| Vd | N/A |
| BL | N/A |
| Vas | N/A |
| Xmax | N/A |
| VC Diameter | N/A |
| SPL | 94 dB @ 2.83V/1m |
| RMS Power Handling (EIA RS-426B) | 20 watts |
| Usable Frequency Range (Hz) | 1,800 - 20,000 Hz |

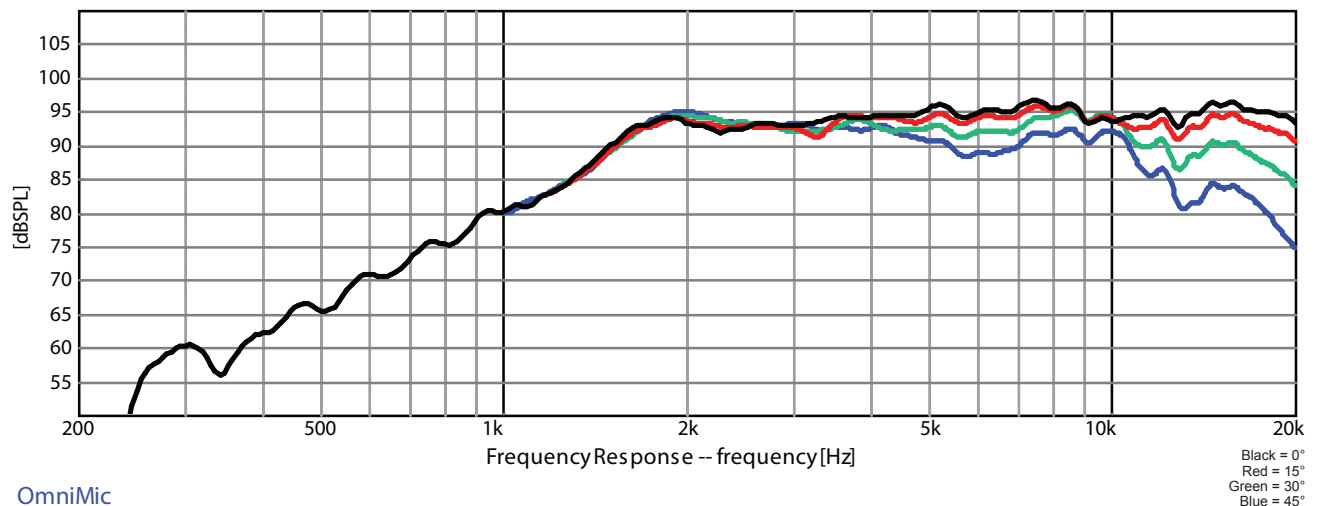
MECHANICAL DRAWING



IMPEDANCE/PHASE



FREQUENCY RESPONSE



OmniMic

Black = 0°
Red = 15°
Green = 30°
Blue = 45°