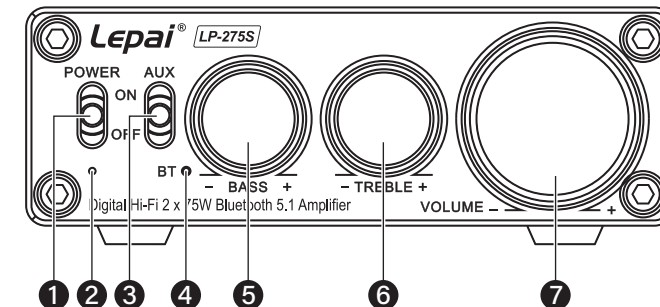


# LP-275S Digital Hi-Fi 2 x 75W Bluetooth 5.1 Amplifier with Power Supply

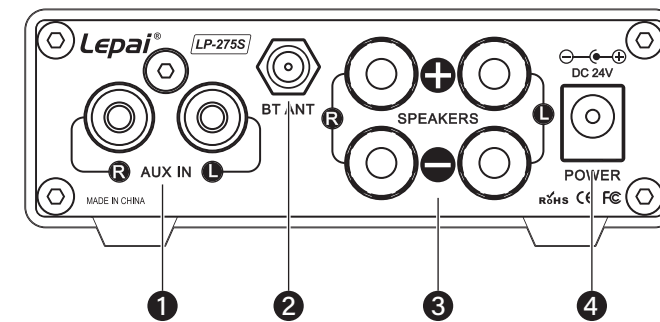
## User Manual

### Introduction

#### Front Panel



#### Rear Panel



1

#### Front Panel

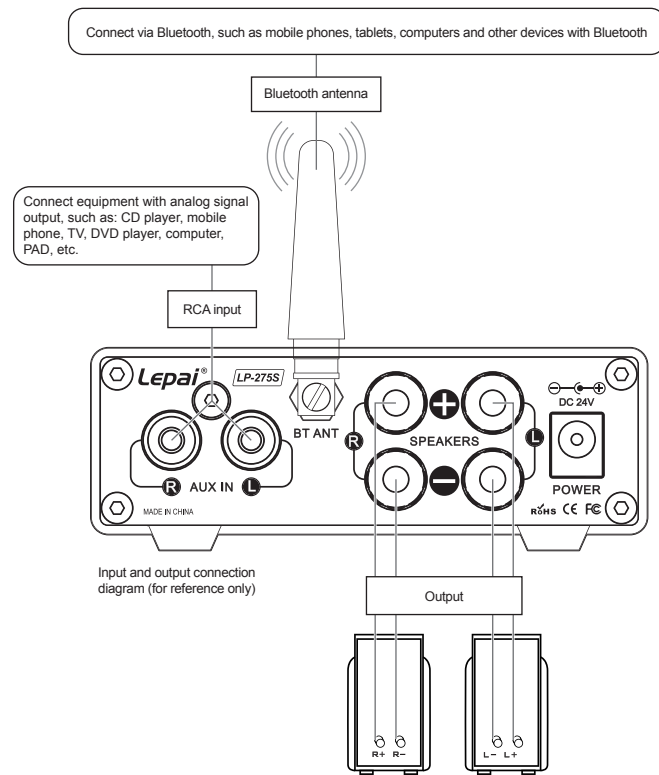
1. ON/OFF: Up for ON, down for OFF
2. Power indicator
3. AUX/Bluetooth switching knob: Up for AUX, down for Bluetooth
4. Bluetooth indicator
5. Bass control
6. Treble control
7. Volume control

#### Rear Panel

1. AUX input interface: Connect to analog audio source devices like DVD, CD, computer, set-top box etc
2. Bluetooth antenna interface: must screw antenna before using Bluetooth signal input.
3. Speaker output: 4 to 8 ohm
4. DC power supply: 24 VDC 3A

2

### Wiring Instructions



3

### Specifications

- Chipset: ..... CS8673E+AC6951C+NE5532+SGM4806  
 DC power supply: ..... DC 19-24V  
 Inputs: ..... AUX BT  
 Outputs: ..... Binding Post  
 THD+N: ..... <0.05% @ 1kHz A-wt  
 SNR: ..... 85 dB @ 1kHz A-wt  
 Frequency response: ..... ±3 dB (20Hz~20kHz)  
 Adjustable range of treble and bass: ..... ±7 dB / Treble ±7 dB / Bass ±7 dB  
 Power output: ..... 75W\*2 @ 4Ω, THD+N<10%, DC=24V / 40W\*2 @ 8Ω, THD+N<10%, DC=24V  
 Conversion efficiency: ..... >90%  
 Adapted impedance: ..... 4Ω~16Ω  
 BT transmission distance: ..... 10m (barrier-free)  
 Bluetooth AC6951C supported formats: ..... SBC/MC(VS.I+BR+EDR+BLE)

4

### Safety Precautions

1. Please wire in strict accordance with the instructions.
2. Please connect the speakers first and then connect to the amplifier, and make sure that the cables are intact and there is no short circuit.
3. Please adjust the volume to the minimum and then switch on and off the amplifier. Do not plug or unplug the signal cable when the amplifier is working.
4. Please place the amplifier in a flat, dry and ventilated environment.
5. Make sure there is no high-temperature equipment around the amplifier and avoid direct sunlight. If you accidentally pour liquid, please unplug the power plug immediately, and contact a professional to check and deal with it before use.
6. Do not disassemble the amplifier. Please contact us in time if you need to repair it. If you need to dismantle the amplifier for replacement, please contact us for remarks. Once the amplifier is dismantled, it will not be returned or replaced. The buyer shall bear the cost of damage and repair caused by dismantling.
7. Use the included power supply or another power supply with the same specifications.
8. For indoor use only.
9. Unplug the amplifier from the wall outlet when not in use for long periods of time.

5

### Notes

Purchased on: \_\_\_\_\_

6



Lepai® is a registered trademark of Parts Express®



parts-express.com

Last Revised: 6/14/2022