

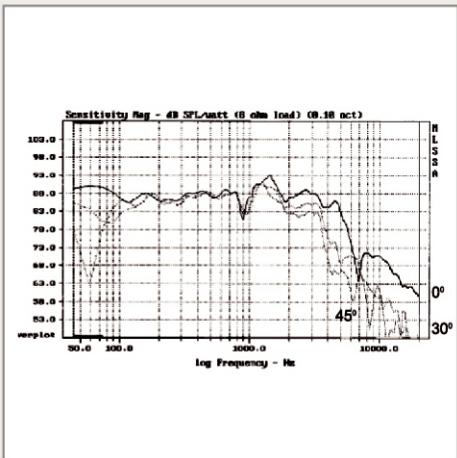
# MW 265 -8" BASS MIDRANGE

## DCP Cone Double Magnet Vented Motor



### FEATURES:

- Large Hexatech aluminum voice coil
- Double magnet system
- High power handling
- Shallow profile DCP cone



### Specifications

Overall Dimensions		222mm(8.7")x69mm(2.7")
Nominal Power Handling (D.N)	P	150 W
Transient power 10ms		1000 W
Nominal Impedance	Z	8 Ohms
Sensitivity 1W/1M		89 dB
Frequency Response		30 - 3600 Hz
Resonant Frequency	FS	30 Hz

### Voice coil

Voice Coil Diameter	DIA	75mm (3")
Voice Coil Height		12mm (0.47")
Voice Coil Former		Aluminum
Voice Coil Wire		Hexatech Aluminum
Number of Layers		2
DC Resistance	RE	5.20 Ohms
Voice Coil Inductance @ 1KHz	LBM	0.58 mH

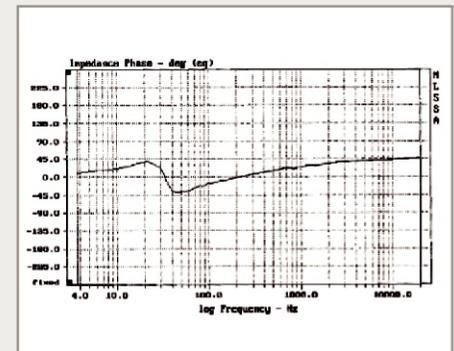
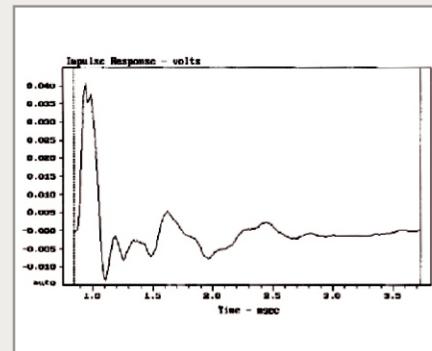
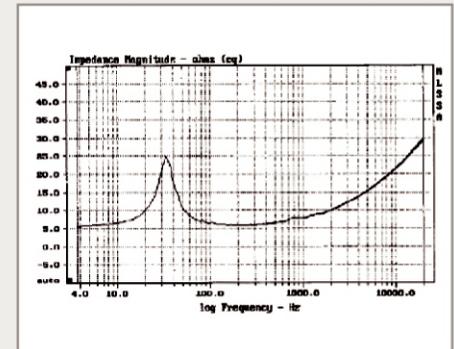
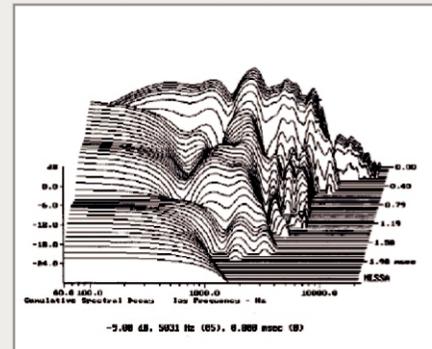
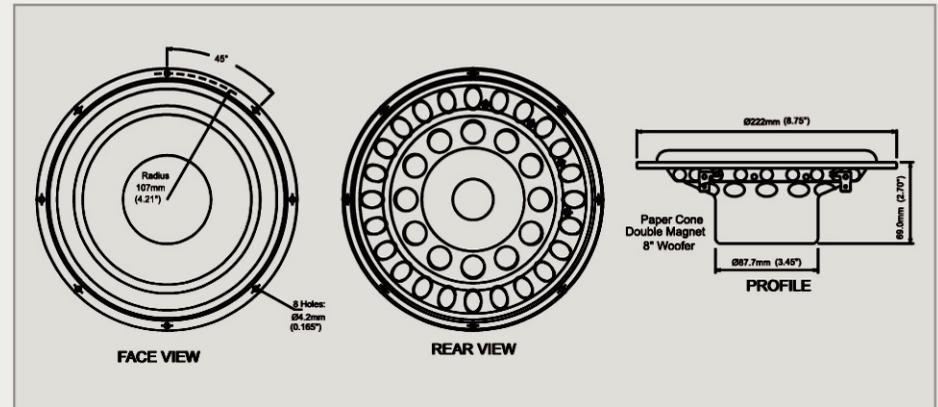
### Magnet System

Magnet System Type		Double Ferrite Vented
HE - Magnetic Gap Height	HE	5mm (0.20")
B Flux Density	B	0.72 T
BL Product	BXL	6.30 N.A
Max. Linear Excursion	X	+/-3.5mm (0.137")

### Operational Parameters

Suspension Compliance	CMS	915 uM / N
Mechanical Q Factor	QMS	2.79
Electrical Q Factor	QES	0.79
Total Q Factor	Q/T	0.61
Mechanical Resistance	RMS	2.006 Kg.
Moving Mass	MMS	25.5 gm
Eq. Cas Air Load (liters)	VAS	61.00 L
Cone / Dome Material		DPC
Effective Piston Area	SD	219 cm <sup>2</sup>
Net Weight	Kg.	1.35 Kg.

# MW 265



morel HIGH FIDELITY



www.morelhifi.com