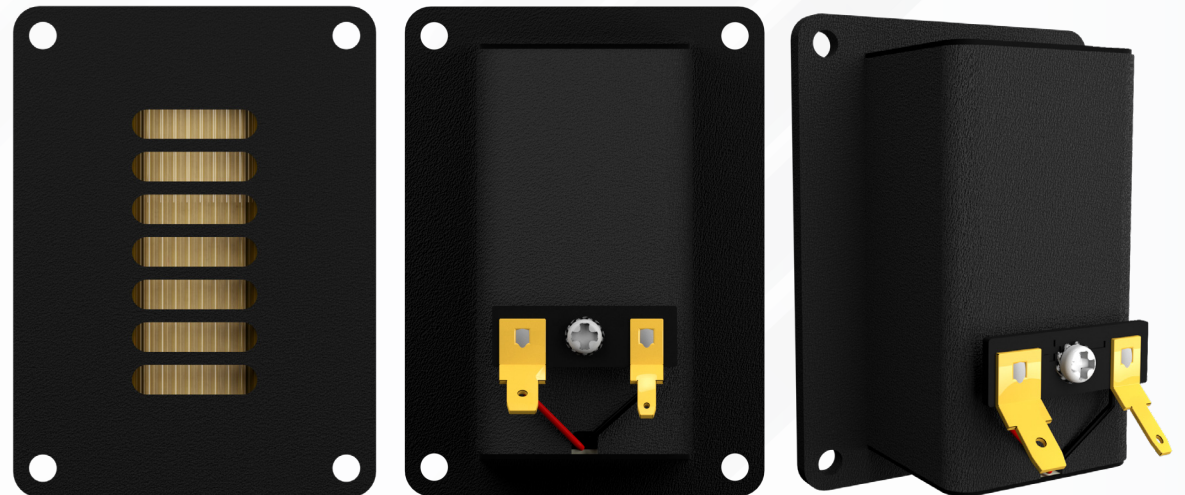


## AMT U60W1.1

Tweeter

Samples available: Immediately  
Start of sale: Immediately

**AMT U60W1.1** and **AMT U80W1.1** could be described as the small and the large all-rounder of this product range. Both can be used in small or medium 2-way and 3-way systems. **AMT U60W1.1** offers a slightly larger vertical radiation angle. So it's ideally suited for situations with a short listening distance. Both convince with the decisive quality features of the **AMT U.Series** with **Mundorf diaphragm**: Exceptionally low K3 / K5 distortion data, a truly powerful music performance within the entire application range and, at the same time, the fine micro-dynamics and richness of music details that distinguish all **Mundorf AMT's**.

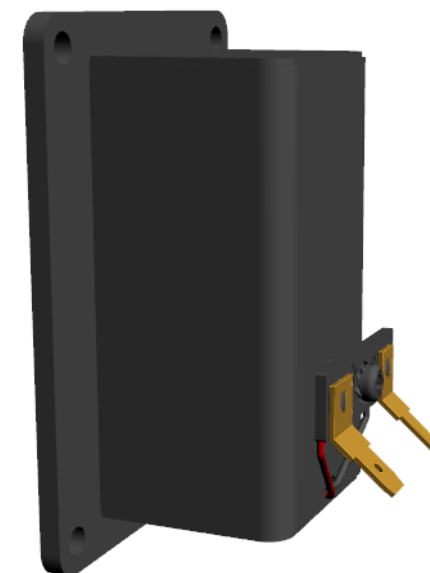


## Specifications

Nominal Impedance	4 Ω
DC Resistance ( $R_{dc}$ ) ( $Z_{min}$ )	4.0 Ω
Sensitivity (2,83 V / 1m) <sup>1</sup>	93 dB
Resonance Frequency (FS)	2350 Hz
Frequency Response (-6dB)	2.1 kHz - 34 kHz
Frequency Response (-10dB) <sup>1</sup>	1.8 kHz - 36 kHz
Crossover from (filter 12dB/6dB/Oct.)	2.2 kHz / 3.3 kHz
Nominal Frequency Range <sup>3</sup>	2.5 kHz - 34 kHz
Power Handling, long term <sup>1,2</sup>	10 W <sub>rms</sub>
Power Handling, short term <sup>1,2</sup>	70 W <sub>rms</sub>
Max. Input Voltage, long term <sup>1,2</sup>	6.3 V <sub>rms</sub>
Max. Input Voltage, short term <sup>1,2</sup>	16.4 V <sub>rms</sub>
Effective Piston Area	20.1 cm <sup>2</sup>
Total Weight	0.254 kg
Face Plate	optional

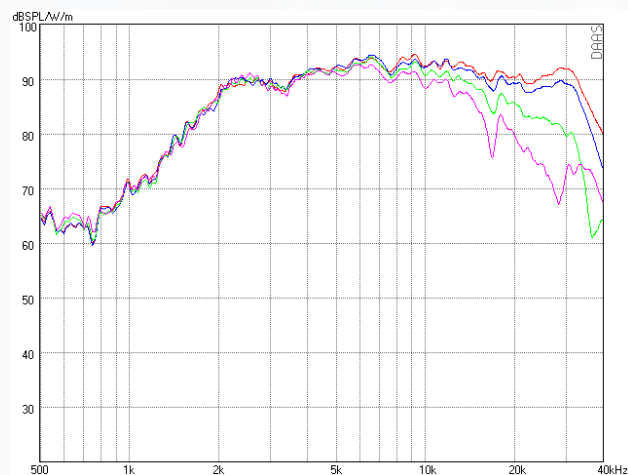
1) according to IEC 60268-5  
 2) via High Pass Filter, Butterworth 2500 Hz 12 dB/Okt.  
 3) according to power measurement

## Interactive 3D Model

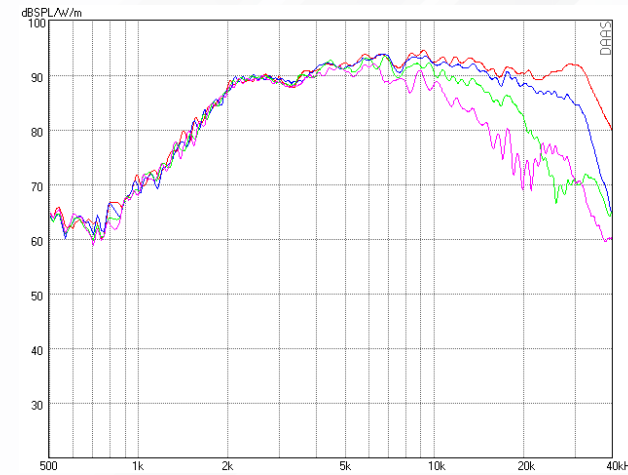


## Measurements

SPL Horizontal 0° - 15° - 30° - 45°

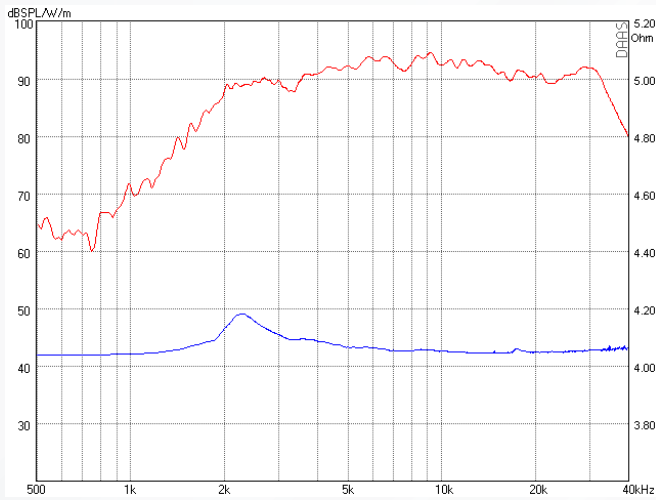


SPL Vertical 0° - 10° - 20° - 30°

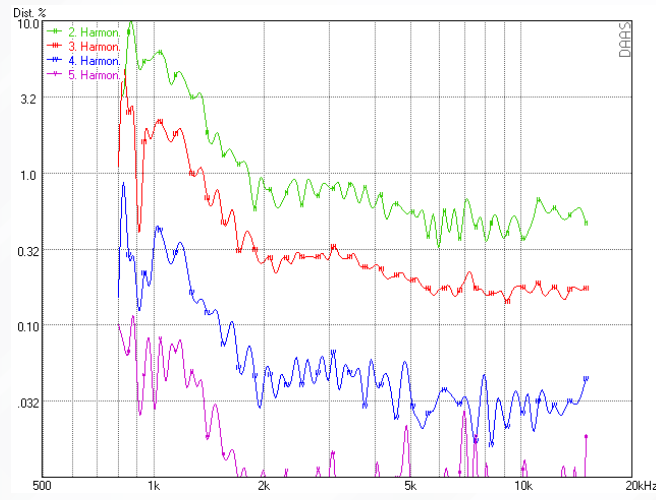


## Measurements

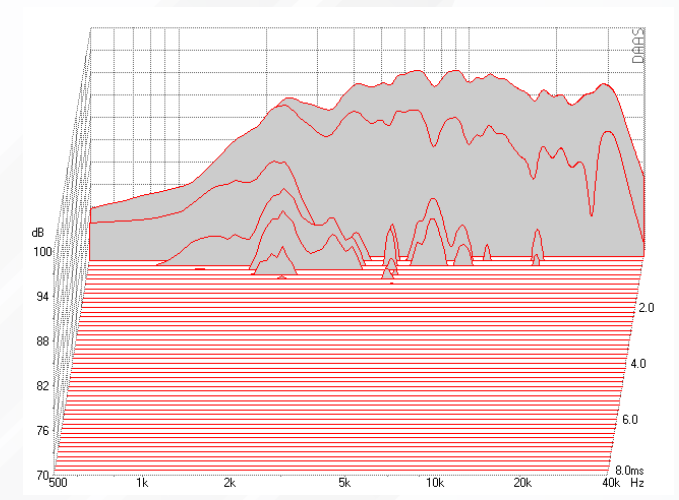
### SPL - Impedance



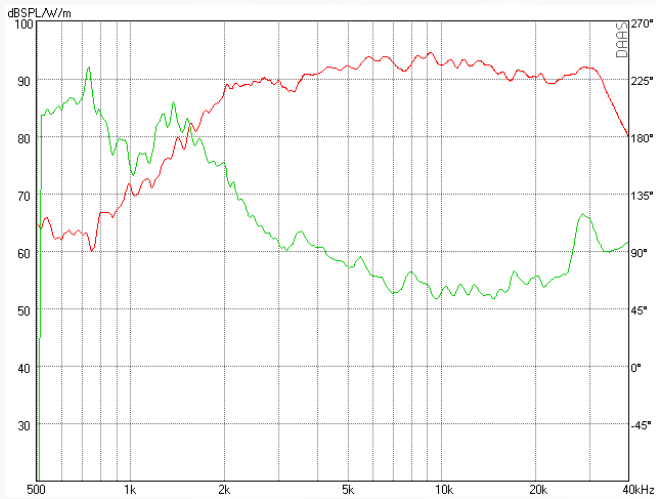
### Harmonic Distortion 2.83 V



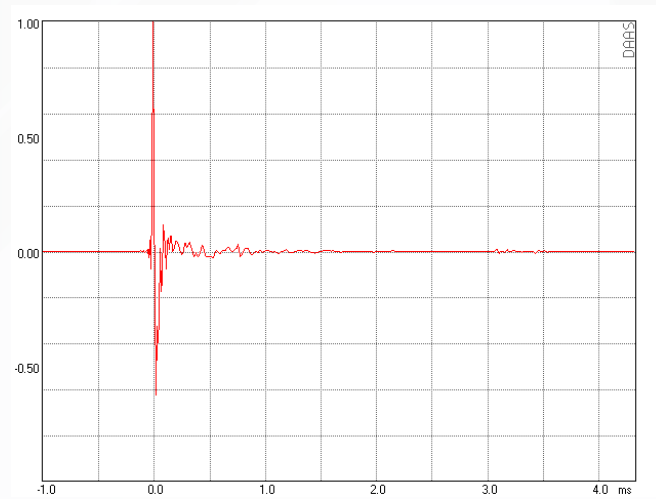
### Waterfall



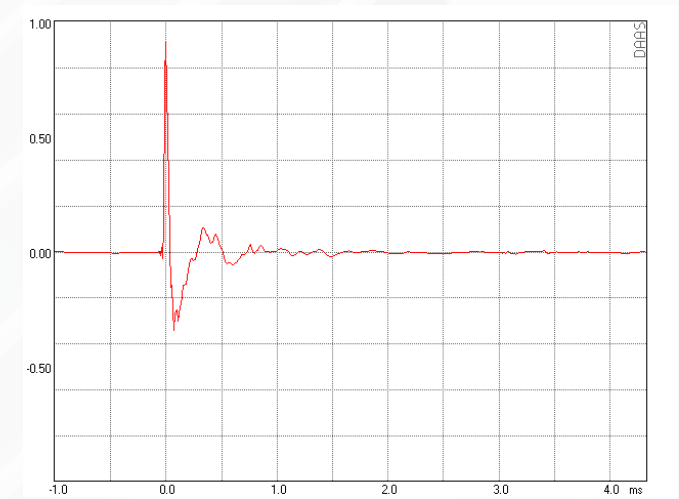
### SPL - Phase



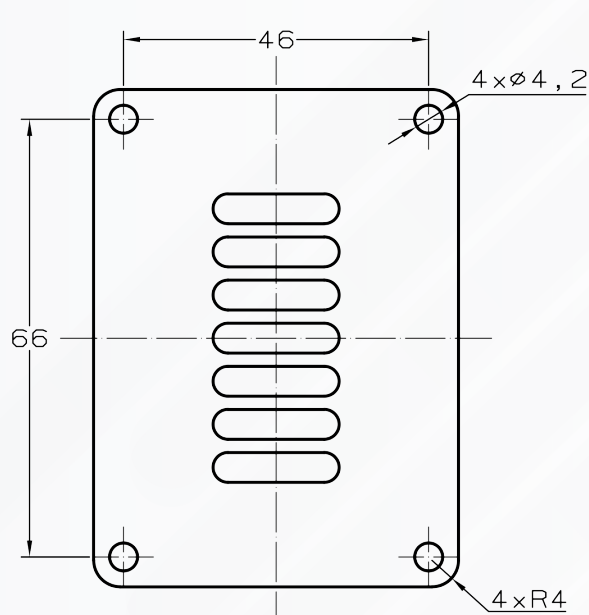
### Impulse Response



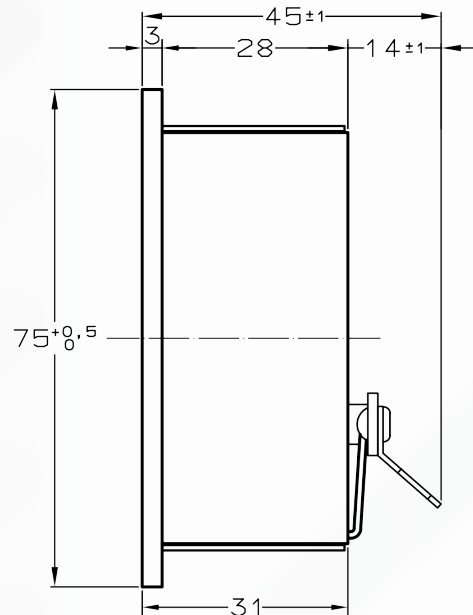
### Step Response



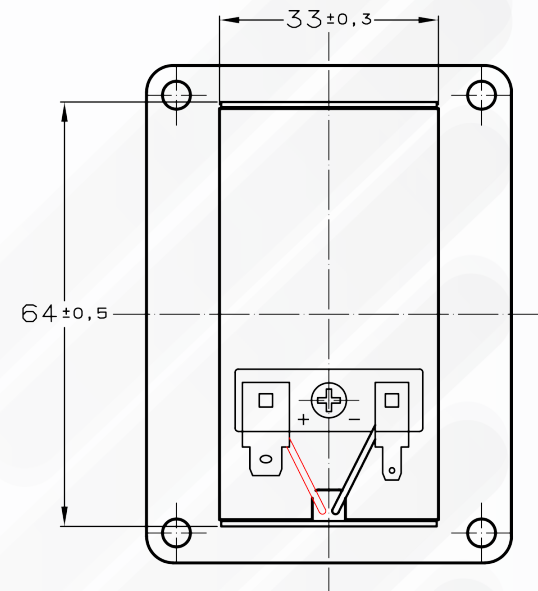
Dimensions



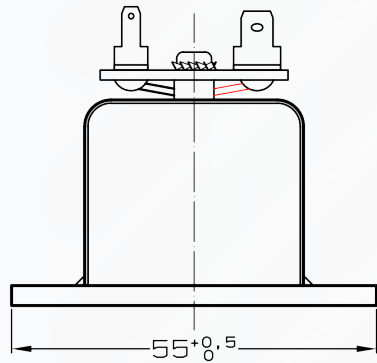
Front view



Sideview

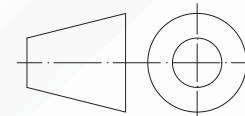


Rear view



Top view

	Dimensions	Tolerance
Length	75 mm	+ 0,5 mm
Width	55 mm	+ 0,5 mm
Depth including terminal	45 mm	+/- 1 mm



All measurements are in mm.