

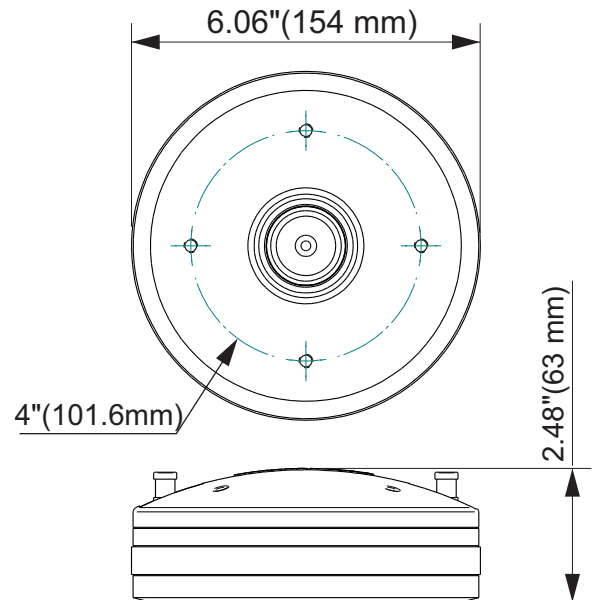
D4400Ti-Nd

Professional Compression Driver



KEY FEATURES

- 4" Voice coil and 2" exit
- 200 Watts continuous power handling
- 110 dB Sensitivity
- High Grade Titanium Diaphragm
- Light Weight Neodymium Magnet



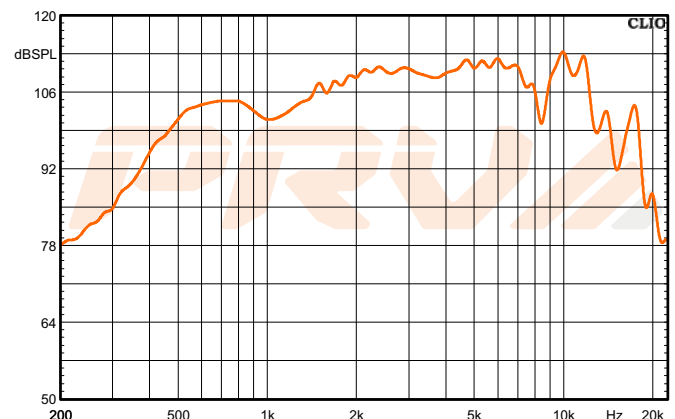
GENERAL SPECIFICATIONS

Exit Throat Diameter	2" (50 mm)
Nominal Impedance	8 Ohms
Rated Power Handling	200 Watts
Program Power	400 Watts
Sensitivity 2.83 V at 1m*	110 dB
Recommended High Pass Crossover**	1600 Hz***
for Full Power Handling	*12 db/oct Crossover
Frequency Response at -10dB	1,300-17,000Hz
Voice Coil Diameter	4" (101.6 mm)
Voice Coil Wire	CCAW
Voice Coil Former Material	Kapton®
Diaphragm Material	Titanium
Flux Density	1.90 T
Magnet Material	Neodymium

EXTRA INFO

Overall Diameter	6.06" (154 mm)
Overall Depth	2.48" (63 mm)
Mounting Bolt Circle	M6x4 4" (101.6 mm)
Net Weight	8.82 lbs (4.00 kg)
Shipping Weight	9.77 lbs (4.43 kg)
Carton Dimensions W x L x H	6.89" x 6.89" x 3.74" (175 x 175 x 95 mm)

Frequency Response Measured at 2.83V/1m



*Frequency Response Measured on WG14-50CR

PRV AUDIO USA (USA and Export) PRV AUDIO BRAZIL (Brazilian Sales Only)
 FORT LAUDERDALE, FL SAO LEOPOLDO, RS
 support@prvaudio.com vendas@pvaudio.com.br
 www.prvaudio.com www.pvaudio.com.br