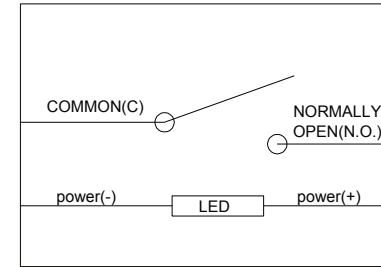
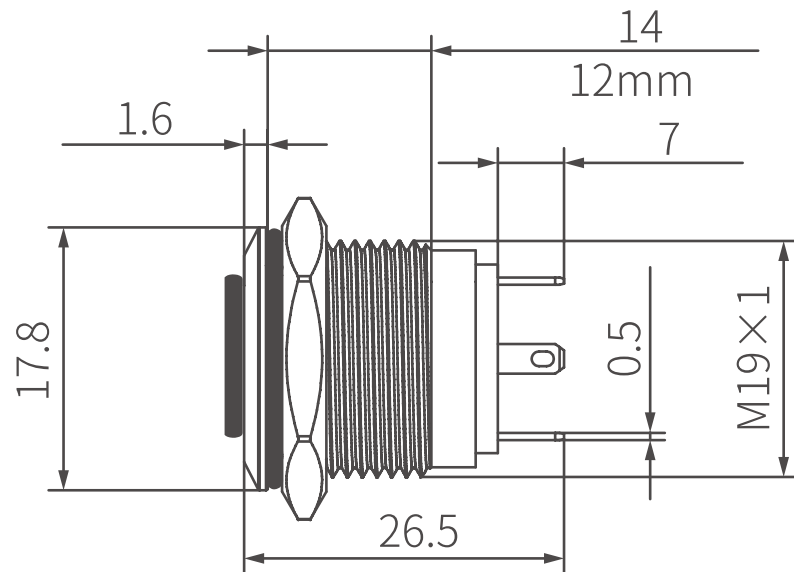


**Principal Diagram**



1. Voltage: 1.5V-250VAC/DC
2. Current: 3mA~5A
3. LED Voltage: 3V~220VAC/DC
4. LED Current: 3mA~20mA
5. LED Color: Red, Yellow, Blue, Green, White
6. Switch Function: Momentary
7. Operating Temperature: -30°C~+80°C
8. Operating Force: Appr. 2.5~3N
9. Connection Mode: 1NO
10. Installation Mode: Solder
11. Panel Mount Size: 19mm
12. IP Class: IP 67
13. Protection Class: IK 10
14. LED Life: 40,000 hours
15. Electrical Life: 50,000 Cycles
16. Mechanical Life: 250,000 Cycles
17. Contact Resistance: ≤50mΩ
18. Insulation Resistance: ≥1000mΩ
19. Dielectric Strength: 1900VACmin



RevNo	Revision note	Date	Signature	Checked	Approved	Designed by	Checked by	Approved by	Date	Scale			Edition
1:						AH	MG	MP	2/2021	None			A
2:						Part: 060-952						Unit	
3:												mm	
4:						Name: SPST NO Momentary 19mm Stainless Steel Tamper/Waterproof Raised Push Button Switch with Blue Ring						Sheet	
												1 of 1	