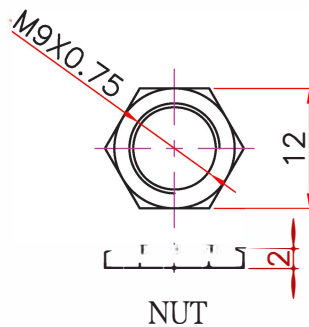
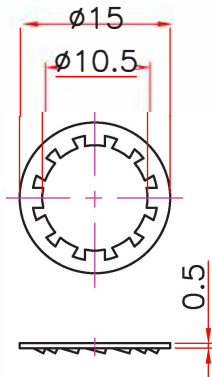


WASHER t=0.5



NUT

MECHANICAL SPEC.:

1. Angle: 300 \pm 5°
2. Rotational Torque: 50-300g/cm
3. Nut Fastening Strength: 10-12kgf cm
4. Rotational: 15000cycles min

ELECTRICAL SPEC.:

1. Rated power: DC 15W
2. Resistance Tolerance: \pm 20°
3. Residual Resistance: less than 0.3 ohm
4. Insulation Resistance over 100M ohm with DC500V put between the terminal and the shaft.
5. Withstanding Voltage: one minute against 50 HZ 500V put between the terminal and the shaft.
6. Temperature Range: from -10°~70°
7. Resistance Range: 8 ohm

RevNo	Revision note	Date	Signature	Checked	Approved	Designed by	Checked by	Approved by	Date	Scale		Edition
1:						AH	CP	BM	10/2020	None		
2:						Model: #260-248						Unit
3:						Name: L-Pad 15W Mono 3/8" Shaft 8 Ohm						mm
4:												Sheet
												1 of 1