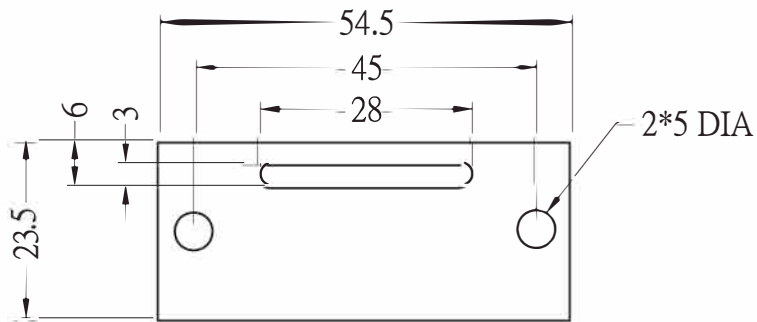
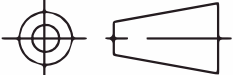


Gasket dimension



RevNo	Revision note	Date	Signature	Checked	Approved	Designed by	Checked by	Approved by	Date	Scale		Edition
						AH	CP	BM	2/2019	None		
Model: #260-300											Unit	
Name: Two Conductor Speaker Terminal											mm	
											Sheet	
											1 of 1	