

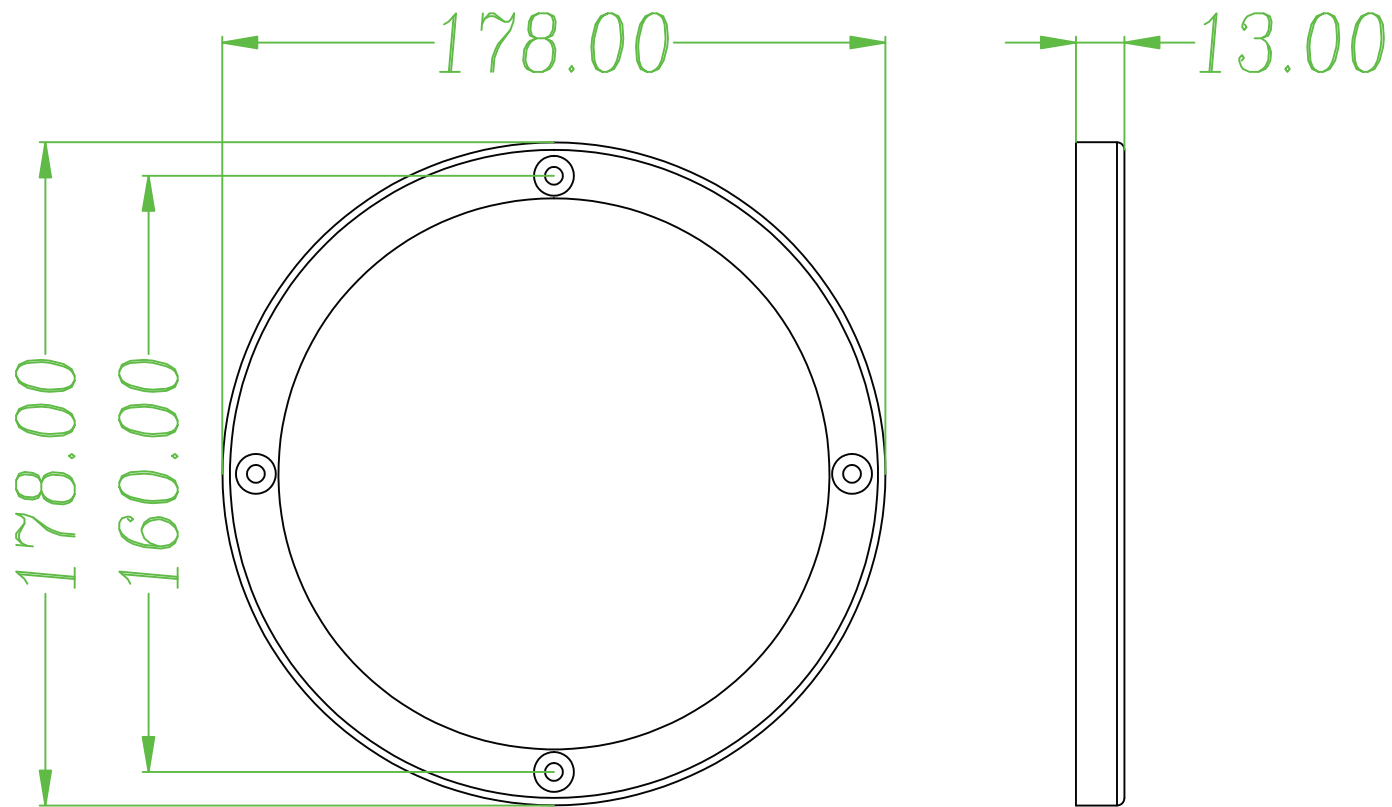




RevNo	Revision note	Date	Signature	Checked	Approved	Designed by	Checked by	Approved by	Date	Scale	 		Edition
1:						AH	CP	BM	2/2022	None			A
2:						Part: 260-422						Unit	
3:						Name: Steel Mesh 2-Piece Grill for 6-1/2" Speaker Black						mm	
4:												Sheet	
											1 of 2		



© Parts Express®

RevNo	Revision note	Date	Signature	Checked	Approved	Designed by	Checked by	Approved by	Date	Scale	 	Edition
1:						AH	CP	BM	2/2022	None		
2:						Part: 260-422					Unit	
3:						Name: Steel Mesh 2-Piece Grill for 6-1/2" Speaker Black					mm	
4:											Sheet	
											2 of 2	