
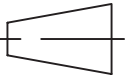
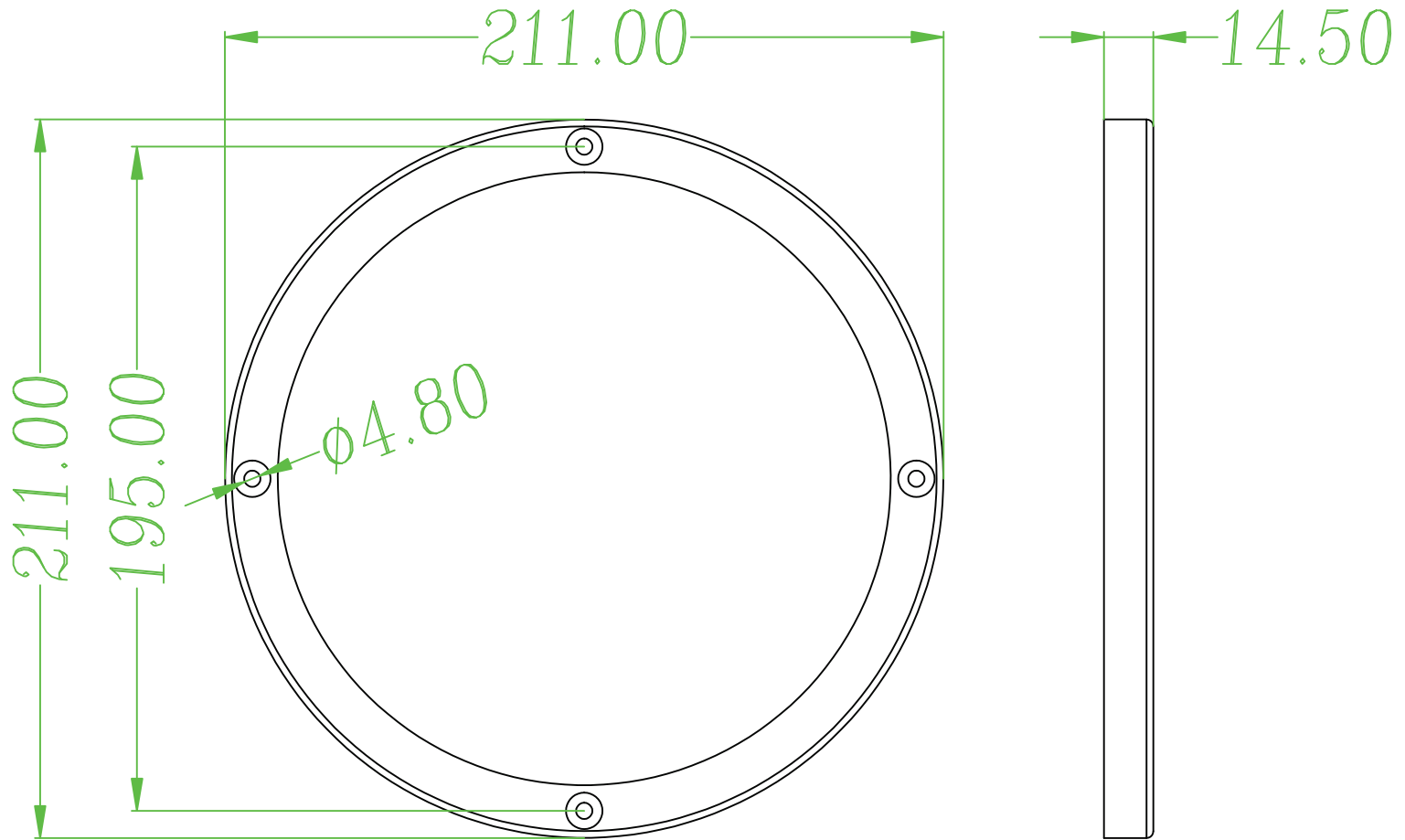


© Parts Express®

RevNo	Revision note	Date	Signature	Checked	Approved	Designed by	Checked by	Approved by	Date	Scale	 	Edition
1:						AH	CP	BM	2/2022	None		
2:						Part: 260-424					Unit	
3:						Name: Steel Mesh 2-Piece Grill for 8" Speaker Black					mm	
4:											Sheet	
											1 of 2	



© Parts Express®

RevNo	Revision note	Date	Signature	Checked	Approved	Designed by	Checked by	Approved by	Date	Scale			Edition
1:						AH	CP	BM	2/2022	None			A
2:						Part: 260-424						Unit	
3:						Name: Steel Mesh 2-Piece Grill for 8" Speaker Black						mm	
4:												Sheet	
													2 of 2