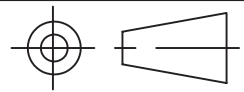
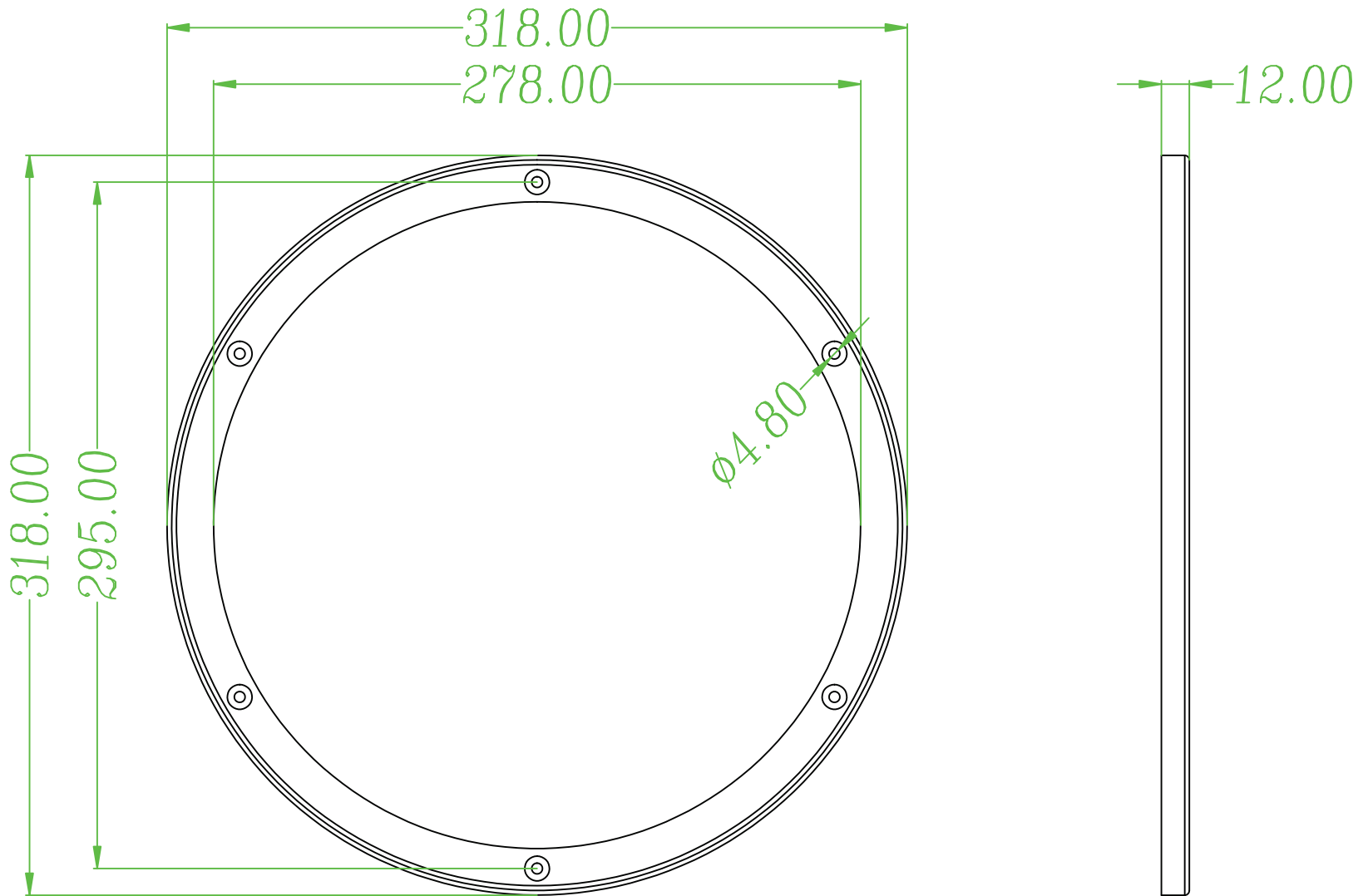


RevNo	Revision note	Date	Signature	Checked	Approved
1:					
2:					
3:					
4:					



Designed by	Checked by	Approved by	Date	Scale
AH	CP	BM	2/2022	None
Part: 260-428				
Name: Steel Mesh 2-Piece Grill for 12" Speaker Black				



Edition	Unit	Sheet
A	mm	1 of 2



© Parts Express®

RevNo	Revision note	Date	Signature	Checked	Approved	Designed by	Checked by	Approved by	Date	Scale	Edition		
1:						AH	CP	BM	2/2022	None			A
2:						Part: 260-428					Unit	F	
3:						Name: Steel Mesh 2-Piece Grill for 12" Speaker Black					mm		
4:											Sheet		
											2 of 2		