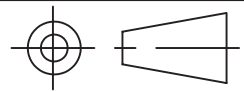
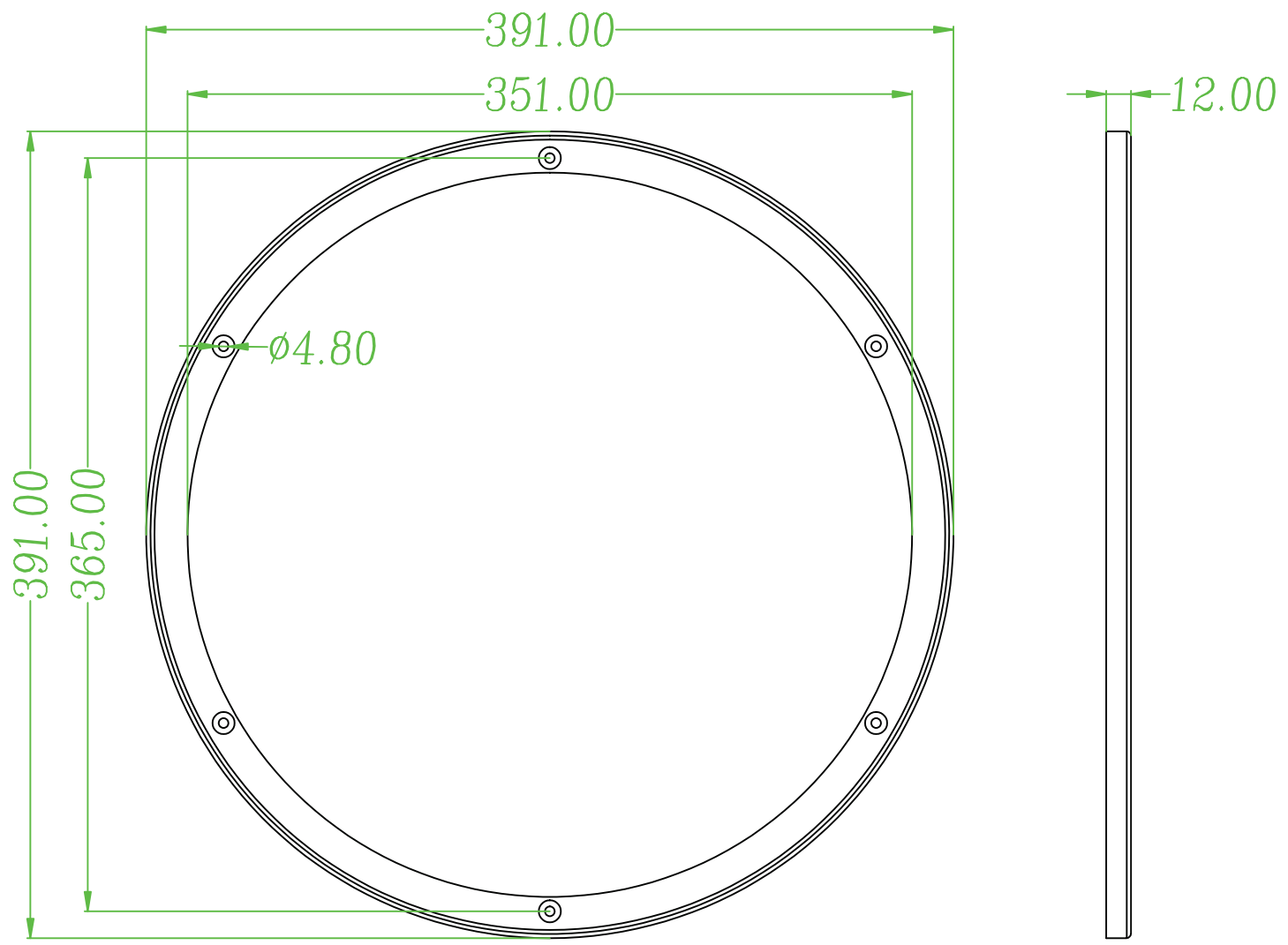


RevNo	Revision note	Date	Signature	Checked	Approved
1:					
2:					
3:					
4:					

Designed by	Checked by	Approved by	Date	Scale
AH	CP	BM	2/2022	None
Part: 260-430				
Name: Steel Mesh 2-Piece Grill for 15" Speaker Black				



Edition	Unit	Sheet
A	mm	1 of 2



RevNo	Revision note	Date	Signature	Checked	Approved	Designed by	Checked by	Approved by	Date	Scale			Edition
1:						AH	CP	BM	2/2022	None			A
2:						Part: 260-430						Unit	
3:						Name: Steel Mesh 2-Piece Grill for 15" Speaker Black						mm	
4:												Sheet	
													2 of 2