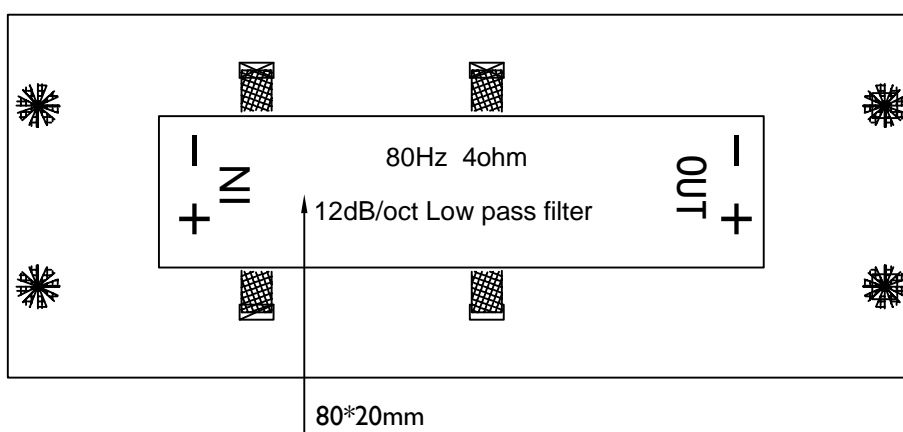
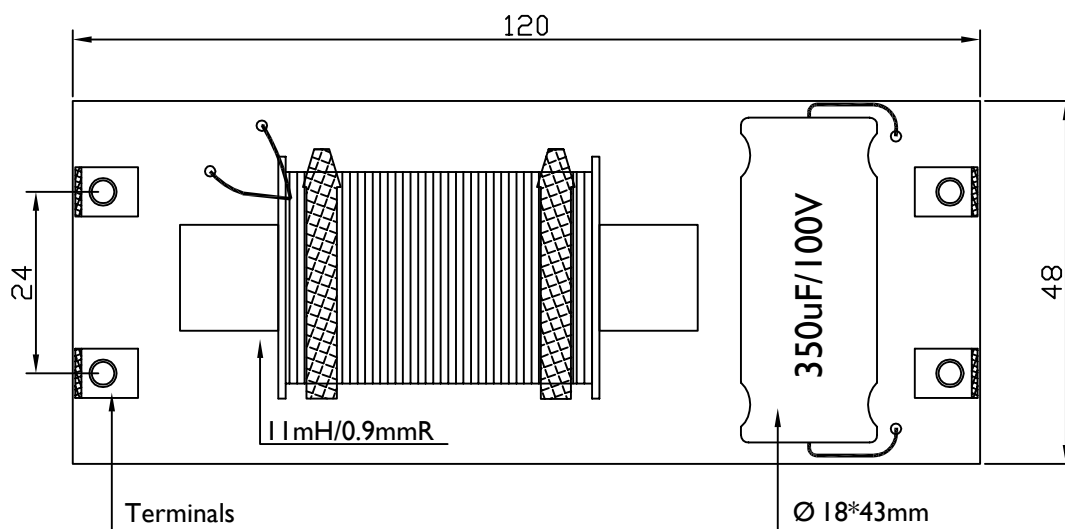
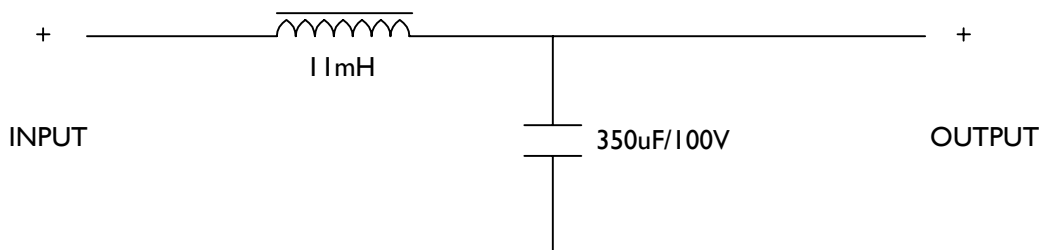


Schematics



| | | | | | | |
|---------|---------|----------|--|------------|-----------|-----------|
| Drawn | Checked | Approved | REV | AI.1 | Part no. | 266-440 |
| | | | Date | 2013.10.14 | Part name | CROSSOVER |
| youliam | | | <h1>R&A</h1> <p>Products: Inductor and Crossover</p> | | | |