

2 x 12” Guitar Cabinet Kit

Thank you for purchasing the 2 x 12” guitar cabinet kit. This kit was precision cut using CNC machinery for the best possible fit and finish. With a little time and patience, your finished product will provide years of enjoyment. Please follow these instructions for the best possible results.

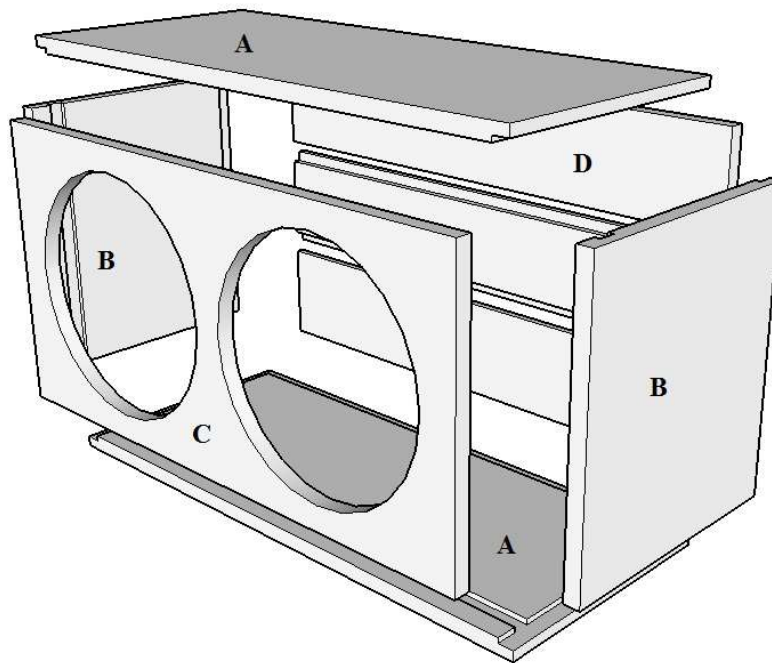
Suggested tools and consumables:

Wood clamps (you can never have too many of these)
Sanding block and/or electric finishing sander
Wood glue
Damp cloth or paper towels

Package contents:

First, empty the contents of the package and review parts to ensure everything has been included and is in good condition. If any parts are missing or damaged please contact our customer service department at 1-800-338-0531.

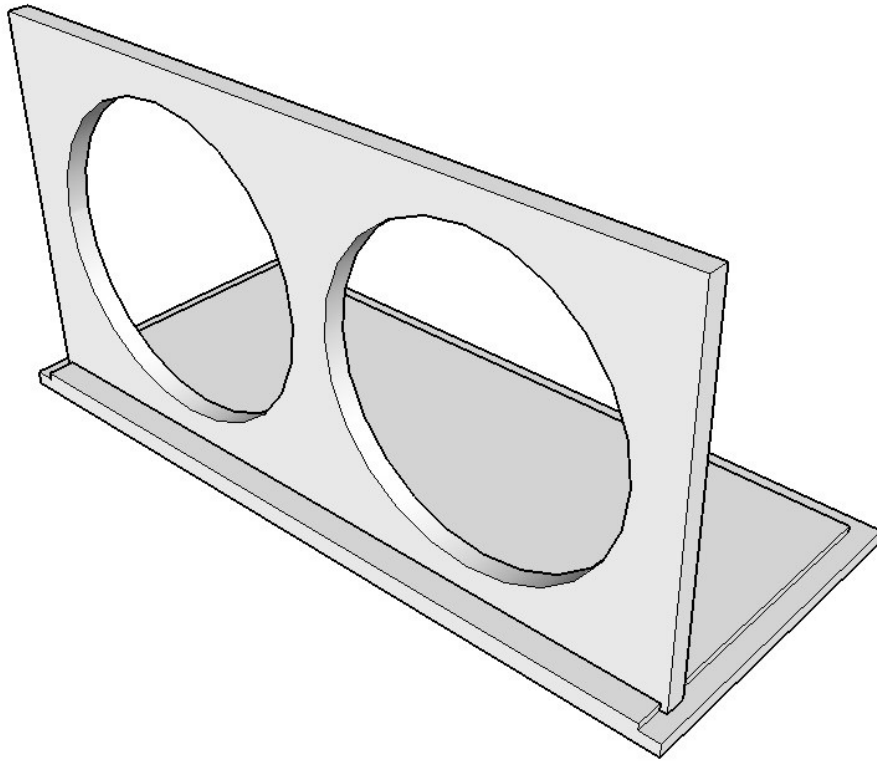
Enclosure:



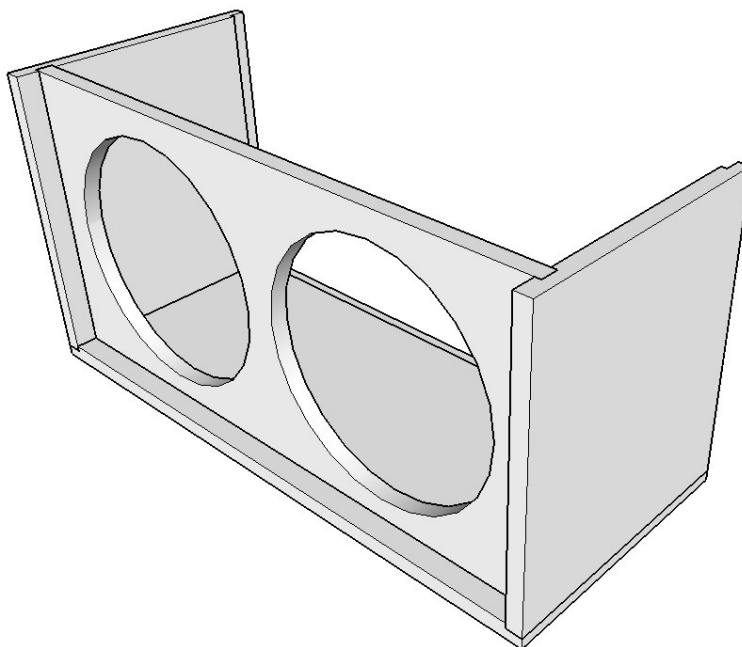
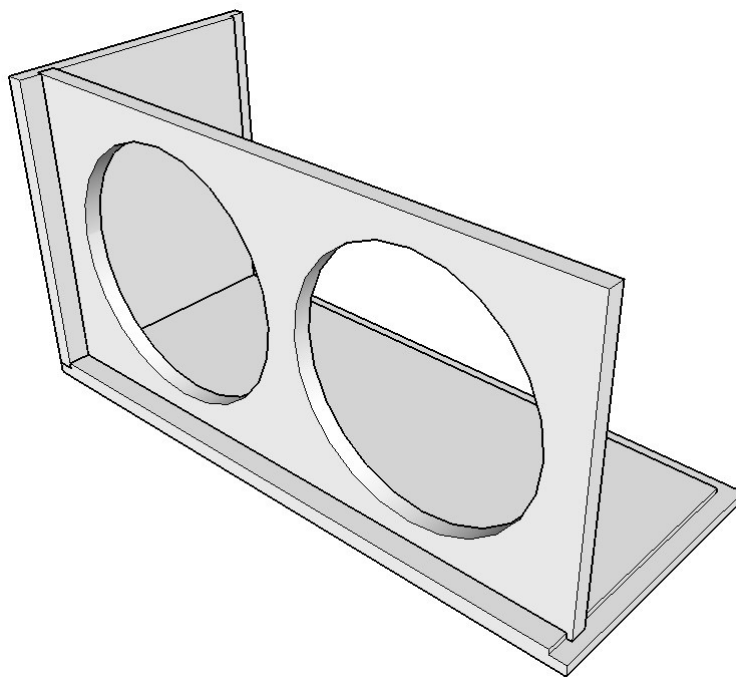
- A) 2 x Top and Bottom Panels
- B) 2 x Side Panels
- C) 1 x Front Baffle
- D) 3 x Modular Rear Panels

Enclosure Assembly:

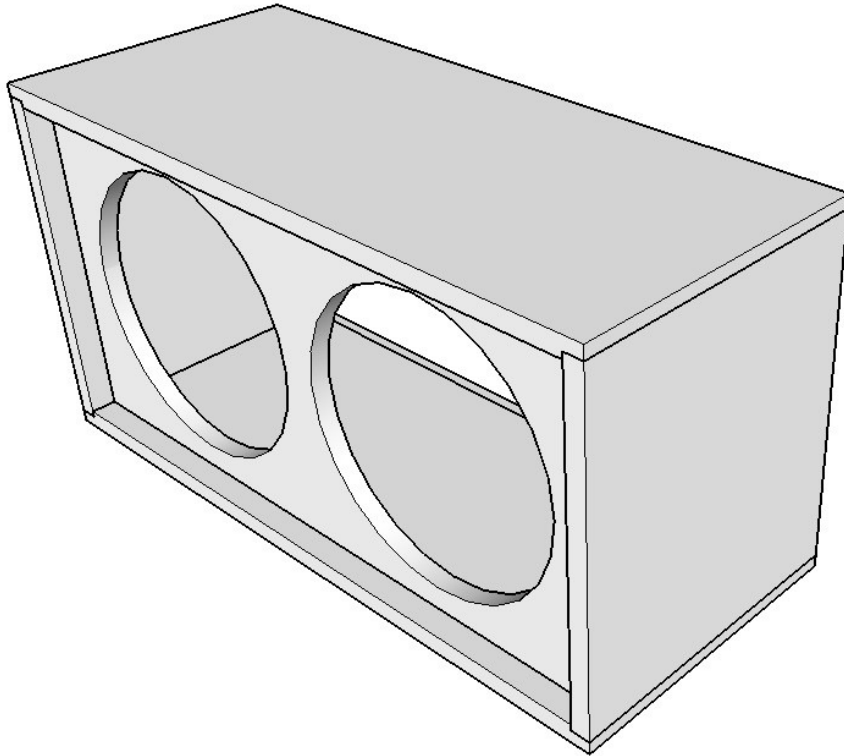
- 1) First, set the enclosure parts out on a flat level surface and ensure that all pieces are free of dust and debris.
- 2) With the bottom panel lying flat, place glue in the dado cut on the bottom panel where the baffle will rest. Install the front baffle in place as shown below.



- 3) Before the glue dries, glue and install the two sides as shown. These will ensure the front baffle is aligned properly.



- 4) Next, glue and install the top panel as shown below.



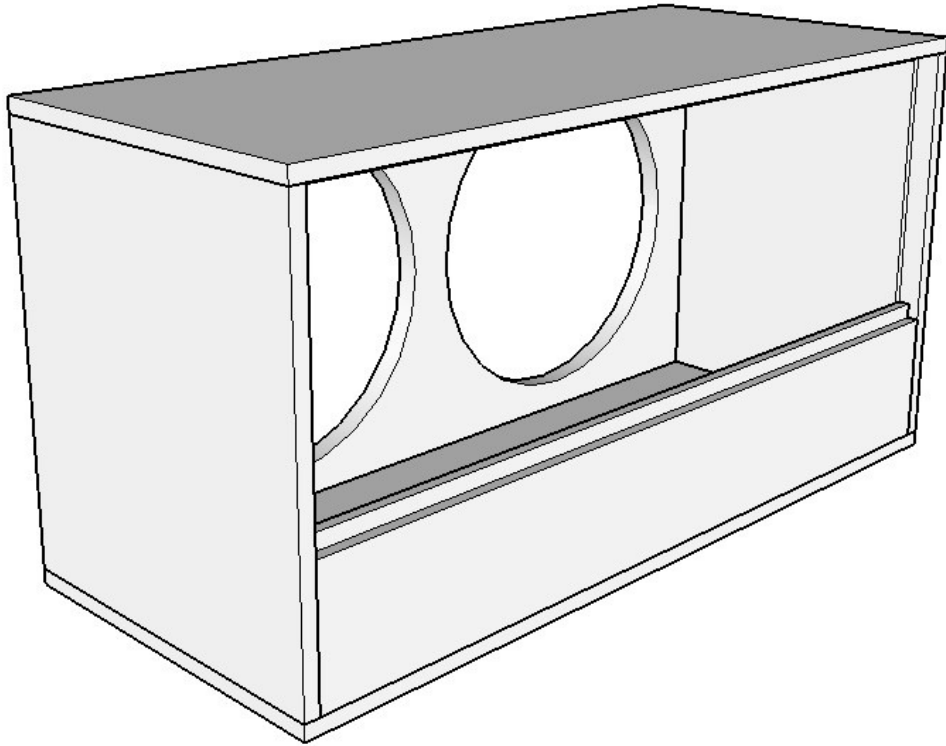
- 5) Clamp and allow these pieces to dry per the glue manufacturers recommendations. Use a wet paper towel or rag to wipe off any excess glue.

Back Panel Installation

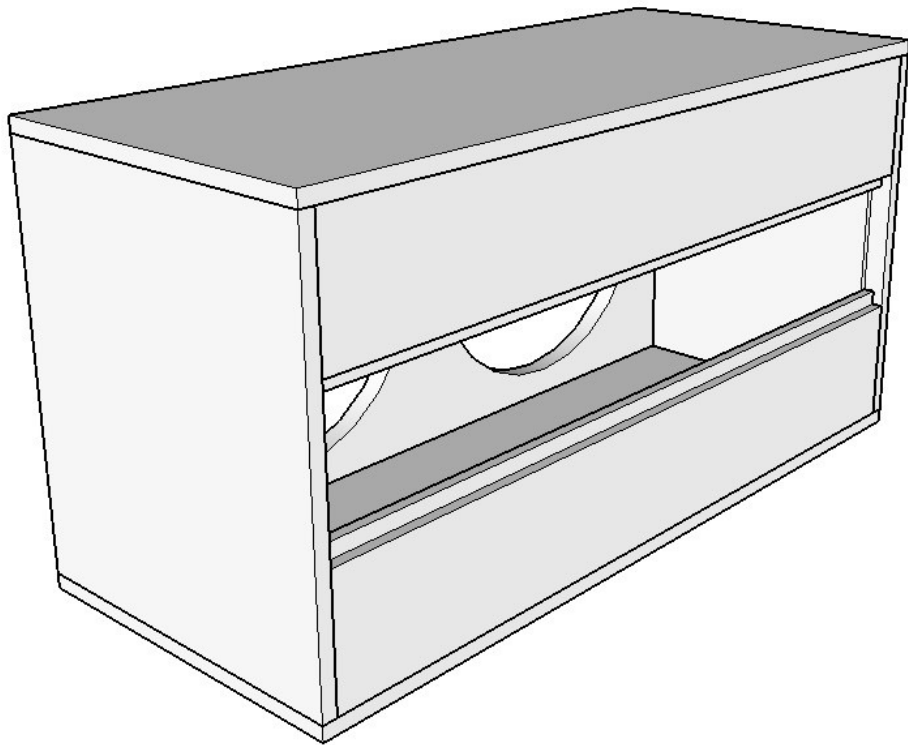
The back panels of this cabinet are modular. This means you can install one, two or all three panels depending on the type of sound you want. With one or two panels installed it will act as an open back cabinet which some people may prefer. With all three panels installed it will be a closed cabinet. The center back panel can also be removable if you want the option to change your sound for different applications.

We recommend gluing the top and bottom rear panels in place and leaving the center out if you would like an open backed cabinet design. The top and bottom panels will help with overall cabinet strength if you choose to put heavy objects on top of it.

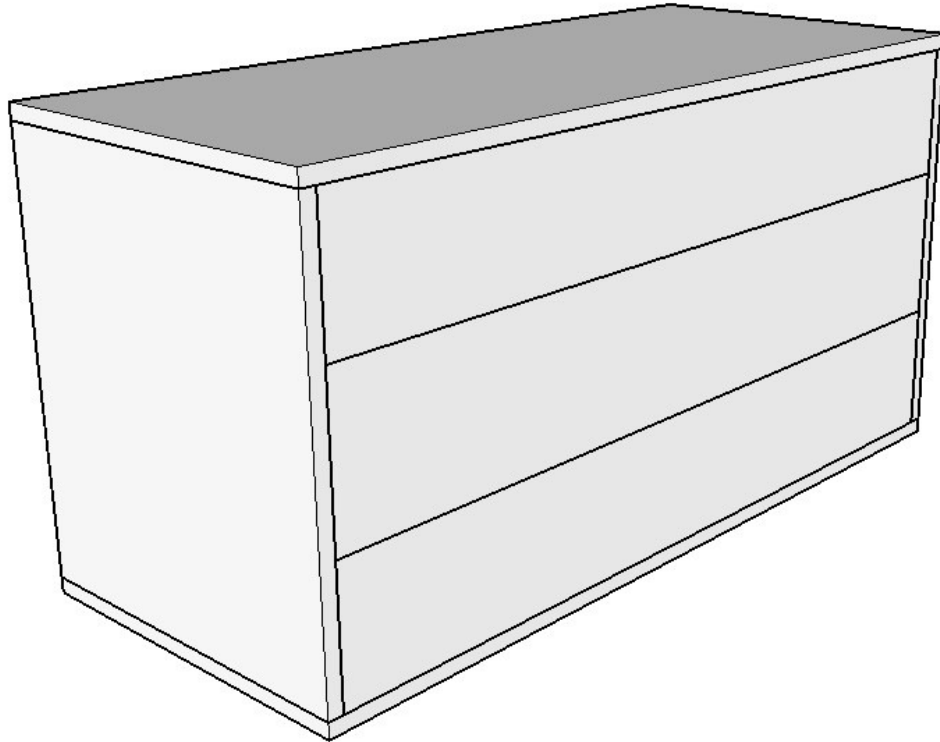
If you choose to have a removable center panel, we recommend adding no less than eight (8) #6 x 3/4" wood screws ([our part # 081-435](#)) along both the top and bottom lips of the panel to hold it in place. We also recommend adding some gasketing tape ([our part number 260-542](#)) inside the rabbet cuts of the center panel to maintain a tight seal when in use. When you want to remove the panel, simply remove the screws and pop it out.



Rear View, Open Back Example 1



Rear View, Open Back Example 2



Rear View, Closed Back

- 6) Once you have determined which back panel arrangement you would like, glue and clamp the pieces in place and allow to dry per the manufacturers recommendations.
Note: Be aware that these three panels are cut differently. The top and bottom panels are the same and are cut with a single rabbet along one edge. The center panel has rabbets along the top and bottom edges. We recommend dry fitting these in place before gluing to become familiar with proper fitment.
- 7) Once the glue is dried, sand all overhanging edges flush and finish to your liking. This cabinet is designed to work with most 12" guitar speakers on the market. Once you have chosen your speakers you will need to add a connector of your choice to the cabinet in order to connect them to your amplifier. Common connector types for this are 1/4" and Speakon.
- 8) You are now ready to enjoy your 2 x 12" guitar speaker cabinet!

