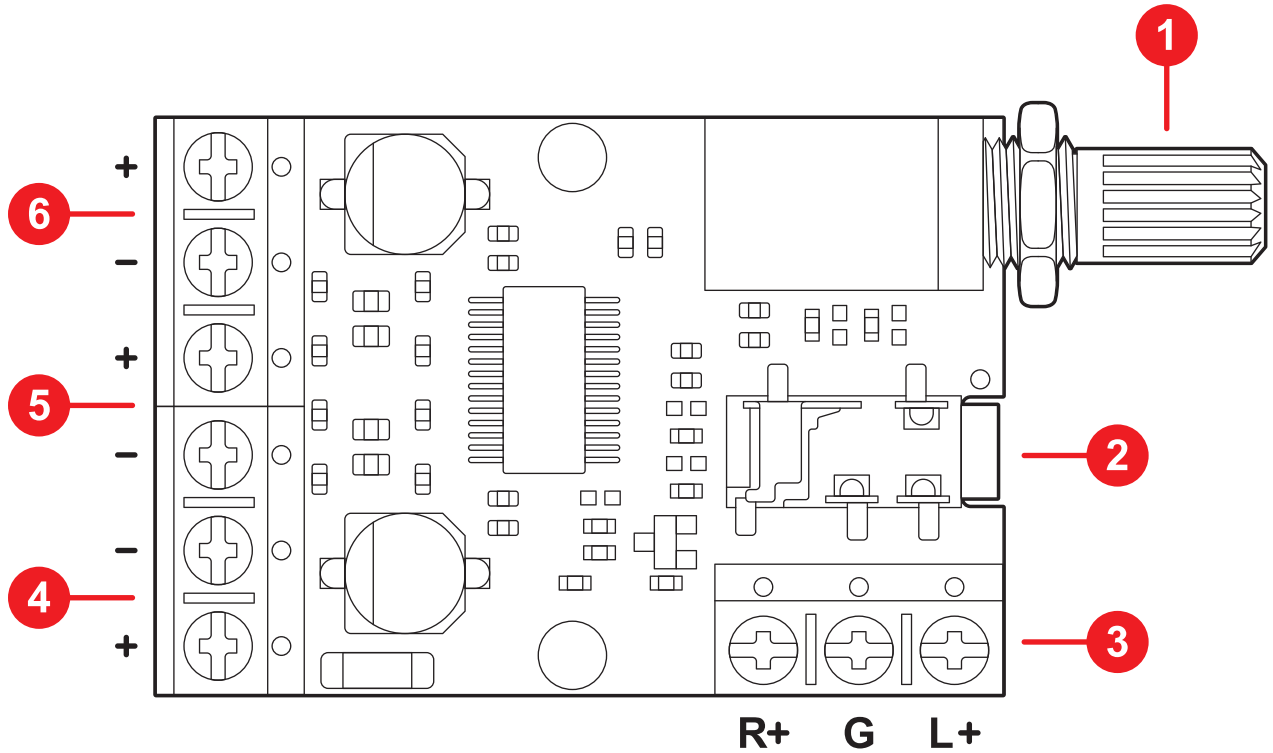


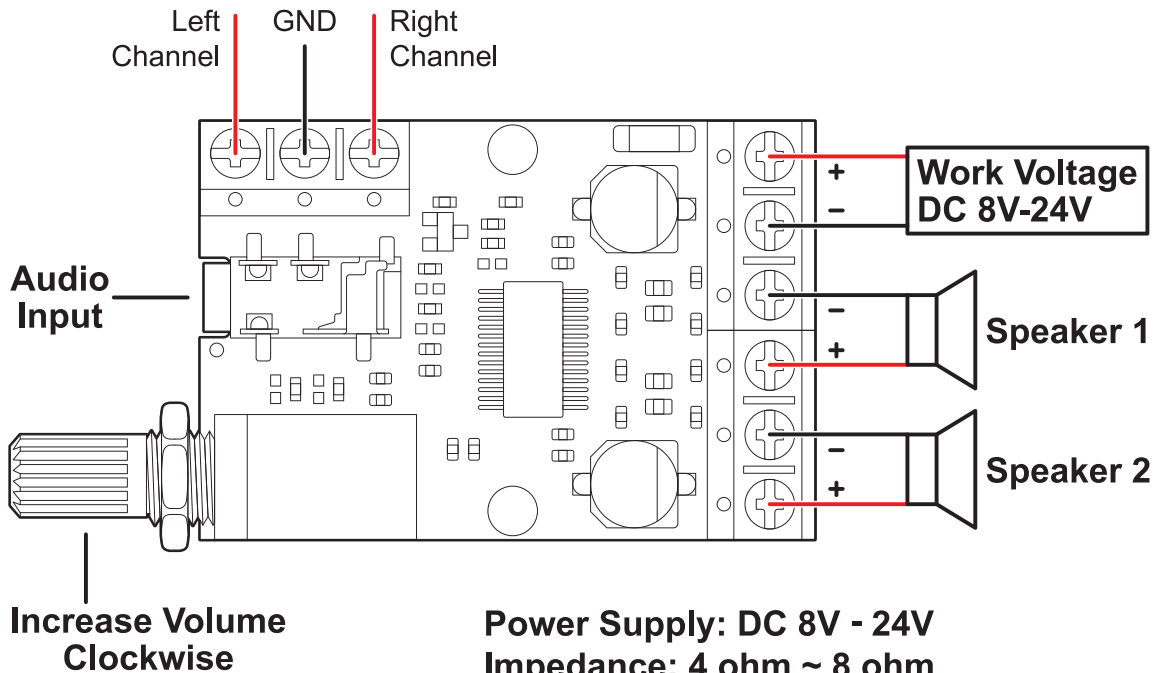
# 2 x 30W High-Power Amplifier Board with On/Off Volume Switch

## Quick Reference Guide



- |                             |                                    |                         |
|-----------------------------|------------------------------------|-------------------------|
| 1. Volume and On/Off Switch | 3. Alt. Line Input Screw Terminals | 5. Left Speaker Output  |
| 2. 3.5 mm Line Input Jack   | 4. 8 to 24 VDC Input               | 6. Right Speaker Output |

### Audio Input



**Power Supply: DC 8V - 24V**  
**Impedance: 4 ohm ~ 8 ohm**  
**Speaker: 30W - 360W**