

Model No.: H26TG45-06  
 Product Line: Tymphany

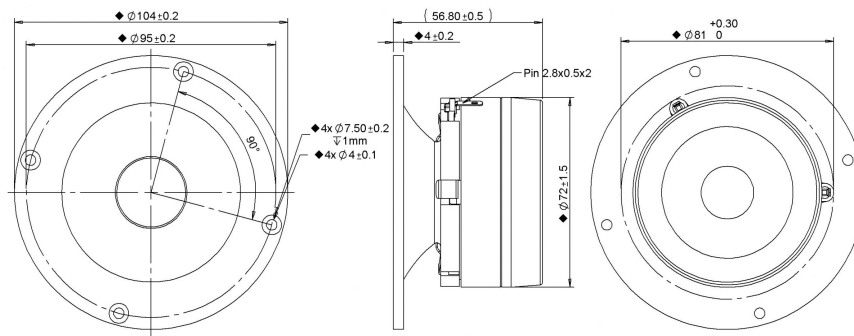
Rev: 1  
 Last Update: 2017-04-25 21:32:09

## Product Description

This H family tweeter features a 25 mm 6 ohm voice coil, a treated silk dome, a large rear chamber for low resonant frequency, and a ferrofluid-cooled ferrite motor. The large motor and rear chamber allows for robust power handling capacity. The tweeter comes with a faceplate with recessed mounting holes, for easy installation into the desired application. The faceplate has a horn geometry for increased sensitivity.



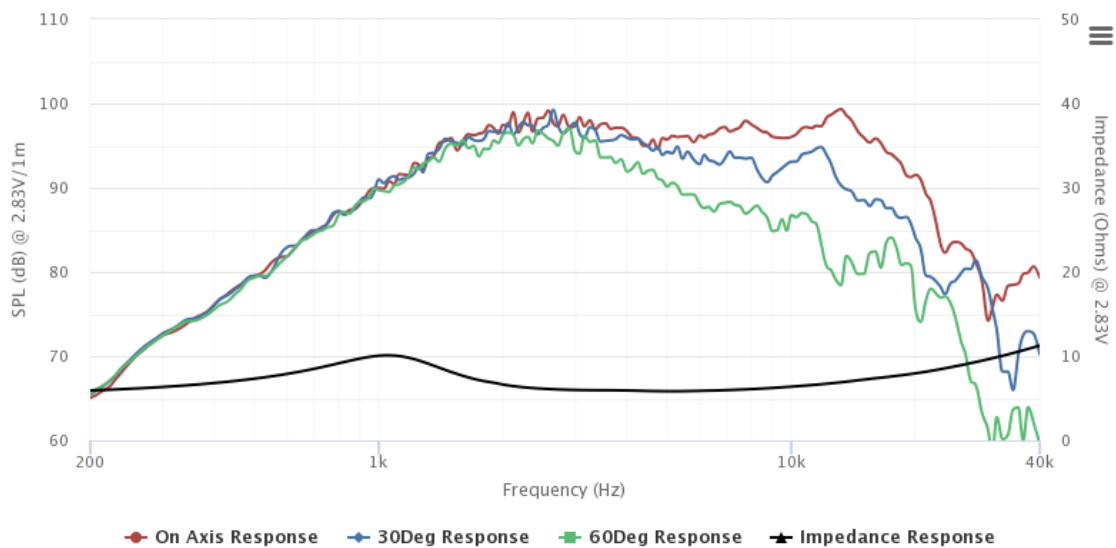
## Mechanical Drawing



## Specifications

DC Resistance	Revc	Ohms	4.69	5.0%	Energy Bandwidth Product	EBP	$(1/Q_{es}) \cdot f_s$	
Minimum Impedance	Zmin	Ohms	5.84	7.5%	Moving Mass	Mms	g	0.4
Voice Coil Inductance	Le	mH	0.02		Suspension Compliance	Cms	um/N	67.7
Resonant Frequency	Fs	Hz	1018.82	15%	Effective Cone diameter	D	cm	3
Mechanical Q Factor	Qms		0.98		Effective Piston Area	Sd	cm <sup>2</sup>	7.1
Electrical Q Factor	Qes	1.13			Effective Volume	Vas	L	0.01
Total Q Factor	Qts	0.53			Motor Force Factor	BL	Tm	3.1
Ratio Fs/Qts	F	Fs/Qts	1940.6		Motor Efficiency Factor	$\beta$	$(T \cdot M^2) / \text{Ohms}$	2
Half Space Sensitivity @2.83V	db@2.83V/1M	dB	95.98	+/- 1.0db	Voice coil former Material	VCfm		ASV
Half Space Sensitivity @1W/1M	db@1W/1M	dB	94.6	+/- 1.0db	Voice coil inner diameter	VCd	mm	25.79
Gap Height	Gh	mm	2.5		Rated Noise Power	P	W	100
Maximum Linear Excursion	Xmax	mm	0.5		Test Spectrum Bandwidth		2.5KHz-20KHz	
Ferrofluid Type	FF				Driver Size	Inch	25 mm	
Driver Mass	Kg	0.53						

## Frequency and Impedance Response



Highcharts.com