

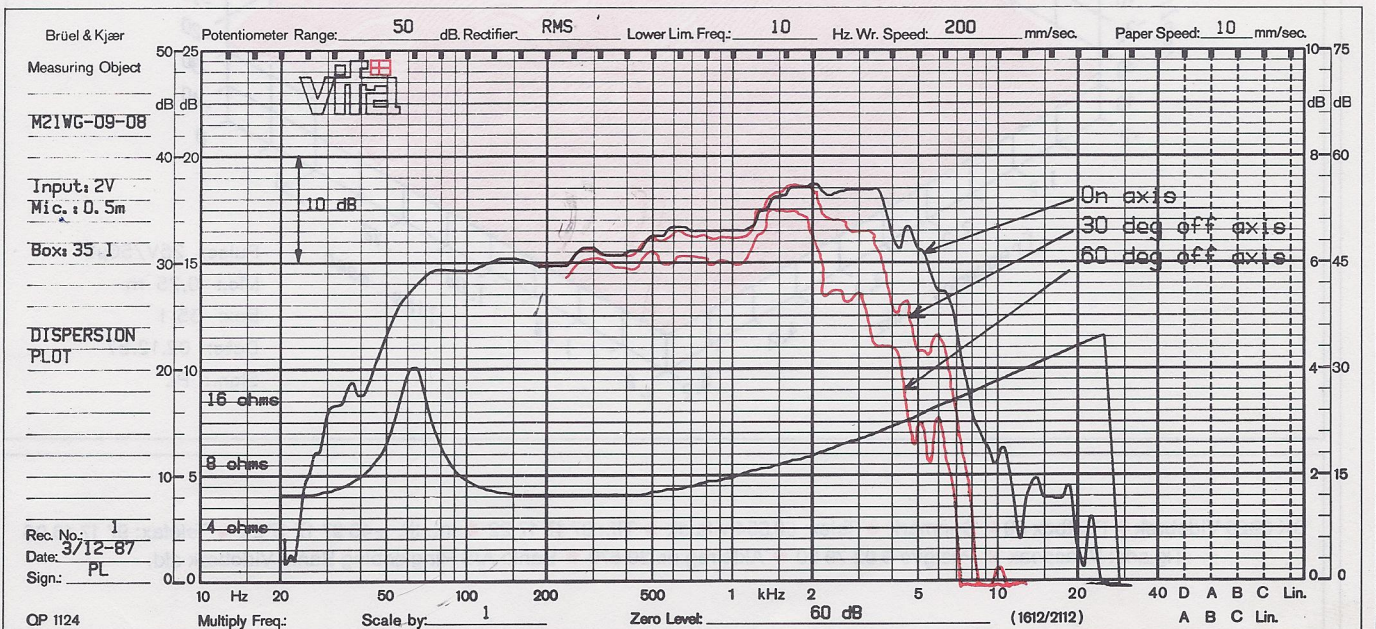
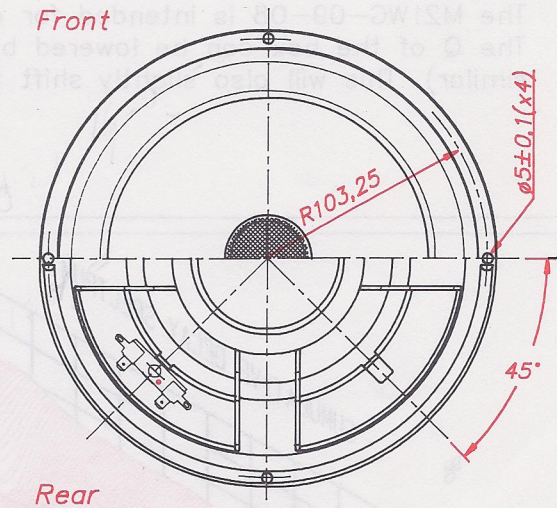
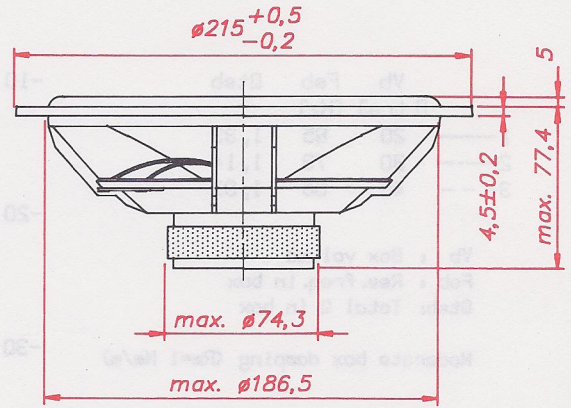
## 8" WOOFER

### SPECIAL FEATURES:

- MAGNESIUM BASKET
- SPECIAL PULP PAPER CONE
- SUITED FOR 2- AND 3-WAY SYSTEMS
- BLACK COATED CONE

NOMINAL IMPEDANCE	8 Ω
NOMINAL POWER (IEC 268-5)	50 W
MUSIC POWER (DIN 45.500)	70 W
FREQUENCY RANGE	38-4000 Hz
SENSITIVITY (1W, 1m)	90 dB
EFFECTIVE CONE AREA	231 cm <sup>2</sup>
VOICE COIL RESISTANCE	5,6 Ω
VOICE COIL INDUCTANCE	0,9 mH
OPERATING POWER	4 W
VOICE COIL DIAMETER	25 mm
VOICE COIL HEIGHT	12 mm
AIR GAP HEIGHT	6 mm
FREE AIR RESONANCE	38 Hz
MOVING MASS (incl. air)	16,5 g
FORCE FACTOR, B x l	5,2 Txm
MAGNET WEIGHT	(8,5 oz) 240 g
Qms	4,9
Qes	0,82
Qts	0,7
Vas	81 ltr

## M21WG-09-08



# M21WG-09-08

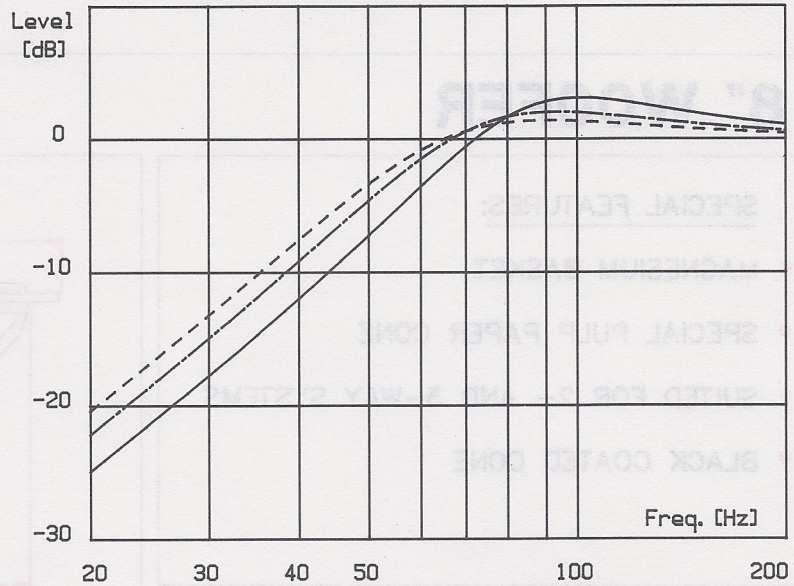
# Applications

## CLOSED BOX SYNTHESIS

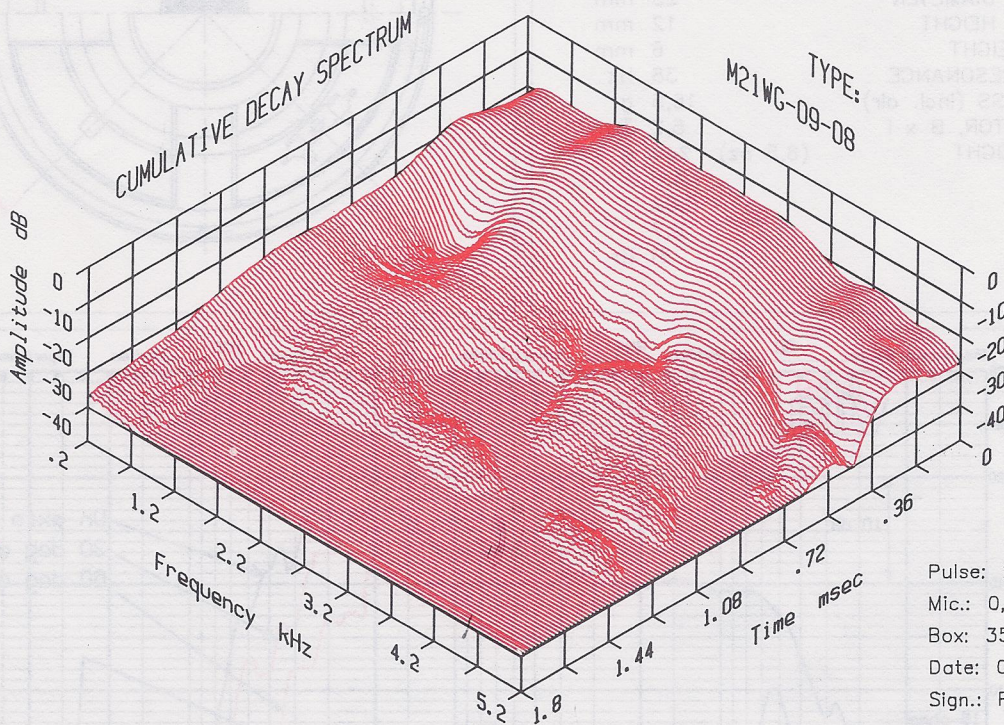
	Vb [Ltrs]	F <sub>eb</sub> [Hz]	Q <sub>tsb</sub>
1—	20	85	1,33
2---	30	73	1,14
3---	40	66	1,03

Vb : Box volume  
 F<sub>eb</sub> : Res. freq. in box  
 Q<sub>tsb</sub> : Total Q in box

Moderate box damping (R<sub>m</sub>=1 Ns/m)



The M21WG-09-08 is intended for a closed box of 20-40 litres.  
 The Q of the box can be lowered by adding damping material (glass wool or similar). This will also slightly shift the resonance frequency downwards.



Pulse: 25V/50µS  
 Mic.: 0,25 m  
 Box: 35 l  
 Date: 02.12.87  
 Sign.: PL