

Driver Specification Sheet

Model No.: SLS-P830946
 Product Line: Peerless

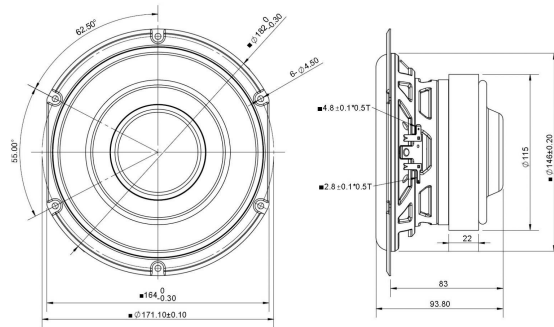
Rev: 1
 Last Update: 2017-04-25 21:32:09

Product Description

The SLS line combines high quality performance with an affordable design. This 6.5 inch 4 ohm member of the SLS family features a rigid steel basket, a paper cone, and a ferrite magnet motor with aluminium shorting ring for improved distortion performance.



Mechanical Drawing



Specifications

DC Resistance	Revc	Ohms	2.73	5.0%	Energy Bandwidth Product	EBP	(1/Qes)*fs	
Minimum Impedance	Zmin	Ohms	3.64	7.5%	Moving Mass	Mms	g	35.3
Voice Coil Inductance	Le	mH	0.65		Suspension Compliance	Cms	um/N	466.7
Resonant Frequency	Fs	Hz	42.18	15%	Effective Cone diameter	D	cm	12.54
Mechanical Q Factor	Qms		4.92		Effective Piston Area	Sd	cm^2	123.5
Electrical Q Factor	Qes		0.38		Effective Volume	Vas	L	11.2
Total Q Factor	Qts		0.35		Motor Force Factor	BL	Tm	8.27
Ratio Fs/Qts	F	Fs/Qts	119.16		Motor Efficiency Factor	β	(T*M^2)/Ohms	25.1
Half Space Sensitivity @2.83V	db@2.83V/1M	dB	86.7	+/- 1.0db	Voice coil former Material	VCfm		GSV
Half Space Sensitivity @1W/1M	db@1W/1M	dB	83.3	+/- 1.0db	Voice coil inner diameter	VCd	mm	38.44
Gap Height	Gh	mm	8		Rated Noise Power	P	W	75
Maximum Linear Excursion	Xmax	mm	8.2		Test Spectrum Bandwidth		20Hz - 1kHz	
Ferrofluid Type	FF				Driver Size	Inch	6.5 in	
Driver Mass	Kg		2.4					

Frequency and Impedance Response



Highcharts.com