

Model No.: XT19TD00-04  
 Product Line: Tymphany

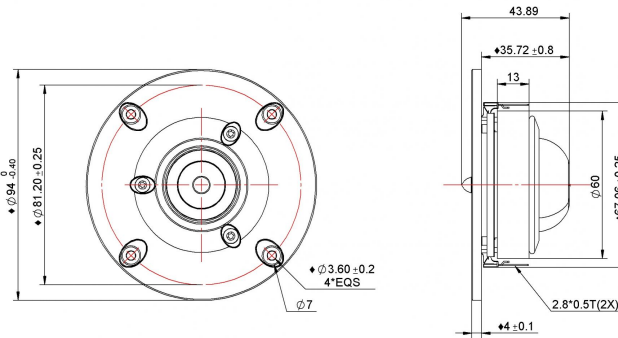
Rev: 1  
 Last Update: 2017-03-03 09:00:02

## Product Description

This member of the XT tweeter family utilizes two Tymphany technologies to deliver exceptional sound quality: the ring radiator patent, and the central waveguide patent. This model features a 4 ohm 19 mm voice coil, mounted in a ferrite magnet motor. The tweeter also features a rear chamber to create extended low frequency response. The faceplate features recessed mounting holes which minimizes reflections off of mounting screws.



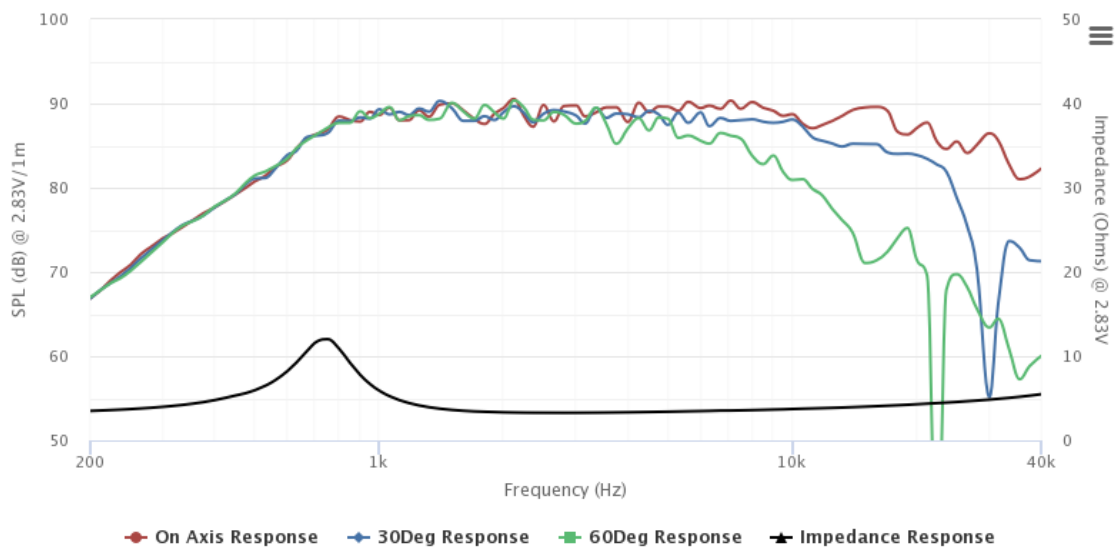
## Mechanical Drawing



## Specifications

DC Resistance	Revc	Ohms	2.86	5.0%	Energy Bandwidth Product	EBP	(1/Qes)*fs	
Minimum Impedance	Zmin	Ohms	3.28	7.5%	Moving Mass	Mms	g	0.2
Voice Coil Inductance	Le	mH	0.01		Suspension Compliance	Cms	um/N	211.2
Resonant Frequency	Fs	Hz	762.77	15%	Effective Cone diameter	D	cm	2.5
Mechanical Q Factor	Qms		3.05		Effective Piston Area	Sd	cm <sup>2</sup>	4.9
Electrical Q Factor	Qes	0.83			Effective Volume	Vas	L	0.01
Total Q Factor	Qts	0.65			Motor Force Factor	BL	Tm	1.85
Ratio Fs/Qts	F	Fs/Qts	1171.69		Motor Efficiency Factor	β	(T*M <sup>2</sup> )/Ohms	1.2
Half Space Sensitivity @2.83V	db@2.83V/1M	dB	89.13	+/- 1.0db	Voice coil former Material	VCfm		ASV
Half Space Sensitivity @1W/1M	db@1W/1M	dB	85.2	+/- 1.0db	Voice coil inner diameter	VCd	mm	19.3
Gap Height	Gh	mm	2.5		Rated Noise Power	P	W	120
Maximum Linear Excursion	Xmax	mm	0.4		Test Spectrum Bandwidth		700Hz - 20kHz	
Ferrofluid Type	FF				Driver Size	Inch	19 mm	
Driver Mass	Kg	0.32						

## Frequency and Impedance Response



Highcharts.com